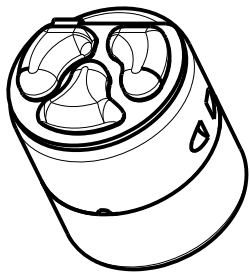
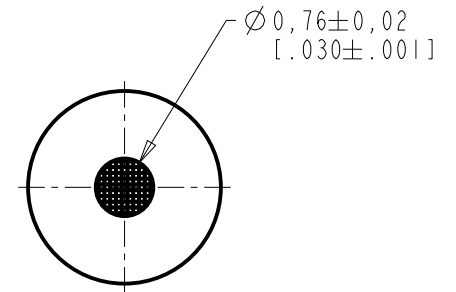
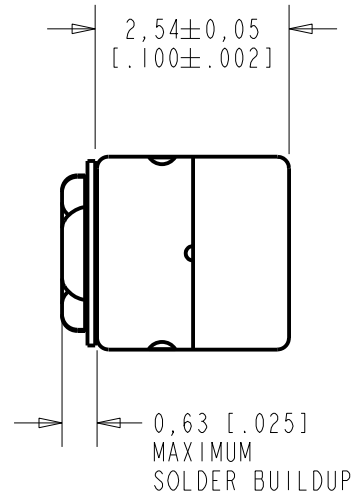
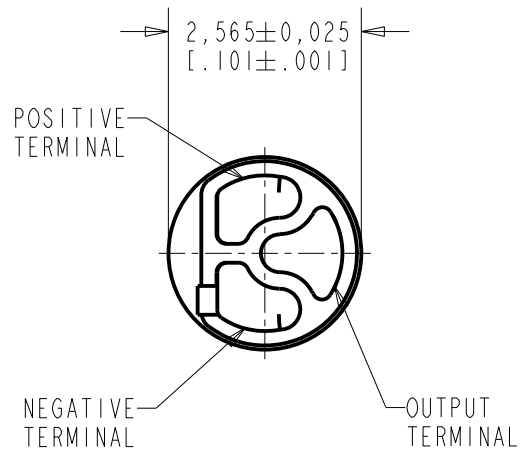


FG-23329-D65
SHT 1.1

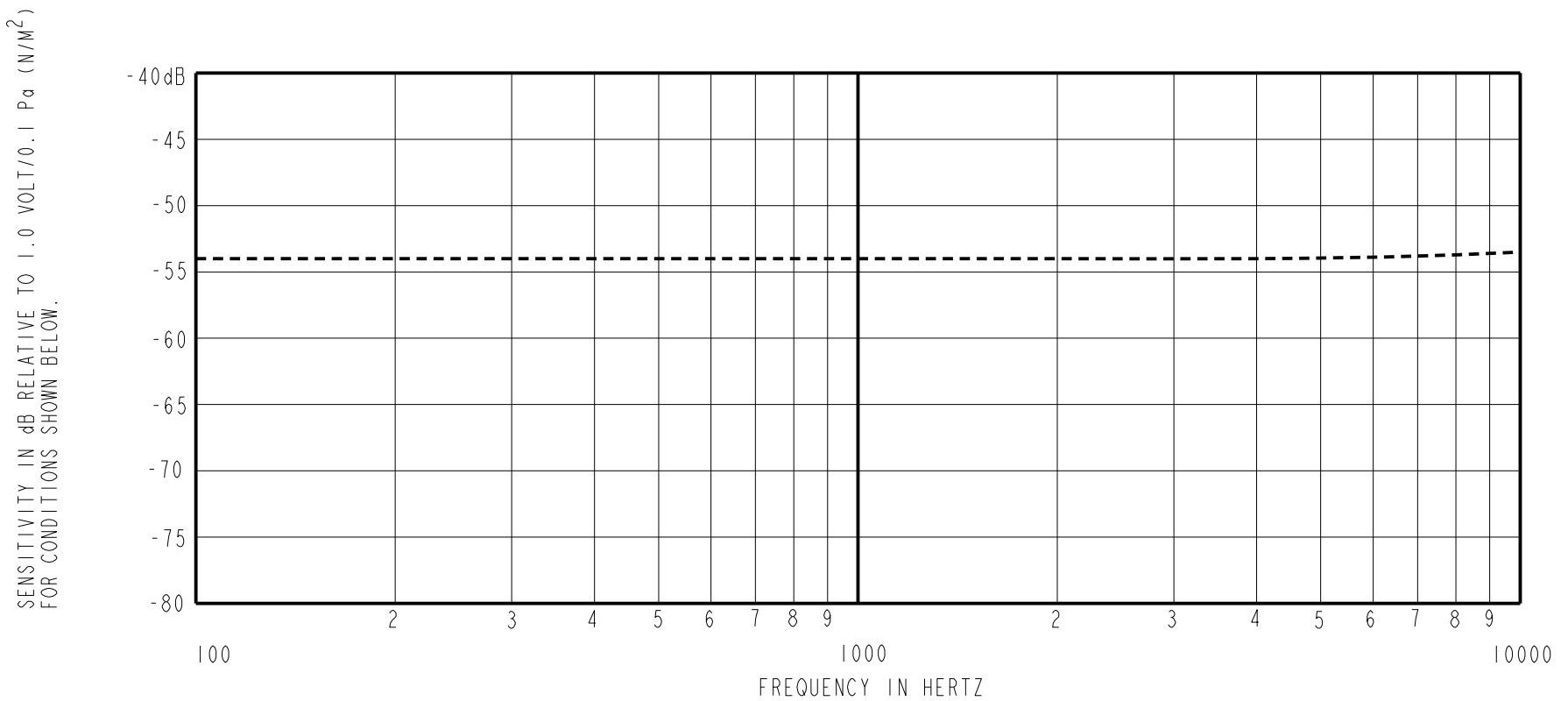


DIMENSIONS IN MILLIMETERS [INCHES]

| Revision | C.O. # | Implementation Date | RELEASE LEVEL | REVISION |
|----------|-----------|---------------------|---------------|----------|
| F | MI0104840 | 10-10-12 | Active | F |
| E | MI0104555 | 5-2-12 | | |
| D | MI0104496 | 2-14-12 | | |

| | | | |
|--------------------------|---------------------|--------------|---------------|
| SCALE: 10:1 | | DR. BY: SDZ | DATE: 7-27-09 |
| DO NOT SCALE DRAWING | | CK. BY: GJP | DATE: 7-27-09 |
| TITLE: MICROPHONE | FG-23329-D65 | APP. BY: GJP | DATE: 7-27-09 |
| OUTLINE DRAWING | | SHT 1.1 | |

KNOWLES ELECTRONICS
ITASCA, ILLINOIS U.S.A.



| FREQUENCY | SENSITIVITY | | | DEVICE CONFORMITY | |
|-----------|-------------|-------|-------|------------------------------|------|
| | MIN. | NOM. | MAX. | RANGE OF DEVIATION FROM 1KHz | |
| 100 | --- | -54.0 | --- | -3.0 | +3.0 |
| 1000 | -57.0 | -54.0 | -51.0 | 0.0 | 0.0 |
| 10000 | --- | -53.5 | --- | -3.0 | +4.0 |

- NOTES: 1. CASE CONNECTED TO NEGATIVE TERMINAL.
2. MICROPHONE TO BE FUNCTIONAL WITH 3.0 VDC SUPPLY.
3. TYPICAL SENSITIVITY TO HUMIDITY AT 1000Hz IS 0.06 dB/%RH
4. SENSITIVITY AND NOISE VALUES INDICATED ON THIS SPECIFICATION ARE VALID AT 50% HUMIDITY.

| DC SUPPLY | AMPLIFIER CURRENT DRAIN | SENSITIVITY CHANGE ON CHANGING SUPPLY TO 0.9VDC AND 3.0 VDC | "A" WEIGHTED NOISE (1 kHz EQUIV. SPL) | OUTPUT IMPEDANCE OHMS | | |
|-----------|-------------------------|---|---------------------------------------|-----------------------|------|------|
| | | | | MIN. | NOM. | MAX. |
| 1.3V | 50 μ A MAX. | 3 dB MAX. | 30.0 dB MAX. | 2800 | 4400 | 6800 |

| Revision | C.O. # | Implementation Date | RELEASE LEVEL | REVISION |
|----------|-----------|---------------------|---------------|----------|
| F | M10104840 | 10-10-12 | Active | F |
| E | M10104555 | 5-2-12 | | |
| D | M10104496 | 2-14-12 | | |

KNOWLES ELECTRONICS
ITASCA, ILLINOIS U.S.A.

WHEN TEST LIMITS ARE USED TO ESTABLISH INCOMING INSPECTION ACCEPTANCE/REJECTION CRITERIA, CORRELATION OF TEST EQUIPMENT WITH KNOWLES IS ALSO REQUIRED FOR ELIMINATION OF EQUIPMENT AND TEST METHOD VARIATION

TITLE: **MICROPHONE** **FG-23329-D65**
PERFORMANCE SPECIFICATION **SHT 2.1**

| | |
|---------|---------|
| DR. BY | DATE |
| SDZ | 7-27-09 |
| CK. BY | DATE |
| GJP | 7-27-09 |
| APP. BY | DATE |
| GJP | 7-27-09 |