

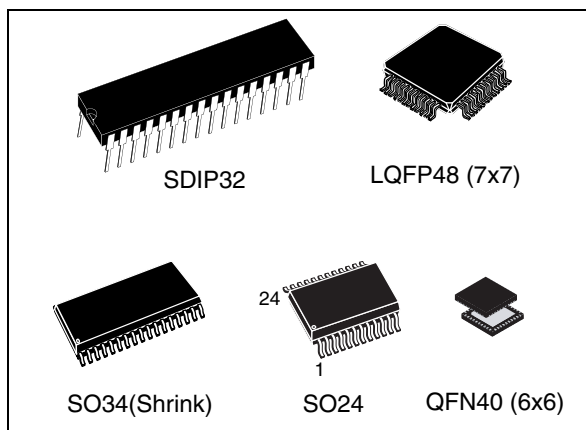


# ST7263BHx ST7263BDx ST7263BKx ST7263BEx

Low speed USB 8-bit MCU family with up to 32 KB Flash/ROM, DFU capability, 8-bit ADC, WDG, timer, SCI and I<sup>2</sup>C

## Features

- Memories
  - 4, 8, 16 or 32 Kbytes Program memory: high density Flash (HDFlash), or ROM with Readout and Write Protection
  - In-application Programming (IAP) and in-circuit programming (ICP)
  - 384, 512 or 1024 bytes RAM memory (128-byte stack)
- Clock, reset and supply management
  - Run, Wait, Slow and Halt CPU modes
  - 12 or 24 MHz oscillator
  - RAM retention mode
  - Optional low voltage detector (LVD)
- Universal serial bus (USB) interface
  - DMA for low speed applications compliant with USB 1.5 Mbs (version 2.0) and HID specifications (version 1.0)
  - Integrated 3.3 V voltage regulator and transceivers
  - Supports USB DFU class specification
  - Suspend and Resume operations
  - 3 endpoints with programmable In/Out configuration
- Up to 27 I/O ports
  - Up to 8 high sink I/Os (10 mA at 1.3 V)
  - 2 very high sink true open drain I/Os (25 mA at 1.5 V)
  - Up to 8 lines individually programmable as interrupt inputs
- 1 analog peripheral
  - 8-bit A/D converter with 8 or 12 channels
- 2 timers
  - Programmable watchdog
  - 16-bit timer with 2 input Captures, 2 output Compares, PWM output and clock input



- 2 communication Interfaces
  - Asynchronous serial communications interface
  - I<sup>2</sup>C multimaster interface up to 400 kHz
- Instruction set
  - 63 basic instructions
  - 17 main addressing modes
  - 8 x 8 unsigned multiply instruction
  - True bit manipulation
- Development tools
  - Versatile development tools (under Windows) including assembler, linker, C-compiler, archiver, source level debugger, software library, hardware emulator, programming boards and gang programmers, HID and DFU software layers

**Table 1. Device summary**

Reference	Part number
ST7263BHx	ST7263BH2, ST7263BH6
ST7263BDx	ST7263BD6
ST7263BKx	ST7263BK1, ST7263BK2, ST7263BK4, ST7263BK6
ST7263BEx	ST7263BE1, ST7263BE2, ST7263BE4, ST7263BE6

# Contents

<b>1</b>	<b>Introduction</b>	<b>11</b>
<b>2</b>	<b>Pin description</b>	<b>13</b>
2.1	RESET signal (bidirectional)	13
2.2	OSCIN/OSCOUT: input/output oscillator pin	13
2.3	VDD/VSS	13
2.4	VDDA/VSSA	13
2.5	Alternate functions	13
<b>3</b>	<b>Register and memory map</b>	<b>21</b>
<b>4</b>	<b>Flash program memory</b>	<b>24</b>
4.1	Introduction	24
4.2	Main features	24
4.3	Structure	24
4.3.1	Readout protection	25
4.4	ICC interface	25
4.5	ICP (in-circuit programming)	26
4.6	IAP (in-application programming)	27
4.7	Related documentation	27
4.8	Register description	27
<b>5</b>	<b>Central processing unit</b>	<b>28</b>
5.1	Introduction	28
5.2	Main features	28
5.3	CPU registers	28
<b>6</b>	<b>Reset and clock management</b>	<b>32</b>
6.1	Reset	32
6.1.1	Low voltage detector (LVD)	32
6.1.2	Watchdog reset	32
6.1.3	External reset	32
6.2	Clock system	35

	6.2.1	General description	35
	6.2.2	External clock	35
<b>7</b>		<b>Interrupts</b>	<b>37</b>
	7.1	Interrupt register (ITRFRE)	39
<b>8</b>		<b>Power saving modes</b>	<b>40</b>
	8.1	Introduction	40
	8.2	Halt mode	40
	8.3	Slow mode	41
	8.4	Wait mode	41
<b>9</b>		<b>I/O ports</b>	<b>43</b>
	9.1	Introduction	43
	9.2	Functional description	43
	9.3	I/O port implementation	45
	9.3.1	Port A	45
	9.3.2	Port B	47
	9.3.3	Port C	49
	9.3.4	Port D	50
	9.3.5	Register description	50
	9.3.6	Related documentation	52
<b>10</b>		<b>Miscellaneous register</b>	<b>53</b>
<b>11</b>		<b>On-chip peripherals</b>	<b>54</b>
	11.1	Watchdog timer (WDG)	54
	11.1.1	Introduction	54
	11.1.2	Main features	54
	11.1.3	Functional description	54
	11.1.4	Software Watchdog option	55
	11.1.5	Hardware Watchdog option	55
	11.1.6	Low power modes	55
	11.1.7	Interrupts	56
	11.1.8	Register description	57
	11.2	16-bit timer	58

11.2.1	Introduction	58
11.2.2	Main features	58
11.2.3	Functional description	59
11.2.4	Low power modes	72
11.2.5	Interrupts	72
11.2.6	Summary of timer modes	72
11.2.7	Register description	73
11.3	Serial communications interface (SCI)	80
11.3.1	Introduction	80
11.3.2	Main features	80
11.3.3	General description	80
11.3.4	Functional description	82
11.3.5	Low power modes	89
11.3.6	Interrupts	89
11.3.7	Register description	90
11.4	USB interface (USB)	97
11.4.1	Introduction	97
11.4.2	Main features	97
11.4.3	Functional description	97
11.4.4	Register description	98
11.4.5	Programming considerations	106
11.5	I <sup>2</sup> C bus interface	109
11.5.1	Introduction	109
11.5.2	Main features	109
11.5.3	General description	109
11.5.4	Functional description	111
11.5.5	Low power modes	116
11.5.6	Interrupts	116
11.5.7	Register description	117
11.6	8-bit A/D converter (ADC)	125
11.6.1	Introduction	125
11.6.2	Main features	125
11.6.3	Functional description	125
11.6.4	Low power modes	127
11.6.5	Interrupts	128
11.6.6	Register description	128

<b>12</b>	<b>Instruction set</b>	<b>130</b>
12.1	ST7 addressing modes	130
12.1.1	Inherent	131
12.1.2	Immediate instructions	132
12.1.3	Direct	132
12.1.4	Indexed (No Offset, Short, Long)	132
12.1.5	Indirect (Short, Long)	133
12.1.6	Indirect Indexed (Short, Long)	133
12.1.7	Relative mode (Direct, Indirect)	134
12.2	Instruction groups	135
<b>13</b>	<b>Electrical characteristics</b>	<b>138</b>
13.1	Parameter conditions	138
13.1.1	Minimum and maximum values	138
13.1.2	Typical values	138
13.1.3	Typical curves	138
13.1.4	Loading capacitor	138
13.1.5	Pin input voltage	138
13.2	Absolute maximum ratings	139
13.3	Operating conditions	141
13.3.1	Operating conditions with low voltage detector (LVD)	141
13.4	Supply current characteristics	142
13.5	Clock and timing characteristics	143
13.6	Memory characteristics	145
13.6.1	Flash memory	145
13.7	EMC characteristics	147
13.7.1	Functional EMS (electromagnetic susceptibility)	147
13.7.2	Electromagnetic Interference (EMI)	148
13.7.3	Absolute maximum ratings (electrical sensitivity)	148
13.8	I/O port pin characteristics	149
13.9	Control pin characteristics	156
13.10	Communication interface characteristics	158
13.10.1	USB interface	158
13.10.2	SCI interface	159
13.10.3	I2C interface	160

---

13.11	8-bit ADC .....	162
<b>14</b>	<b>Package characteristics .....</b>	<b>165</b>
14.1	Package mechanical data .....	166
14.2	Thermal characteristics .....	171
14.3	Soldering and glueability information .....	171
<b>15</b>	<b>Device configuration and ordering information .....</b>	<b>172</b>
15.1	Option byte .....	172
15.2	Device ordering information and transfer of customer code .....	173
15.3	Development tools .....	174
15.3.1	Evaluation tools and starter kits .....	174
15.3.2	Development and debugging tools .....	174
15.3.3	Programming tools .....	175
15.3.4	Order codes for ST7263Bx development tools .....	175
15.4	ST7 application notes .....	177
<b>16</b>	<b>Known limitations .....</b>	<b>181</b>
16.1	PA2 limitation with OCMP1 enabled .....	181
16.2	Unexpected RESET fetch .....	181
16.3	USB behavior with LVD disabled .....	181
16.4	I2C multimaster .....	181
16.5	Halt mode power consumption with ADC on .....	182
16.6	SCI wrong BREAK duration .....	182
<b>17</b>	<b>Revision history .....</b>	<b>184</b>

## List of tables

Table 1.	Device summary . . . . .	1
Table 2.	Device overview . . . . .	11
Table 3.	Device pin description (QFN40, LQFP48, SO34 and SDIP32) . . . . .	17
Table 4.	Device pin description (SO24) . . . . .	19
Table 5.	Interrupt vector map . . . . .	21
Table 6.	Hardware register memory map . . . . .	22
Table 7.	Sectors available in Flash devices . . . . .	24
Table 8.	Recommended Values for 24 MHz crystal resonator . . . . .	35
Table 9.	Interrupt mapping . . . . .	39
Table 10.	I/O pin functions . . . . .	43
Table 11.	Port A0, A3, A4, A5, A6, A7 description . . . . .	45
Table 12.	PA1, PA2 description . . . . .	46
Table 13.	Port B description . . . . .	47
Table 14.	Port C description . . . . .	49
Table 15.	Port D description . . . . .	50
Table 16.	I/O ports register map . . . . .	51
Table 17.	Watchdog timing (fCPU = 8 MHz) . . . . .	55
Table 18.	Watchdog timer register map and reset values . . . . .	57
Table 19.	IC/R register . . . . .	63
Table 20.	OC/R register . . . . .	65
Table 21.	Low power modes . . . . .	72
Table 22.	Interrupts . . . . .	72
Table 23.	Summary of timer modes . . . . .	72
Table 24.	Clock Control bits . . . . .	75
Table 25.	16-bit timer register map and reset values . . . . .	79
Table 26.	Frame formats . . . . .	87
Table 27.	Low power modes . . . . .	89
Table 28.	Interrupts . . . . .	89
Table 29.	Prescaling factors . . . . .	95
Table 30.	TR dividing factors . . . . .	95
Table 31.	RR dividing factor . . . . .	95
Table 32.	SCI register map and reset values . . . . .	96
Table 33.	TP bit definition . . . . .	100
Table 34.	STAT_TX bit definition . . . . .	104
Table 35.	STAT_RX bit definition . . . . .	105
Table 36.	USB register map and reset values . . . . .	107
Table 37.	Slave receiver . . . . .	115
Table 38.	Slave Transmitter . . . . .	115
Table 39.	Master receiver . . . . .	115
Table 40.	Master Transmitter . . . . .	115
Table 41.	Low power modes . . . . .	116
Table 42.	Interrupts . . . . .	116
Table 43.	I <sup>2</sup> C register map . . . . .	124
Table 44.	Low power modes . . . . .	127
Table 45.	Channel selection . . . . .	128
Table 46.	ADC register map . . . . .	129
Table 47.	Addressing modes . . . . .	130
Table 48.	ST7 addressing mode overview . . . . .	130

Table 49.	Inherent instructions . . . . .	131
Table 50.	Immediate instructions . . . . .	132
Table 51.	Instructions supporting Direct, Indexed, Indirect and Indirect Indexed addressing modes	133
Table 52.	Instructions supporting relative addressing mode . . . . .	134
Table 53.	Instruction groups . . . . .	135
Table 54.	Instructions . . . . .	136
Table 55.	Voltage characteristics . . . . .	139
Table 57.	Thermal characteristics . . . . .	140
Table 56.	Current characteristics . . . . .	140
Table 58.	General operating conditions . . . . .	141
Table 59.	Operating conditions with LVD . . . . .	141
Table 60.	Supply current characteristics . . . . .	142
Table 61.	General timings . . . . .	143
Table 62.	Control timing characteristics . . . . .	143
Table 63.	External clock source . . . . .	144
Table 64.	RAM and hardware registers . . . . .	145
Table 65.	Dual voltage Flash memory . . . . .	145
Table 66.	EMC characteristics . . . . .	147
Table 67.	EMI characteristics . . . . .	148
Table 68.	Absolute maximum ratings . . . . .	148
Table 69.	Electrical sensitivities . . . . .	149
Table 70.	General characteristics . . . . .	149
Table 71.	Output driving current . . . . .	151
Table 72.	Asynchronous RESET pin . . . . .	156
Table 73.	USB DC characteristics . . . . .	158
Table 74.	USB low-speed electrical characteristics . . . . .	159
Table 75.	SCI characteristics . . . . .	159
Table 76.	I <sup>2</sup> C characteristics . . . . .	160
Table 77.	SCL frequency . . . . .	162
Table 78.	8-bit ADC characteristics . . . . .	162
Table 79.	ADC accuracy with VDD=5 V, fCPU= 8 MHz, fADC=4 MHz, RAIN< 10 κΩ. . . . .	163
Table 80.	32-pin plastic dual in-line package, shrink 400-mil width, package mechanical data . . . . .	166
Table 81.	34-pin plastic small outline package, 300-mil width, package mechanical data . . . . .	167
Table 82.	24-pin plastic small outline package, 300-mil width package mechanical data . . . . .	168
Table 83.	48-pin low profile quad flat package mechanical data . . . . .	169
Table 84.	40-lead very thin fine pitch quad flat no-lead package mechanical data . . . . .	170
Table 85.	Thermal characteristics . . . . .	171
Table 86.	Supported order codes . . . . .	173
Table 87.	Development tool order codes for the ST7263Bx family . . . . .	175
Table 88.	ST7 application notes . . . . .	177
Table 89.	Document revision history . . . . .	184



## List of figures

Figure 1.	General block diagram	12
Figure 2.	48-pin LQFP pinout	14
Figure 3.	40-lead QFN package pinout	15
Figure 4.	34-pin SO package pinout	16
Figure 5.	32-pin SDIP package pinout	16
Figure 6.	24-pin SO package pinout	16
Figure 7.	Memory map	21
Figure 8.	Memory map and sector address	25
Figure 9.	Typical ICC interface	26
Figure 10.	Stack manipulation example	31
Figure 11.	CPU registers	31
Figure 12.	Low voltage detector functional diagram	33
Figure 13.	Low Voltage Reset signal output	33
Figure 14.	Temporization timing diagram after an internal Reset	33
Figure 15.	Reset timing diagram	34
Figure 16.	External clock source connections	35
Figure 17.	Crystal/ceramic resonator	36
Figure 18.	Clock block diagram	36
Figure 19.	Interrupt processing flowchart	38
Figure 20.	Halt mode flowchart	41
Figure 21.	Wait mode flowchart	42
Figure 22.	PA0, PA3, PA4, PA5, PA6, PA7 and PD[7:4] configuration	45
Figure 23.	PA1, PA2 configuration	46
Figure 24.	Port B and D[3:0] configuration	48
Figure 25.	Port C configuration	49
Figure 26.	Watchdog block diagram	55
Figure 27.	Timer block diagram	60
Figure 28.	16-bit read sequence (from either the Counter register or the Alternate Counter register)	61
Figure 29.	Counter timing diagram, internal clock divided by 2	62
Figure 30.	Counter timing diagram, internal clock divided by 4	62
Figure 31.	Counter timing diagram, internal clock divided by 8	62
Figure 32.	Input Capture block diagram	64
Figure 33.	Input Capture timing diagram	64
Figure 34.	Output Compare block diagram	67
Figure 35.	Output Compare timing diagram, $f_{timer} = f_{cpu}/2$	67
Figure 36.	Output Compare timing diagram, $f_{timeR} = f_{CPU}/4$	67
Figure 37.	One Pulse mode cycle	68
Figure 38.	One Pulse mode timing example	69
Figure 39.	Pulse Width modulation mode timing with 2 output Compare functions	70
Figure 40.	Pulse width modulation cycle	71
Figure 41.	SCI block diagram	81
Figure 42.	Word length programming	82
Figure 43.	Bit sampling in reception mode	89
Figure 44.	USB block diagram	98
Figure 45.	DMA buffers	99
Figure 46.	I <sup>2</sup> C bus protocol	110
Figure 47.	I <sup>2</sup> C interface block diagram	111
Figure 48.	Transfer sequencing	115

Figure 49.	Event flags and interrupt generation . . . . .	116
Figure 50.	ADC block diagram . . . . .	126
Figure 51.	ADC conversion timings . . . . .	127
Figure 52.	Pin loading conditions . . . . .	138
Figure 53.	Pin input voltage . . . . .	139
Figure 54.	fCPU maximum operating frequency versus $V_{DD}$ supply voltage . . . . .	141
Figure 55.	Typ. $I_{DD}$ in Run at fCPU = 4 and 8 MHz . . . . .	142
Figure 56.	Typ. $I_{DD}$ in Wait at fCPU= 4 and 8 MHz . . . . .	143
Figure 57.	Typical application with an external clock source . . . . .	144
Figure 58.	Typical application with a crystal resonator . . . . .	145
Figure 59.	Two typical applications with VPP pin . . . . .	146
Figure 60.	Two typical applications with unused I/O pin . . . . .	149
Figure 61.	Typ. IPU vs. VDD . . . . .	150
Figure 62.	Typ. RPU vs. VDD . . . . .	150
Figure 63.	VOL standard VDD=5 V . . . . .	151
Figure 64.	VOL high sink VDD=5 V . . . . .	152
Figure 65.	VOL very high sink VDD=5 V . . . . .	152
Figure 66.	VOL standard vs. VDD . . . . .	153
Figure 67.	VOL high sink vs. VDD . . . . .	153
Figure 68.	VOL very high sink vs. VDD . . . . .	154
Figure 69.	IVDD-VOHI @ VDD=5 V (low current) . . . . .	154
Figure 70.	IVDD-VOHI @ VDD=5 V (high current) . . . . .	155
Figure 71.	IVDD-VOHI @ IIO=2 mA (low current) . . . . .	155
Figure 72.	IVDD-VOHI @ IIO=10 mA (high current) . . . . .	156
Figure 73.	RESET pin protection when LVD is enabled . . . . .	157
Figure 74.	RESET pin protection when LVD is disabled . . . . .	158
Figure 75.	USB data signal rise and fall time . . . . .	158
Figure 76.	Typical application with I2C bus and timing diagram . . . . .	161
Figure 77.	Typical application with ADC . . . . .	163
Figure 78.	ADC accuracy characteristics . . . . .	164
Figure 79.	32-pin plastic dual in-line package, shrink 400-mil width, package outline . . . . .	166
Figure 80.	34-pin plastic small outline package, 300-mil width, package outline . . . . .	167
Figure 81.	24-pin plastic small outline package, 300-mil width package outline . . . . .	168
Figure 82.	48-pin low profile quad flat package outline . . . . .	169
Figure 83.	40-lead very thin fine pitch quad flat no-lead package outline . . . . .	170
Figure 84.	Option list . . . . .	176
Figure 85.	Identifying silicon revision from device marking and box label . . . . .	183

# 1 Introduction

The ST7263B microcontrollers form a sub-family of the ST7 MCUs dedicated to USB applications. The devices are based on an industry-standard 8-bit core and feature an enhanced instruction set. They operate at a 24 MHz or 12 MHz oscillator frequency. Under software control, the ST7263B MCUs may be placed in either Wait or Halt modes, thus reducing power consumption. The enhanced instruction set and addressing modes afford real programming potential. In addition to standard 8-bit data management, the ST7263B MCUs feature true bit manipulation, 8x8 unsigned multiplication and indirect addressing modes. The devices include an ST7 core, up to 32 Kbytes of program memory, up to 1024 bytes of RAM, 27 I/O lines and the following on-chip peripherals:

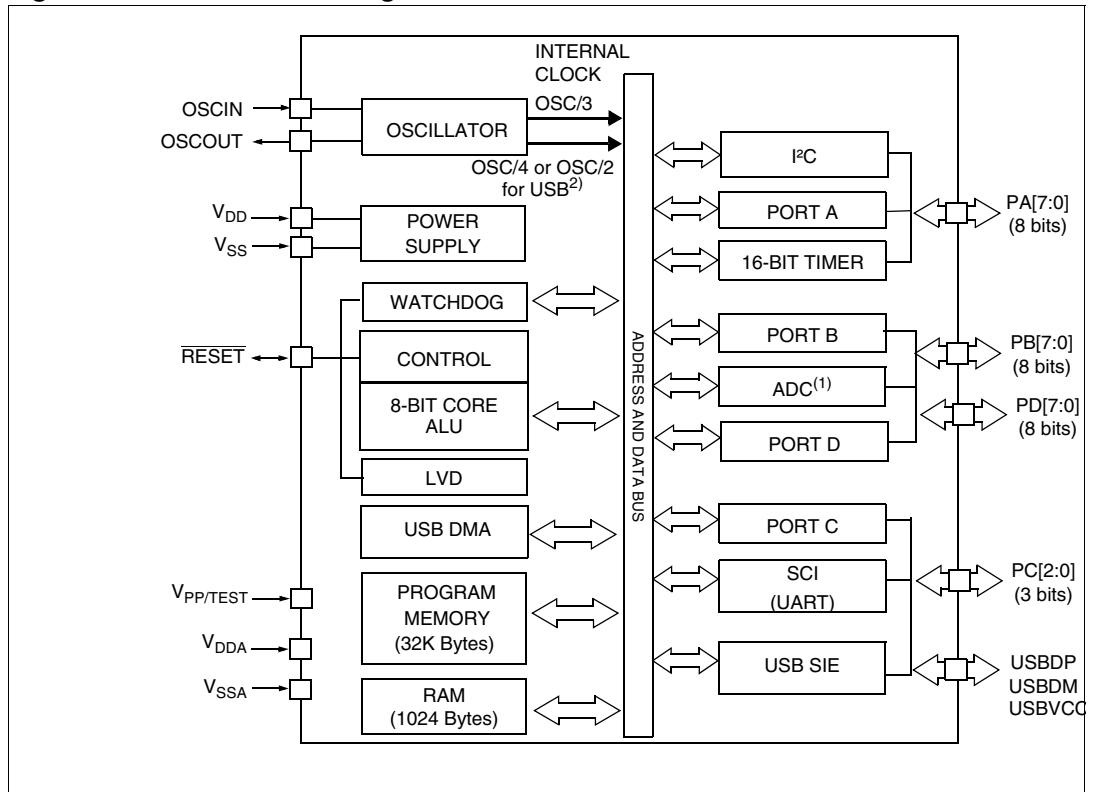
- USB low speed interface with 3 endpoints with programmable in/out configuration using the DMA architecture with embedded 3.3 V voltage regulator and transceivers (no external components are needed).
- 8-bit analog-to-digital converter (ADC) with 12 multiplexed analog inputs
- Industry standard asynchronous SCI serial interface
- Watchdog
- 16-bit Timer featuring an External clock input, 2 input Captures, 2 output Compares with Pulse Generator capabilities
- Fast I<sup>2</sup>C multimaster interface
- Low voltage reset (LVD) ensuring proper power-on or power-off of the device

The ST72F63B devices are Flash versions. They support programming in IAP mode (In-application programming) via the on-chip USB interface.

**Table 2. Device overview**

Features	ST7263BHx			ST7263BDx	ST7263BKx				ST7263BEx				
Program memory - Kbytes (Flash / ROM)	32	16	8	32	32	16	8	4	32	16	8	4	
RAM (stack) - bytes	1024 (128)	512 (128)	384 (128)	1024 (128)	1024 (128)	512 (128)	384 (128)	384 (128)	1024 (128)	512 (128)	384 (128)	384 (128)	
Standard Peripherals	Watchdog timer, 16-bit timer, USB												
Other Peripherals	SCI, I <sup>2</sup> C, ADC							SCI, AD	ADC	SCI, I <sup>2</sup> C			
I/Os (high current)	27 (10)				19 (10)				14 (6)				
Operating Supply	4.0 V to 5.5 V												
CPU frequency	8 MHz (with 24 MHz oscillator) or 4 MHz (with 12 MHz oscillator)												
Operating temp.	0 °C to +70 °C												
Packages	LQFP48 (7x7)			QFN40 (6x6)	SDIP32/ SO34	QFN40 (6x6)	SDIP32/ SO34	SO24					

Figure 1. General block diagram



1. ADC channels:  
 12 on 48-pin devices (Port B and Port D[3:0])  
 8 on 34 and 32-pin devices (Port B)  
 None on 24-pin devices
2. 12 or 24 MHz OSCIN frequency required to generate 6 MHz USB clock.
3. The drive from USBVCC is sufficient to only drive an external pull-up in addition to the internal transceiver.

## 2 Pin description

### 2.1 $\overline{\text{RESET}}$ signal (bidirectional)

It is active low and forces the initialization of the MCU. This event is the top priority non maskable interrupt. This pin is switched low when the Watchdog is triggered or the  $V_{DD}$  is low. It can be used to reset external peripherals.

*Note:* Adding two 100 nF decoupling capacitors on the Reset pin (respectively connected to  $V_{DD}$  and  $V_{SS}$ ) will significantly improve product electromagnetic susceptibility performance.

### 2.2 OSCIN/OSCOUT: input/output oscillator pin

These pins connect a parallel-resonant crystal, or an external source, to the on-chip oscillator.

### 2.3 $V_{DD}/V_{SS}$

Main power supply and ground voltages

*Note:* To enhance the reliability of operation, it is recommended that  $V_{DDA}$  and  $V_{DD}$  be connected together on the application board. This also applies to  $V_{SSA}$  and  $V_{SS}$ .

### 2.4 $V_{DDA}/V_{SSA}$

Power supply and ground voltages for analog peripherals.

*Note:* To enhance the reliability of operation, it is recommended that  $V_{DDA}$  and  $V_{DD}$  be connected together on the application board. This also applies to  $V_{SSA}$  and  $V_{SS}$ .

### 2.5 Alternate functions

Several pins of the I/O ports assume software programmable alternate functions as shown in the pin description.

- Note:*
- 1 The USBOE alternate function is mapped on Port C2 in 32/34/48 pin devices. In SO24 devices it is mapped on Port B1.
  - 2 The timer OCMP1 alternate function is mapped on Port A6 in 32/34/48 pin devices. In SO24 devices it is not available.

Figure 2. 48-pin LQFP pinout

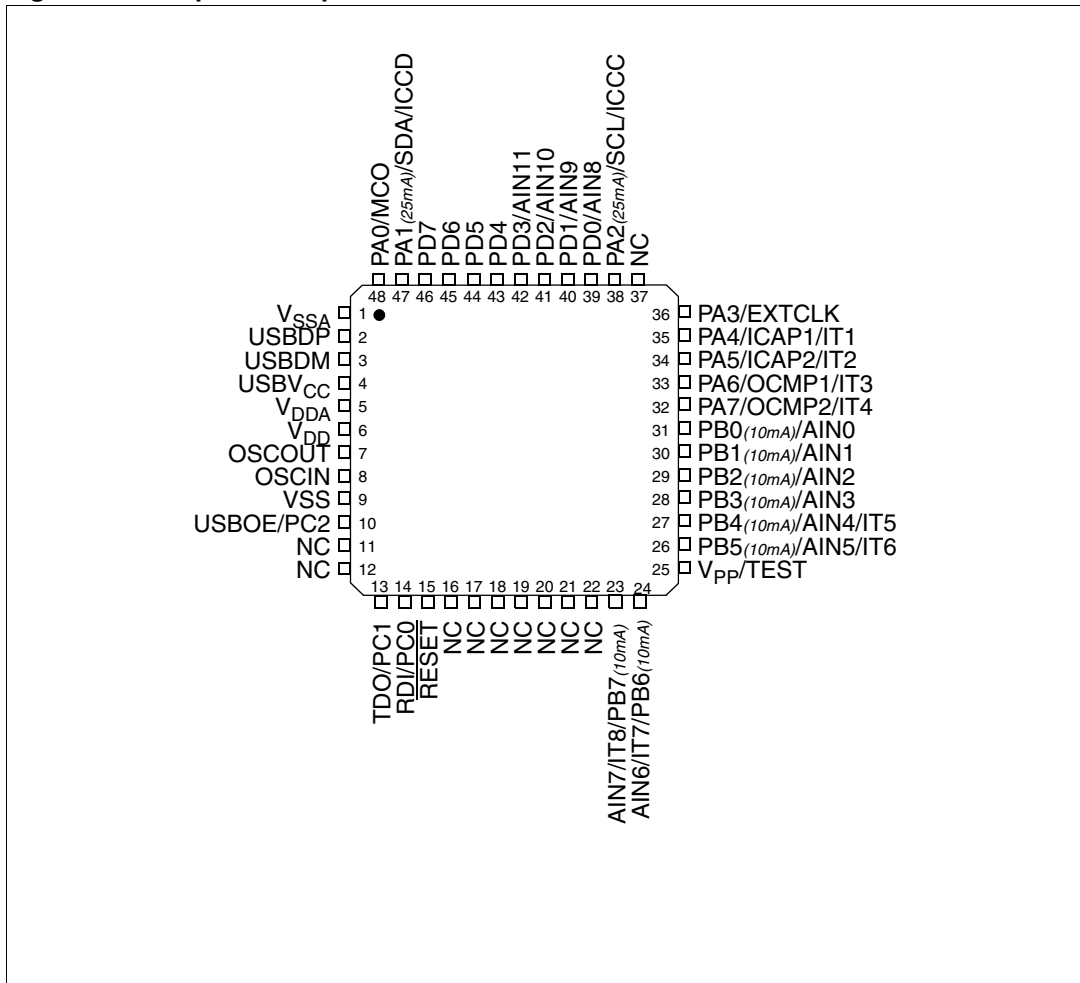
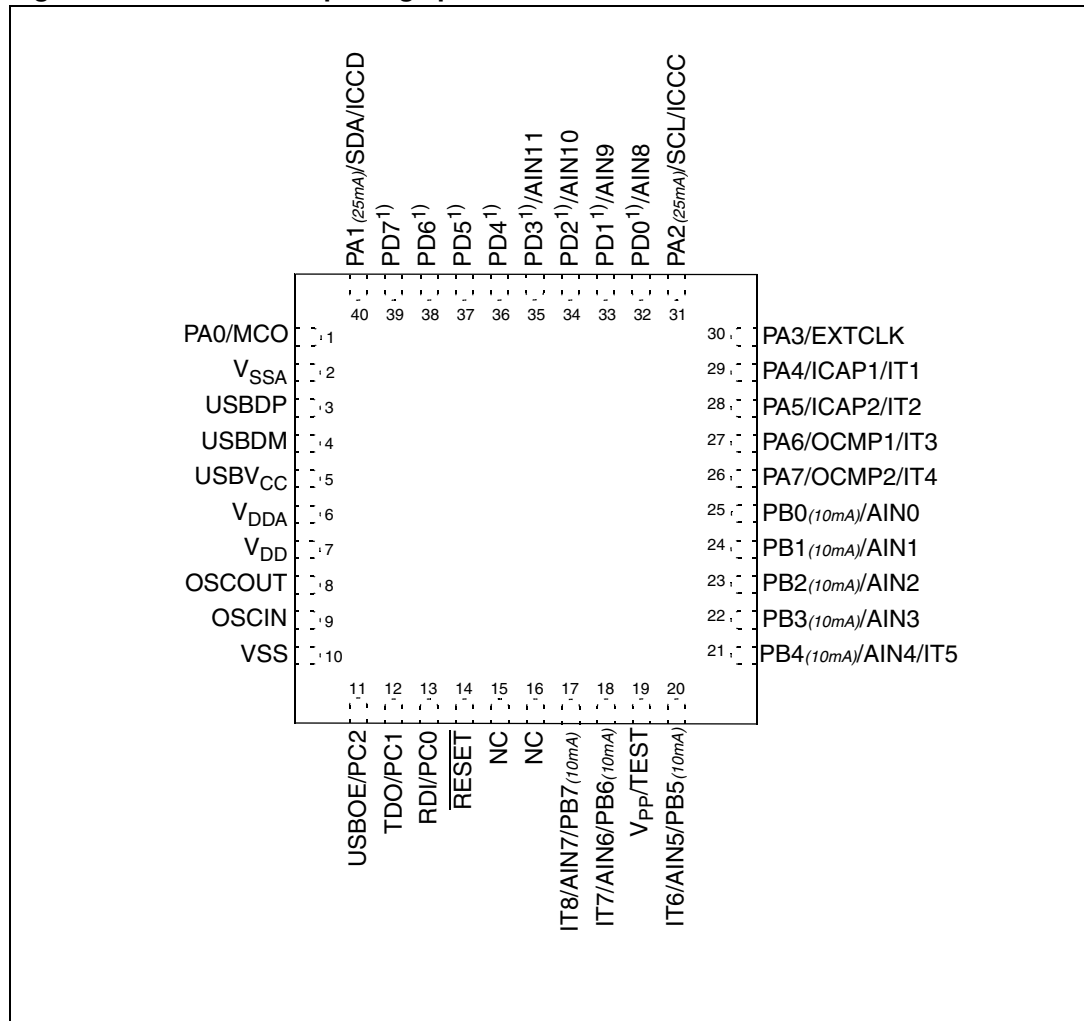


Figure 3. 40-lead QFN package pinout



1. Port D functions are not available on the 8 Kbyte version of the QFN40 package (ST7263BK2) and should not be connected.

Figure 4. 34-pin SO package pinout

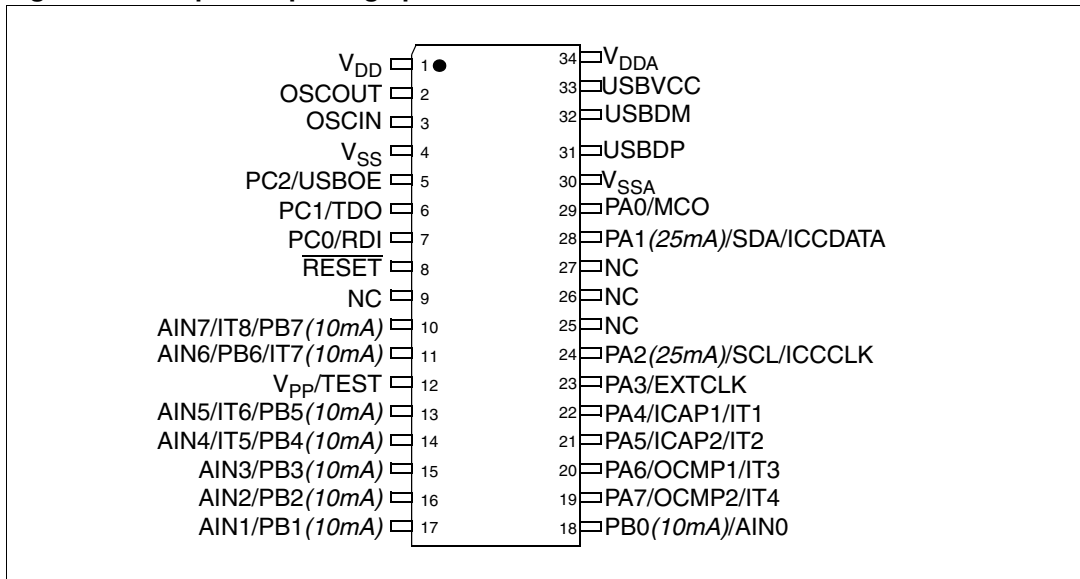


Figure 5. 32-pin SDIP package pinout

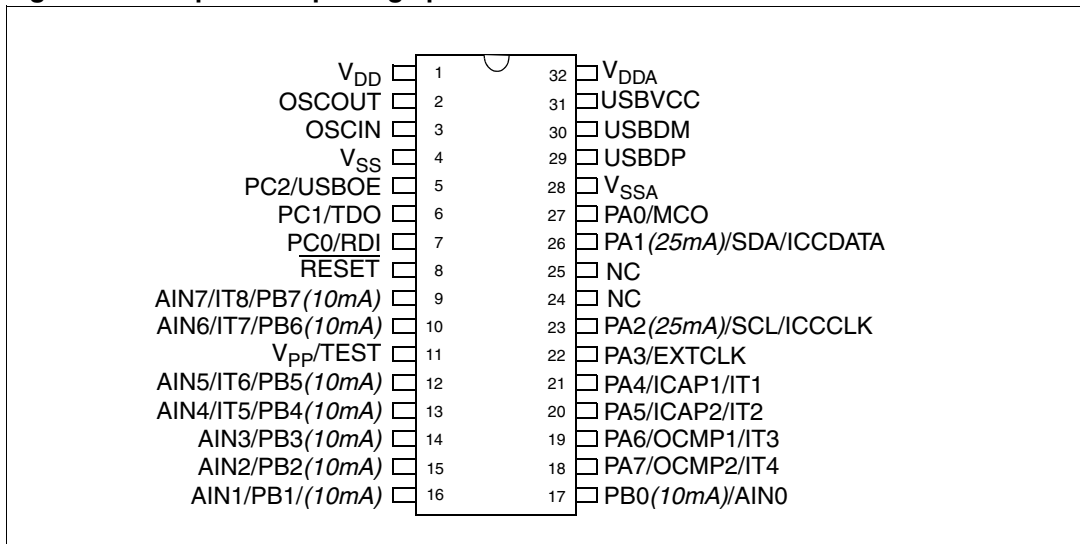
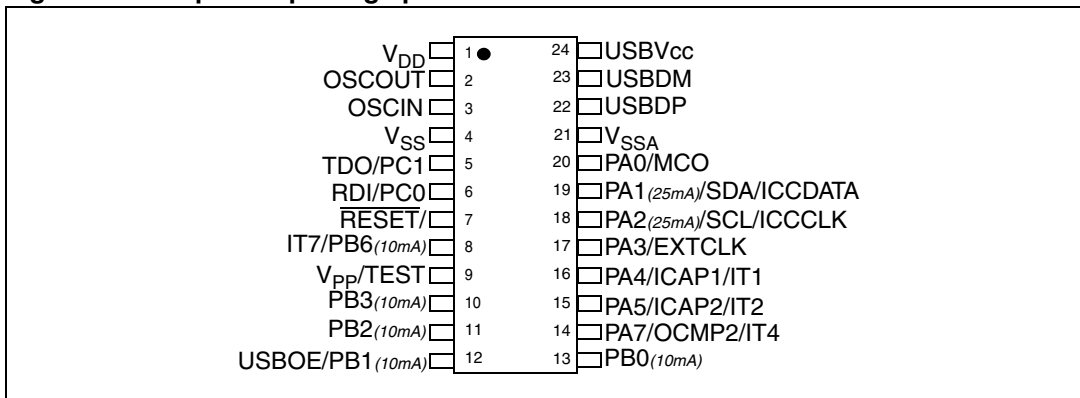


Figure 6. 24-pin SO package pinout





**Legend / Abbreviations for Table 3 and Table 4:**

Type: I = input, O = output, S = supply

In/Output level:  $C_T = \text{CMOS } 0.3V_{DD}/0.7V_{DD}$  with input trigger

Output level: 10 mA = 10mA high sink (Fn N-buffer only)

25 mA = 25 mA very high sink (on N-buffer only)

Port and control configuration:

- Input: float = floating, wpu = weak pull-up, int = interrupt, ana = analog
- Output: OD = open drain, PP = push-pull, T = True open drain

The RESET configuration of each pin is shown in bold. This configuration is kept as long as the device is under reset state.

**Table 3. Device pin description (QFN40, LQFP48, SO34 and SDIP32)**

Pin n°				Pin name	Type	Level		Port /control						Main function (after reset)	Alternate function
SDIP32	SO34	QFN40	LQFP48			Input	Output	Input				Output			
								float	wpu	int	ana	OD	PP		
1	1	7	6	V <sub>DD</sub>	S										Power supply voltage (4- 5.5 V)
2	2	8	7	OSCOUT	O										Oscillator output
3	3	9	8	OSCIN	I										Oscillator input
4	4	10	9	V <sub>SS</sub>	S										Digital ground
5	5	11	10	PC2/USBOE	I/O	CT		X				X	Port C2	USB output Enable	
6	6	12	13	PC1/TDO	I/O	CT		X				X	Port C1	SCI Transmit Data output	
7	7	13	14	PC0/RDI	I/O	CT		X				X	Port C0	SCI Receive Data input	
8	8	14	15	<b>RESET</b>	I/O			X			X		Reset		
-	9	15	16	NC	--										Not connected
-	-	16	17	NC	--										Not connected
-	-	-	18	NC	--										Not connected
-	-	-	19	NC	--										Not connected
-	-	-	20	NC	--										Not connected
-	-	-	21	NC	--										Not connected
-	-	-	22	NC	--										Not connected
9	10	17	23	PB7/AIN7/IT8	I/O	CT	10mA	X		X	X		X	Port B7	ADC analog input 7
10	11	18	24	PB6/AIN6/IT7	I/O	CT	10mA	X		X	X		X	Port B6	ADC analog input 6
11	12	19	25	V <sub>PP</sub> /TEST	S										Programming supply
12	13	20	26	PB5/AIN5/IT6	I/O	CT	10mA	X		X	X		X	Port B5	ADC analog input 5
13	14	21	27	PB4/AIN4/IT5	I/O	CT	10mA	X		X	X		X	Port B4	ADC analog input 4
14	15	22	28	PB3/AIN3	I/O	CT	10mA	X			X		X	Port B3	ADC analog input 3

Table 3. Device pin description (QFN40, LQFP48, SO34 and SDIP32) (continued)

Pin n°				Pin name	Type	Level		Port /control						Main function (after reset)	Alternate function
SDIP32	SO34	QFN40	LQFP48			Input	Output	Input				Output			
								float	wpu	int	ana	OD	PP		
15	16	23	29	PB2/AIN2	I/O	CT	10mA	X			X		X	Port B2	ADC analog input 2
16	17	24	30	PB1/AIN1	I/O	CT	10mA	X			X		X	Port B1	ADC analog input 1
17	18	25	31	PB0/AIN0	I/O	CT	10mA	X			X		X	Port B0	ADC analog input 0
18	19	26	32	PA7/OCMP2/IT4	I/O	CT			X	X			X	Port A7	Timer output Compare 2
19	20	27	33	PA6/OCMP1/IT3	I/O	CT			X	X			X	Port A6	Timer output Compare 1
20	21	28	34	PA5/ICAP2/IT2	I/O	CT			X	X			X	Port A5	Timer input Capture 2
21	22	29	35	PA4/ICAP1/IT1	I/O	CT			X	X			X	Port A4	Timer input Capture 1
22	23	30	36	PA3/EXTCLK	I/O	CT			X				X	Port A3	Timer External clock
23	24	31	38	PA2/SCL/ICCCLK	I/O	C <sub>T</sub>	25mA	X				T		Port A2	I <sup>2</sup> C serial clock, ICC clock
-	-	32	39	PD0 <sup>(1)</sup> /AIN8	I/O	C <sub>T</sub>		X			X		X	Port D0	ADC analog input 8
-	-	33	40	PD1 <sup>(1)</sup> /AIN9	I/O	C <sub>T</sub>		X			X		X	Port D1	ADC analog input 9
-	-	34	41	PD2 <sup>(1)</sup> /AIN10	I/O	C <sub>T</sub>		X			X		X	Port D2	ADC analog input 10
-	-	35	42	PD3 <sup>(1)</sup> /AIN11	I/O	C <sub>T</sub>		X			X		X	Port D3	ADC analog input 11
-	-	36	43	PD4 <sup>(1)</sup>	I/O	C <sub>T</sub>			X				X	Port D4	
-	-	37	44	PD5 <sup>(1)</sup>	I/O	C <sub>T</sub>			X				X	Port D5	
-	-	38	45	PD6 <sup>(1)</sup>	I/O	C <sub>T</sub>			X				X	Port D6	
-	-	39	46	PD7 <sup>(1)</sup>	I/O	C <sub>T</sub>			X				X	Port D7	
-	25	-	-	NC	--										Not connected
24	26	-	-	NC	--										Not connected
25	27	-	-	NC	--										Not connected
26	28	40	47	PA1/SDA/ICCDATA	I/O	CT	25mA	X				T		Port A1	I <sup>2</sup> C serial data, ICC data
27	29	1	48	PA0/MCO	I/O	CT				X			X	Port A0	Main clock output
28	30	2	1	V <sub>SSA</sub>	S										Analog ground
29	31	3	2	USBDP	I/O										USB bidirectional data (data +)
30	32	4	3	USBDM	I/O										USB bidirectional data (data -)

**Table 3. Device pin description (QFN40, LQFP48, SO34 and SDIP32) (continued)**

Pin n°				Pin name	Type	Level		Port /control						Main function (after reset)	Alternate function
SDIP32	SO34	QFN40	LQFP48			Input	Output	Input				Output			
								float	wpu	int	ana	OD	PP		
31	33	5	4	USBVCC <sup>(2)</sup>	O										USB power supply <sup>2)</sup>
32	34	6	5	V <sub>DDA</sub>	S										Analog supply voltage

1. Port D functions are not available on the 8 Kbyte version of the QFN40 package (ST7263BK2) and should not be connected.
2. The drive from USBVcc is sufficient to only drive an external pull-up in addition to the internal transceiver.

**Table 4. Device pin description (SO24)**

Pin n°		Pin name	Type	Level		Port /control						Main function (after reset)	Alternate function
SO24				Input	Output	Input				Output			
						float	wpu	int	ana	OD	PP		
1		V <sub>DD</sub>	S									Power supply voltage (4- 5.5 V)	
2		OSCOU	O									Oscillator output	
3		OSCIN	I									Oscillator input	
4		V <sub>SS</sub>	S									Digital ground	
5		PC1/TDO	I/O	CT		X				X	Port C1	SCI Transmit Data output	
6		PC0/RDI	I/O	CT		X				X	Port C0	SCI Receive Data input	
7		RESET	I/O			X			X			Reset	
8		PB6/IT7	I/O	CT	10mA	X		X	X	X	Port B6		
9		V <sub>PP</sub> /TEST	S									Programming supply	
10		PB3	I/O	CT	10mA	X			X	X	Port B3		
11		PB2	I/O	CT	10mA	X			X	X	Port B2		
12		PB1/USBOE	I/O	CT	10mA	X			X	X	Port B1	USB output Enable	
13		PB0	I/O	CT	10mA	X			X	X	Port B0		
14		PA7/OCMP2/IT4	I/O	CT		X	X			X	Port A7	Timer output Compare 2	
15		PA5/ICAP2/IT2	I/O	CT		X	X			X	Port A5	Timer input Capture 2	
16		PA4/ICAP1/IT1	I/O	CT		X	X			X	Port A4	Timer input Capture 1	
17		PA3/EXTCLK	I/O	CT		X				X	Port A3	Timer External clock	
18		PA2/SCL/ICCCCLK	I/O	C <sub>T</sub>	25mA	X				T	Port A2	I <sup>2</sup> C serial clock, ICC clock	
19		PA1/SDA/ICCDATA	I/O	CT	25mA	X				T	Port A1	I <sup>2</sup> C serial data, ICC Data	

Table 4. Device pin description (SO24) (continued)

Pin n°	Pin name	Type	Level		Port /control						Main function (after reset)	Alternate function
			Input	Output	Input				Output			
					float	wpu	int	ana	OD	PP		
20	PA0/MCO	I/O	CT				X			X	Port A0	Main Clock output
21	V <sub>SSA</sub>	S									Analog ground	
22	USBDP	I/O									USB bidirectional data (data +)	
23	USBDM	I/O									USB bidirectional data (data -)	
24	USBVCC	O									USB power supply	

### 3 Register and memory map

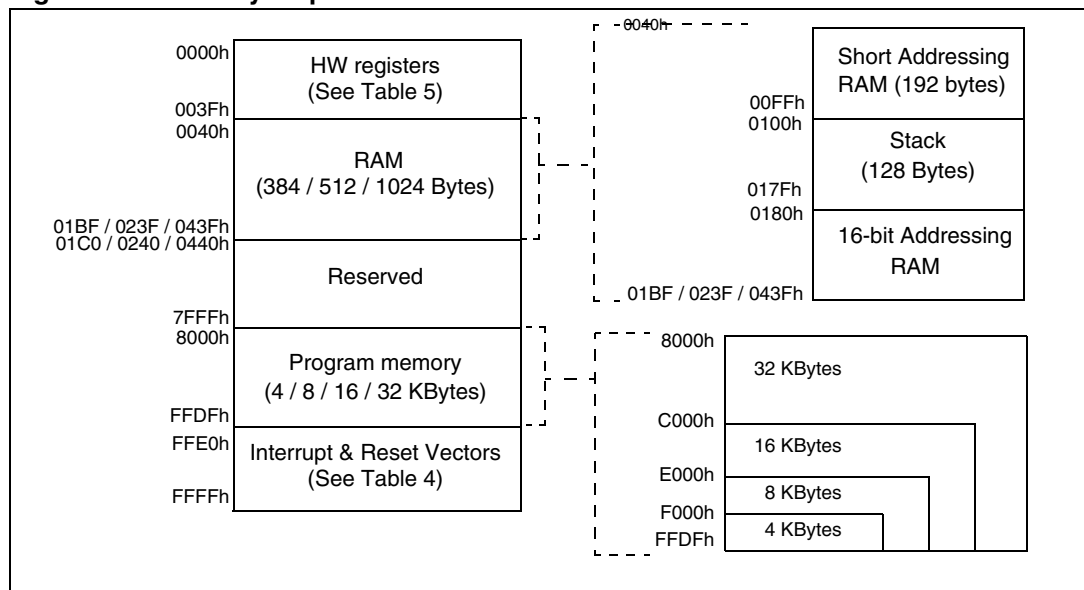
As shown in *Figure 7*, the MCU is capable of addressing 32 Kbytes of memories and I/O registers.

The available memory locations consist of up to 1024 bytes of RAM including 64 bytes of register locations, and up to 32K bytes of user program memory in which the upper 32 bytes are reserved for interrupt vectors. The RAM space includes up to 128 bytes for the stack from 0100h to 017Fh.

The highest address bytes contain the user reset and interrupt vectors.

**Caution:** Memory locations noted “Reserved” must never be accessed. Accessing a reserved area can have unpredictable effects on the device.

**Figure 7. Memory map**



**Table 5. Interrupt vector map**

Vector address	Description	Masked	Remarks	Exit from Halt
FFE0h-FFEDh	Reserved area			
FFEEh-FFEFh	USB interrupt vector	I- bit	Internal interrupt	No
FFF0h-FFF1h	SCI interrupt vector	I- bit	Internal interrupt	No
FFF2h-FFF3h	I <sup>2</sup> C interrupt vector	I- bit	Internal interrupt	No
FFF4h-FFF5h	TIMER interrupt vector	I- bit	Internal interrupt	No
FFF6h-FFF7h	IT1 to IT8 interrupt vector	I- bit	External interrupt	Yes
FFF8h-FFF9h	USB End Suspend mode interrupt vector	I- bit	External interrupts	Yes
FFFAh-FFFBh	Flash start programming interrupt vector	I- bit	Internal interrupt	Yes
FFFCh-FFFDh	TRAP (software) interrupt vector	None	CPU interrupt	No
FFFEh-FFFFh	RESET vector	None		Yes

Table 6. Hardware register memory map

Address	Block	Register label	Register name	Reset status	Remarks
0000h 0001h	Port A	PADR	Port A Data register	00h	R/W
		PADDR	Port A Data Direction register	00h	R/W
0002h 0003h	Port B	PBDR	Port B Data register	00h	R/W
		PBDDR	Port B Data Direction register	00h	R/W
0004h 0005h	Port C	PCDR	Port C Data register	1111 x000b	R/W
		PCDDR	Port C Data Direction register	1111 x000b	R/W
0006h 0007h	Port D	PDDR	Port D Data register	00h	R/W
		PDDDR	Port D Data Direction register	00h	R/W
0008h	ITC	ITIFRE	Interrupt register	00h	R/W
0009h	MISC	MISCR	Miscellaneous register	00h	R/W
000Ah 000Bh	ADC	ADCDR	ADC Data register	00h	Read only
		ADCCSR	ADC control Status register	00h	R/W
000Ch	WDG	WDGCR	Watchdog Control register	7Fh	R/W
000Dh to 0010h	Reserved (4 bytes)				
0011h	TIM	TCR2	Timer Control register 2	00h	R/W
0012h		TCR1	Timer Control register 1	00h	R/W
0013h		TCSR	Timer Control/Status register	00h	R/W
0014h		TIC1HR	Timer input Capture High register 1	xxh	Read only
0015h		TIC1LR	Timer input Capture Low register 1	xxh	Read only
0016h		TOC1HR	Timer output Compare High register 1	80h	R/W
0017h		TOC1LR	Timer output Compare Low register 1	00h	R/W
0018h		TCHR	Timer Counter High register	FFh	Read only
0019h		TCLR	Timer Counter Low register	FCh	R/W
001Ah		TACHR	Timer Alternate Counter High register	FFh	Read only
001Bh		TACLRL	Timer Alternate Counter Low register	FCh	R/W
001Ch		TIC2HR	Timer input Capture High register 2	xxh	Read only
001Dh		TIC2LR	Timer input Capture Low register 2	xxh	Read only
001Eh		TOC2HR	Timer output Compare High register 2	80h	R/W
001Fh		TOC2LR	Timer output Compare Low register 2	00h	R/W
0020h		SCI	SCISR	SCI Status register	C0h
0021h	SCIDR		SCI Data register	xxh	R/W
0022h	SCIBRR		SCI Baud Rate register	00h	R/W
0023h	SCICR1		SCI Control register 1	x000 0000b	R/W
0024h	SCICR2		SCI Control register 2	00h	R/W

Table 6. Hardware register memory map (continued)

Address	Block	Register label	Register name	Reset status	Remarks
0025h	USB	USBPIDR	USB PID register	x0h	Read only
0026h		USBDMAR	USB DMA address register	xxh	R/W
0027h		USBIDR	USB Interrupt/DMA register	x0h	R/W
0028h		USBISTR	USB Interrupt Status register	00h	R/W
0029h		USBIMR	USB Interrupt Mask register	00h	R/W
002Ah		USBCTLR	USB Control register	06h	R/W
002Bh		USBDAADDR	USB Device Address register	00h	R/W
002Ch		USBEP0RA	USB Endpoint 0 register A	0000 xxxxb	R/W
002Dh		USBEP0RB	USB Endpoint 0 register B	80h	R/W
002Eh		USBEP1RA	USB Endpoint 1 register A	0000 xxxxb	R/W
002Fh		USBEP1RB	USB Endpoint 1 register B	0000 xxxxb	R/W
0030h		USBEP2RA	USB Endpoint 2 register A	0000 xxxxb	R/W
0031h		USBEP2RB	USB Endpoint 2 register B	0000 xxxxb	R/W
0032h to 0036h	Reserved (5 bytes)				
0032h 0036h	Reserved (5 Bytes)				
0037h	Flash	FCSR	Flash Control /Status register	00h	R/W
0038h	Reserved (1 byte)				
0039h	I <sup>2</sup> C	I <sup>2</sup> CDR	I <sup>2</sup> C Data register	00h	R/W
003Ah			Reserved	-	
003Bh		I <sup>2</sup> COAR	I <sup>2</sup> C (7 Bits) Slave Address register	00h	R/W
003Ch		I <sup>2</sup> CCCR	I <sup>2</sup> C Clock Control register	00h	R/W
003Dh		I <sup>2</sup> CSR2	I <sup>2</sup> C 2nd Status register	00h	Read only
003Eh		I <sup>2</sup> CSR1	I <sup>2</sup> C 1st Status register	00h	Read only
003Fh		I <sup>2</sup> CCR	I <sup>2</sup> C Control register	00h	R/W

## 4 Flash program memory

### 4.1 Introduction

The ST7 dual voltage High Density Flash (HDFlash) is a non-volatile memory that can be electrically erased as a single block or by individual sectors and programmed on a byte-by-byte basis using an external  $V_{PP}$  supply.

The HDFlash devices can be programmed and erased off-board (plugged in a programming tool) or on-board using ICP (in-circuit programming) or IAP (in-application programming).

The array matrix organization allows each sector to be erased and reprogrammed without affecting other sectors.

### 4.2 Main features

- 3 Flash programming modes:
  - Insertion in a programming tool. In this mode, all sectors including option bytes can be programmed or erased.
  - ICP (in-circuit programming). In this mode, all sectors including option bytes can be programmed or erased without removing the device from the application board.
  - IAP (in-application programming). In this mode, all sectors except Sector 0, can be programmed or erased without removing the device from the application board and while the application is running.
- ICT (in-circuit testing) for downloading and executing user application test patterns in RAM
- Readout protection
- Register access security system (RASS) to prevent accidental programming or erasing

### 4.3 Structure

The Flash memory is organized in sectors and can be used for both code and data storage.

Depending on the overall Flash memory size in the microcontroller device, there are up to three user sectors (see [Table 7](#)). Each of these sectors can be erased independently to avoid unnecessary erasing of the whole Flash memory when only a partial erasing is required.

The first two sectors have a fixed size of 4 Kbytes (see [Figure 8](#)). They are mapped in the upper part of the ST7 addressing space so the reset and interrupt vectors are located in Sector 0 (F000h-FFFFh).

**Table 7. Sectors available in Flash devices**

Flash size (Kbytes)	Available sectors
4	Sector 0
8	Sectors 0,1
> 8	Sectors 0,1, 2



### 4.3.1 Readout protection

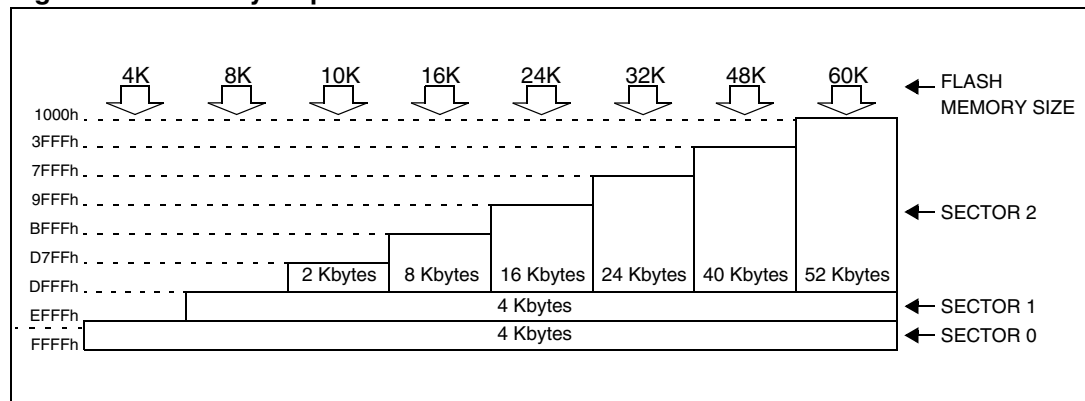
Readout protection, when selected, provides a protection against program memory content extraction and against write access to Flash memory. Even if no protection can be considered as totally unbreakable, the feature provides a very high level of protection for a general purpose microcontroller.

In Flash devices, this protection is removed by reprogramming the option. In this case, the entire program memory is first automatically erased and the device can be reprogrammed.

Readout protection selection depends on the device type:

- In Flash devices it is enabled and removed through the FMP\_R bit in the option byte.
- In ROM devices it is enabled by mask option specified in the Option List.

**Figure 8. Memory map and sector address**

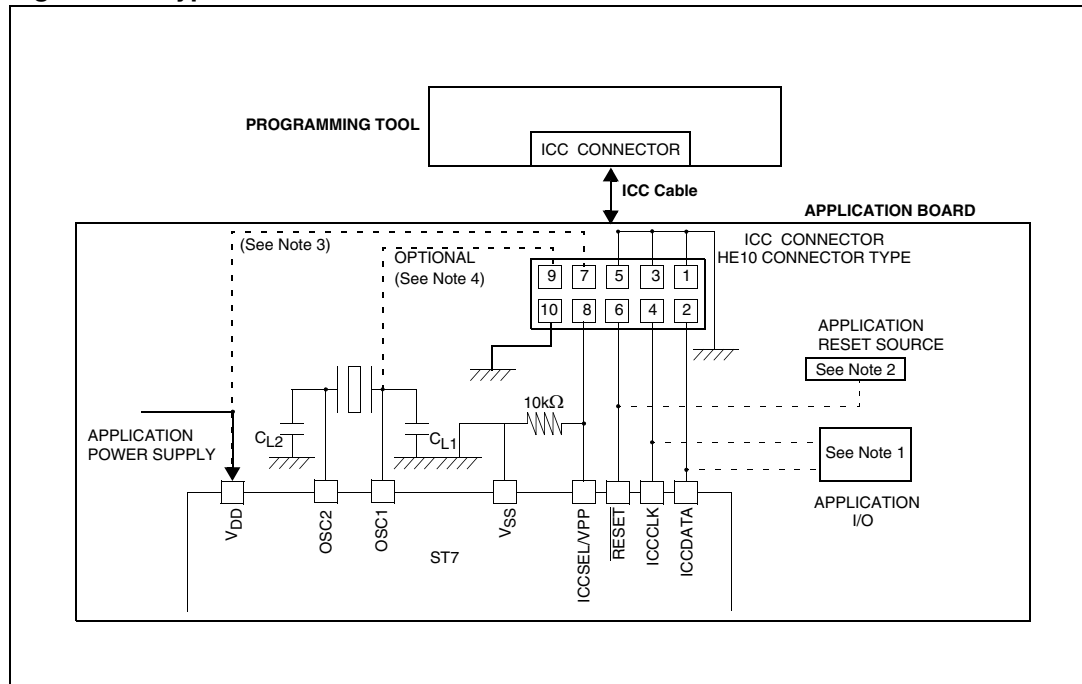


## 4.4 ICC interface

ICC (In-circuit communication) needs a minimum of four and up to six pins to be connected to the programming tool (see [Figure 9](#)). These pins are:

- $\overline{\text{RESET}}$ : device reset
- $V_{SS}$ : device power supply ground
- ICCCLK: ICC output serial clock pin
- ICCDATA: ICC input/output serial data pin
- ICCSEL/ $V_{PP}$ : programming voltage
- OSC1(or OSCIN): main clock input for external source (optional)
- $V_{DD}$ : application board power supply (see [Figure 9](#), Note 3)

Figure 9. Typical ICC interface



1. If the ICCCLK or ICCDATA pins are only used as outputs in the application, no signal isolation is necessary. As soon as the Programming Tool is plugged to the board, even if an ICC session is not in progress, the ICCCLK and ICCDATA pins are not available for the application. If they are used as inputs by the application, isolation such as a serial resistor has to be implemented in case another device forces the signal. Refer to the Programming Tool documentation for recommended resistor values.
2. During the ICC session, the programming tool must control the RESET pin. This can lead to conflicts between the programming tool and the application reset circuit if it drives more than 5mA at high level (push pull output or pull-up resistor < 1K). A schottky diode can be used to isolate the application RESET circuit in this case. When using a classical RC network with  $R > 1K$  or a reset management IC with open drain output and pull-up resistor  $> 1K$ , no additional components are needed. In all cases the user must ensure that no external reset is generated by the application during the ICC session.
3. The use of Pin 7 of the ICC connector depends on the Programming Tool architecture. This pin must be connected when using most ST Programming Tools (it is used to monitor the application power supply). Please refer to the Programming Tool manual.
4. Pin 9 has to be connected to the OSC1 or OSCIN pin of the ST7 when the clock is not available in the application or if the selected clock option is not programmed in the option byte. ST7 devices with multi-oscillator capability need to have OSC2 grounded in this case.

## 4.5 ICP (in-circuit programming)

To perform ICP the microcontroller must be switched to ICC (in-circuit communication) mode by an external controller or programming tool.

Depending on the ICP code downloaded in RAM, Flash memory programming can be fully customized (number of bytes to program, program locations, or selection serial communication interface for downloading).

When using an STMicroelectronics or third-party programming tool that supports ICP and the specific microcontroller device, the user needs only to implement the ICP hardware interface on the application board (see [Figure 9](#)). For more details on the pin locations, refer to the device pinout description.

## 4.6 IAP (in-application programming)

This mode uses a BootLoader program previously stored in Sector 0 by the user (in ICP mode or by plugging the device in a programming tool).

This mode is fully controlled by user software. This allows it to be adapted to the user application, (user-defined strategy for entering programming mode, choice of communications protocol used to fetch the data to be stored, etc.). For example, it is possible to download code from the SCI or other type of serial interface and program it in the Flash. IAP mode can be used to program any of the Flash sectors except Sector 0, which is write/erase protected to allow recovery in case errors occur during the programming operation.

## 4.7 Related documentation

For details on Flash programming and ICC protocol, refer to the *ST7 Flash Programming Reference Manual* and to the *ST7 ICC Protocol Reference Manual*.

## 4.8 Register description

### Flash Control/status register (FCSR)

This register is reserved for use by programming tool software. It controls the Flash programming and erasing operations.

Reset value: 0000 0000 (00h)

7	6	5	4	3	2	1	0
0	0	0	0	0	0	0	0
Read/write							

## 5 Central processing unit

### 5.1 Introduction

This CPU has a full 8-bit architecture and contains six internal registers allowing efficient 8-bit data manipulation.

### 5.2 Main features

- 63 basic instructions
- Fast 8-bit by 8-bit multiply
- 17 main addressing modes
- Two 8-bit index registers
- 16-bit stack pointer
- Low power modes
- Maskable hardware interrupts
- Non-maskable software interrupt

### 5.3 CPU registers

The six CPU registers shown in *Figure* are not present in the memory mapping and are accessed by specific instructions.

#### Accumulator (A)

The Accumulator is an 8-bit general purpose register used to hold operands and the results of the arithmetic and logic calculations and to manipulate data.

#### Index registers (X and Y)

In indexed addressing modes, these 8-bit registers are used to create either effective addresses or temporary storage areas for data manipulation. (The Cross-Assembler generates a precede instruction (PRE) to indicate that the following instruction refers to the Y register.)

The Y register is not affected by the interrupt automatic procedures (not pushed to and popped from the stack).

#### Program Counter (PC)

The program counter is a 16-bit register containing the address of the next instruction to be executed by the CPU. It is made of two 8-bit registers PCL (program counter low which is the LSB) and PCH (program counter high which is the MSB).

**Condition Code register (CC)**

Reset value: 111x1xxx

7	6	5	4	3	2	1	0
1	1	1	H	I	N	Z	C
Read/write							

The 8-bit Condition Code register contains the interrupt mask and four flags representative of the result of the instruction just executed. This register can also be handled by the PUSH and POP instructions.

These bits can be individually tested and/or controlled by specific instructions.

**Bit 4 H Half carry**

This bit is set by hardware when a carry occurs between bits 3 and 4 of the ALU during an ADD or ADC instruction. It is reset by hardware during the same instructions.

0: No half carry has occurred.

1: A half carry has occurred.

This bit is tested using the JRH or JRNH instruction. The H bit is useful in BCD arithmetic subroutines.

**Bit 3 I Interrupt mask**

This bit is set by hardware when entering in interrupt or by software to disable all interrupts except the TRAP software interrupt. This bit is cleared by software.

0: Interrupts are enabled.

1: Interrupts are disabled.

This bit is controlled by the RIM, SIM and IRET instructions and is tested by the JRM and JRNH instructions.

*Note: Interrupts requested while I is set are latched and can be processed when I is cleared. By default an interrupt routine is not interruptible because the I bit is set by hardware at the start of the routine and reset by the IRET instruction at the end of the routine. If the I bit is cleared by software in the interrupt routine, pending interrupts are serviced regardless of the priority level of the current interrupt routine.*

**Bit 2 N Negative**

This bit is set and cleared by hardware. It is representative of the result sign of the last arithmetic, logical or data manipulation. It is a copy of the 7<sup>th</sup> bit of the result.

0: The result of the last operation is positive or null.

1: The result of the last operation is negative (that is, the most significant bit is a logic 1).

This bit is accessed by the JRMI and JRPL instructions.

**Bit 1 Z Zero**

This bit is set and cleared by hardware. This bit indicates that the result of the last arithmetic, logical or data manipulation is zero.

0: The result of the last operation is different from zero.

1: The result of the last operation is zero.

This bit is accessed by the JREQ and JRNE test instructions.

**Bit 0 C Carry/borrow**

This bit is set and cleared by hardware and software. It indicates an overflow or an underflow has occurred during the last arithmetic operation.

0: No overflow or underflow has occurred.

1: An overflow or underflow has occurred.

This bit is driven by the SCF and RCF instructions and tested by the JRC and JRNC instructions. It is also affected by the “bit test and branch”, shift and rotate instructions.

**Stack Pointer (SP)**

Reset value: 017Fh

15	14	13	12	11	10	9	8	7	6	5	4	3	2	1	0
0	0	0	0	0	0	0	1	0	SP6	SP5	SP4	SP3	SP2	SP1	SP0
Read/write															

The Stack Pointer is a 16-bit register which is always pointing to the next free location in the stack. It is then decremented after data has been pushed onto the stack and incremented before data is popped from the stack (see [Figure 10](#)).

Since the stack is 128 bytes deep, the 9 most significant bits are forced by hardware. Following an MCU Reset, or after a Reset Stack Pointer instruction (RSP), the Stack Pointer contains its reset value (the SP6 to SP0 bits are set) which is the stack higher address.

The least significant byte of the Stack Pointer (called S) can be directly accessed by a LD instruction.

*Note: When the lower limit is exceeded, the Stack Pointer wraps around to the stack upper limit, without indicating the stack overflow. The previously stored information is then overwritten and therefore lost. The stack also wraps in case of an underflow.*

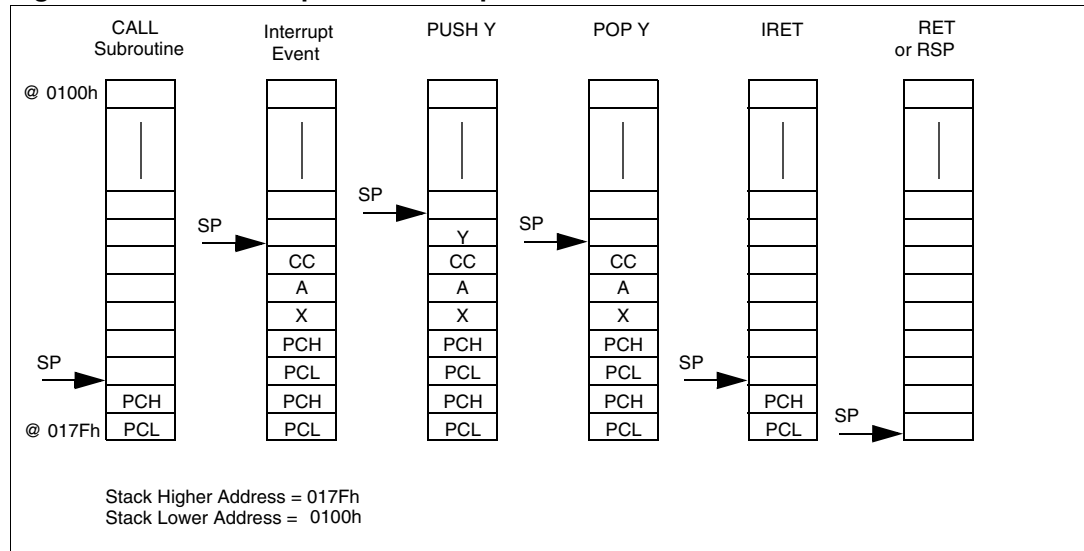
The stack is used to save the return address during a subroutine call and the CPU context during an interrupt. The user may also directly manipulate the stack by means of the PUSH and POP instructions. In the case of an interrupt, the PCL is stored at the first location

pointed to by the SP. Then the other registers are stored in the next locations as shown in [Figure 10](#).

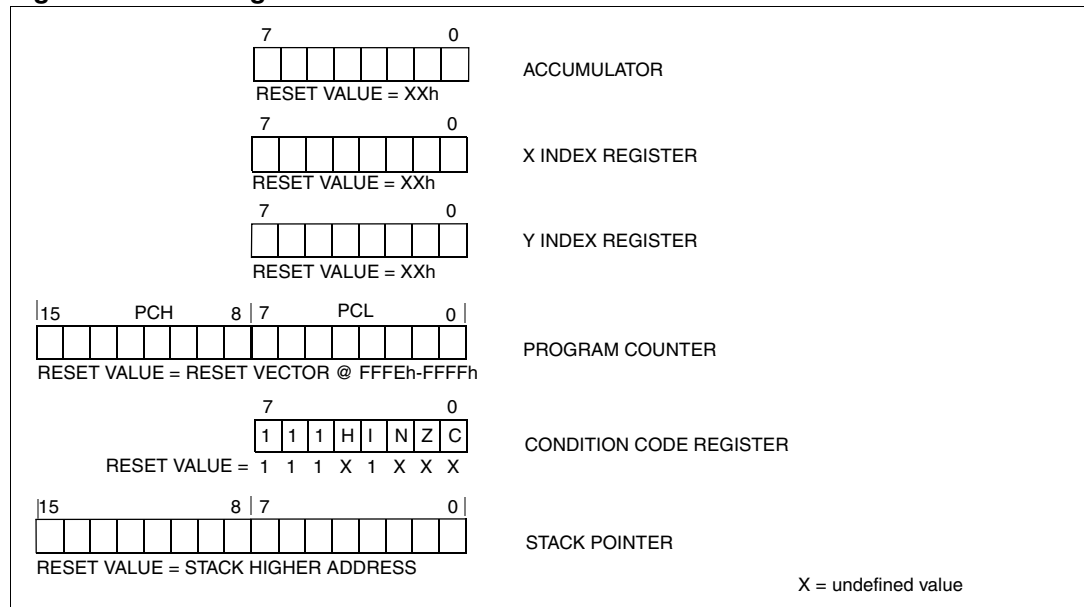
- When an interrupt is received, the SP is decremented and the context is pushed on the stack.
- On return from interrupt, the SP is incremented and the context is popped from the stack.

A subroutine call occupies two locations and an interrupt five locations in the stack area.

**Figure 10. Stack manipulation example**



**Figure 11. CPU registers**



## 6 Reset and clock management

### 6.1 Reset

The Reset procedure is used to provide an orderly software start-up or to exit low power modes.

Three reset modes are provided: a low voltage (LVD) reset, a watchdog reset and an external reset at the  $\overline{\text{RESET}}$  pin.

A reset causes the reset vector to be fetched from addresses FFFEh and FFFFh in order to be loaded into the PC and with program execution starting from this point.

An internal circuitry provides a 4096 CPU clock cycle delay from the time that the oscillator becomes active.

**Caution:** When the ST7 is unprogrammed or fully erased, the Flash is blank and the RESET vector is not programmed. For this reason, it is recommended to keep the RESET pin in low state until programming mode is entered, in order to avoid unwanted behavior.

#### 6.1.1 Low voltage detector (LVD)

Low voltage reset circuitry generates a reset when  $V_{DD}$  is:

- Below  $V_{IT+}$  when  $V_{DD}$  is rising
- Below  $V_{IT-}$  when  $V_{DD}$  is falling

During low voltage reset, the  $\overline{\text{RESET}}$  pin is held low, thus permitting the MCU to reset other devices.

It is recommended to make sure that the  $V_{DD}$  supply voltage rises monotonously when the device is exiting from Reset, to ensure the application functions properly.

#### 6.1.2 Watchdog reset

When a watchdog reset occurs, the  $\overline{\text{RESET}}$  pin is pulled low permitting the MCU to reset other devices in the same way as the low voltage reset ([Figure 12](#)).

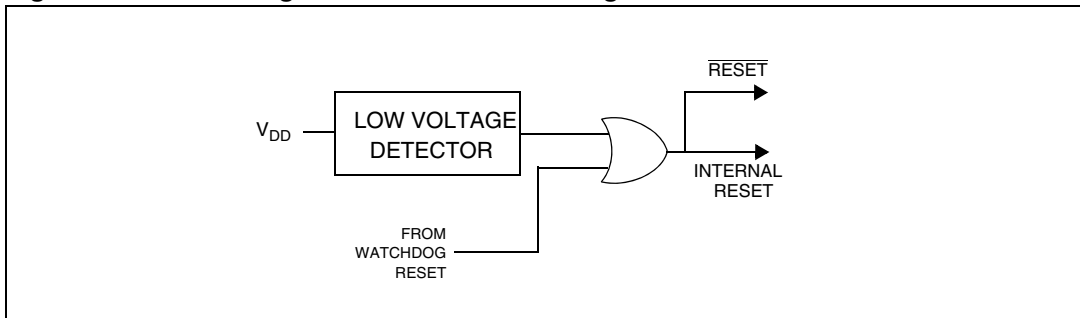
#### 6.1.3 External reset

The external reset is an active low input signal applied to the  $\overline{\text{RESET}}$  pin of the MCU. As shown in [Figure 15](#), the RESET signal must stay low for a minimum of one and a half CPU clock cycles.

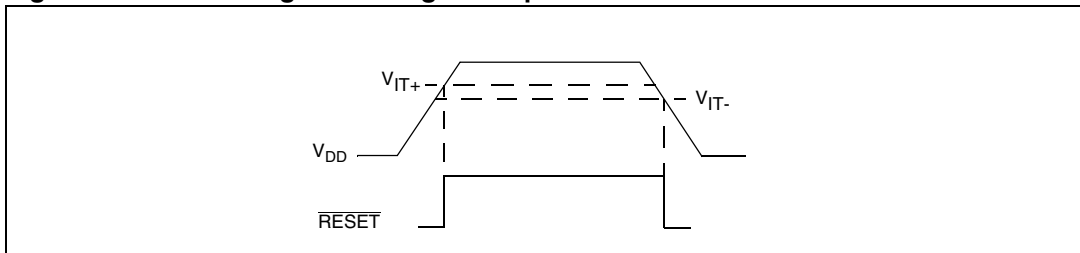
An internal Schmitt trigger at the  $\overline{\text{RESET}}$  pin is provided to improve noise immunity.



**Figure 12. Low voltage detector functional diagram**



**Figure 13. Low Voltage Reset signal output**



1. Hysteresis ( $V_{IT+} - V_{IT-}$ ) =  $V_{hys}$

**Figure 14. Temporization timing diagram after an internal Reset**

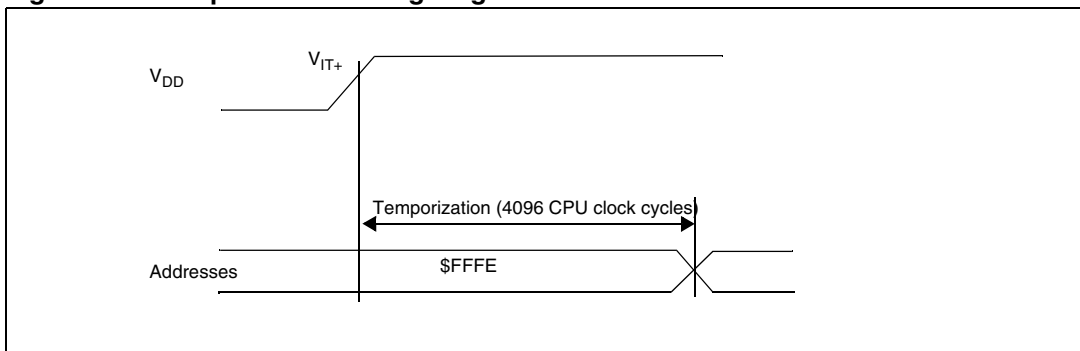
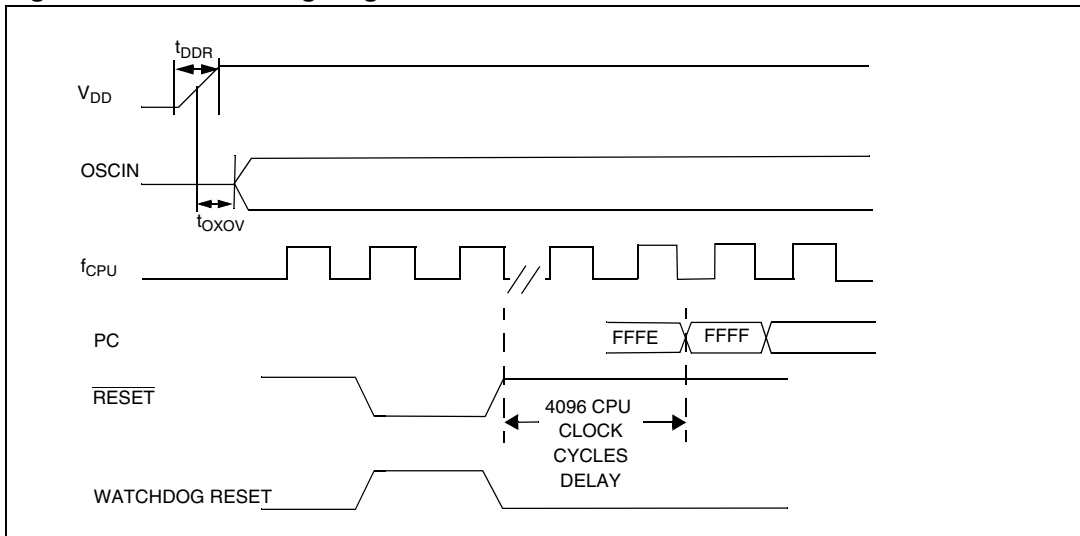


Figure 15. Reset timing diagram



1. Refer to Electrical Characteristics for values of  $t_{DDR}$ ,  $t_{OXOV}$ ,  $V_{IT+}$ ,  $V_{IT-}$  and  $V_{hys}$

## 6.2 Clock system

### 6.2.1 General description

The MCU accepts either a crystal or ceramic resonator, or an external clock signal to drive the internal oscillator. The internal clock ( $f_{\text{CPU}}$ ) is derived from the external oscillator frequency ( $f_{\text{OSC}}$ ), which is divided by 3 (and by 2 or 4 for USB, depending on the external clock used). The internal clock is further divided by 2 by setting the SMS bit in the miscellaneous register.

Using the OSC24/12 bit in the option byte, a 12 MHz or a 24 MHz external clock can be used to provide an internal frequency of either 2, 4 or 8 MHz while maintaining a 6 MHz for the USB (refer to [Figure 18](#)).

The internal clock signal ( $f_{\text{CPU}}$ ) is also routed to the on-chip peripherals. The CPU clock signal consists of a square wave with a duty cycle of 50%.

The internal oscillator is designed to operate with an AT-cut parallel resonant quartz or ceramic resonator in the frequency range specified for  $f_{\text{OSC}}$ . The circuit shown in [Figure 17](#) is recommended when using a crystal, and [Table 8](#) lists the recommended capacitance. The crystal and associated components should be mounted as close as possible to the input pins in order to minimize output distortion and start-up stabilization time.

**Table 8. Recommended Values for 24 MHz crystal resonator**

Recommended capacitance and resistance			
$R_{\text{SMAX}}^{(1)}$	20 $\Omega$	25 $\Omega$	70 $\Omega$
$C_{\text{OSCIN}}$	56pF	47pF	22pF
$C_{\text{OSCOU}}$	56pF	47pF	22pF
$R_{\text{P}}$	1-10 M $\Omega$	1-10 M $\Omega$	1-10 M $\Omega$

1.  $R_{\text{SMAX}}$  is the equivalent serial resistor of the crystal (see crystal specification).

### 6.2.2 External clock

An external clock may be applied to the OSCIN input with the OSCOUT pin not connected, as shown on [Figure 16](#). The  $t_{\text{OXOV}}$  specifications do not apply when using an external clock input. The equivalent specification of the external clock source should be used instead of  $t_{\text{OXOV}}$  (see [Table 62: Control timing characteristics](#)).

**Figure 16. External clock source connections**

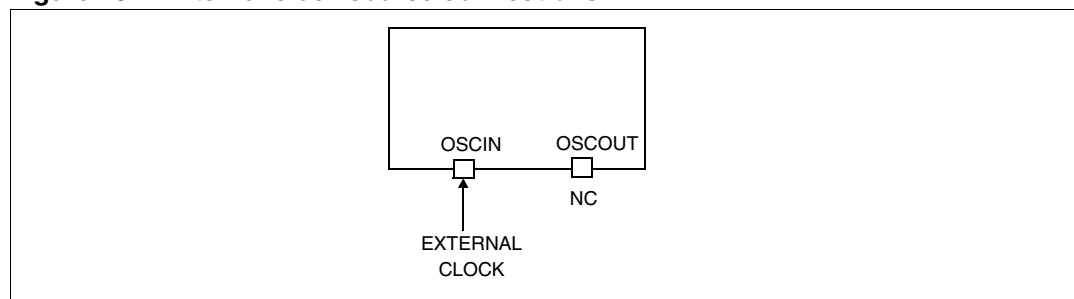


Figure 17. Crystal/ceramic resonator

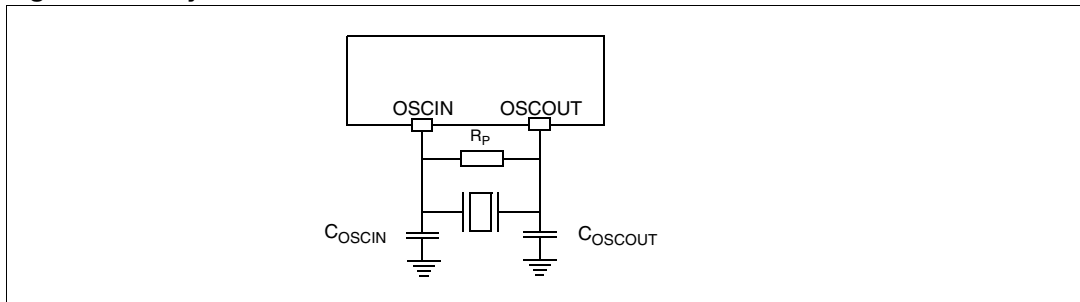
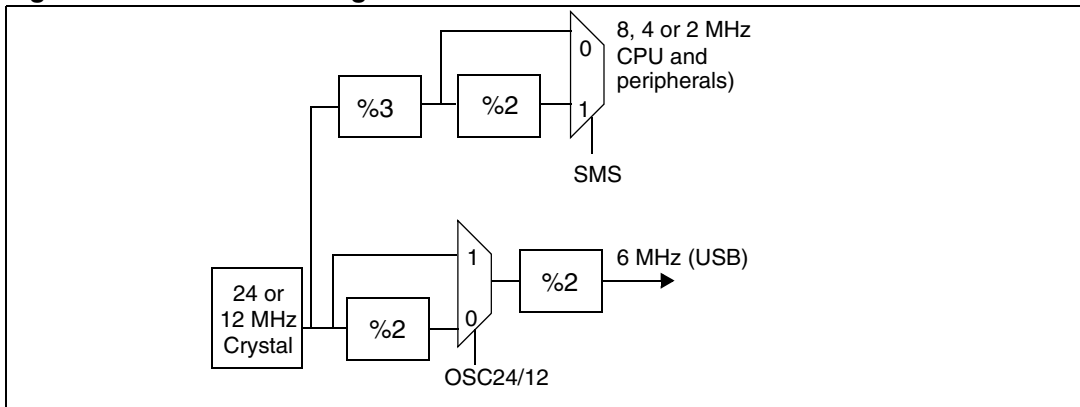


Figure 18. Clock block diagram



## 7 Interrupts

The ST7 core may be interrupted by one of two different methods: maskable hardware interrupts as listed in [Table 9](#) and a non-maskable software interrupt (TRAP). The Interrupt processing flowchart is shown in [Figure 19](#).

The maskable interrupts must be enabled clearing the I bit in order to be serviced. However, disabled interrupts may be latched and processed when they are enabled (see external interrupts subsection).

When an interrupt has to be serviced:

- Normal processing is suspended at the end of the current instruction execution.
- The PC, X, A and CC registers are saved onto the stack.
- The I bit of the CC register is set to prevent additional interrupts.
- The PC is then loaded with the interrupt vector of the interrupt to service and the first instruction of the interrupt service routine is fetched (refer to [Table 9](#) for vector addresses).

The interrupt service routine should finish with the IRET instruction which causes the contents of the saved registers to be recovered from the stack.

*Note:* As a consequence of the IRET instruction, the I bit will be cleared and the main program will resume.

### Priority management

By default, a servicing interrupt cannot be interrupted because the I bit is set by hardware entering in interrupt routine.

In the case several interrupts are simultaneously pending, a hardware priority defines which one will be serviced first (see [Table 9](#)).

### Non-maskable software interrupts

This interrupt is entered when the TRAP instruction is executed regardless of the state of the I bit. It will be serviced according to the flowchart on [Figure 19](#).

### Interrupts and low power mode

All interrupts allow the processor to leave the Wait low power mode. Only external and specific mentioned interrupts allow the processor to leave the Halt low power mode (refer to the "Exit from HALT" column in [Table 9](#)).

### External interrupts

The pins IT<sub>i</sub>/PA<sub>k</sub> and IT<sub>j</sub>/PB<sub>k</sub> (i=1,2; j= 5,6; k=4,5) can generate an interrupt when a rising edge occurs on this pin. Conversely, the IT<sub>l</sub>/PA<sub>n</sub> and IT<sub>m</sub>/PB<sub>n</sub> pins (l=3,4; m= 7,8; n=6,7) can generate an interrupt when a falling edge occurs on this pin.

Interrupt generation will occur if it is enabled with the IT<sub>i</sub>E bit (i=1 to 8) in the ITRFRE register and if the I bit of the CC is reset.

### Peripheral interrupts

Different peripheral interrupt flags in the status register are able to cause an interrupt when they are active if both:

- The I bit of the CC register is cleared.
- The corresponding enable bit is set in the control register.

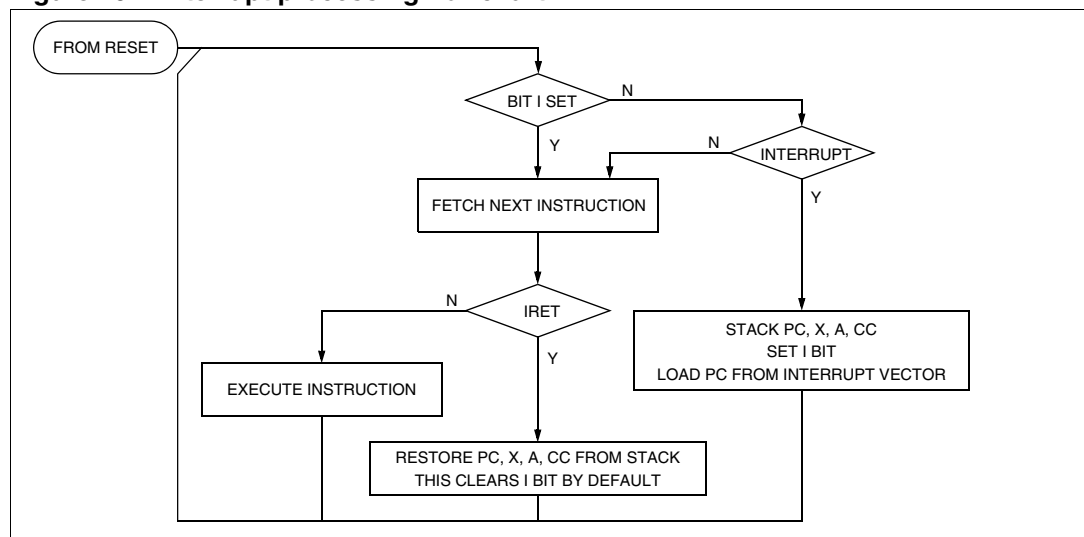
If any of these two conditions is false, the interrupt is latched and thus remains pending.

Clearing an interrupt request is done by one of the two following operations:

- Writing “0” to the corresponding bit in the status register.
- Accessing the status register while the flag is set followed by a read or write of an associated register.

- Note:*
- 1 The clearing sequence resets the internal latch. A pending interrupt (i.e. waiting to be enabled) will therefore be lost if the clear sequence is executed.
  - 2 All interrupts allow the processor to leave the Wait low power mode.
  - 3 Exit from Halt mode may only be triggered by an external interrupt on one of the ITi ports (PA4-PA7 and PB4-PB7), an end suspend mode interrupt coming from USB peripheral, or a reset.

**Figure 19. Interrupt processing flowchart**



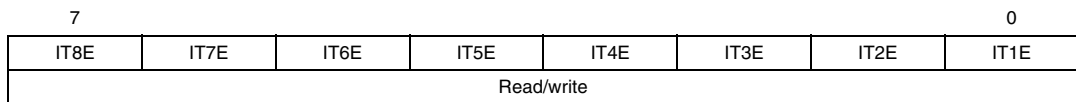
**Table 9. Interrupt mapping**

N°	Source block	Description	Register label	Priority order	Exit from Halt	Vector address
	RESET	Reset	N/A	Highest Priority ↓ Lowest Priority	yes	FFFEh-FFFFh
	TRAP	Software interrupt			no	FFFCh-FFFDh
	FLASH	Flash Start Programming interrupt			yes	FFFAh-FFFBh
	USB	End Suspend mode	ISTR		yes	FFF8h-FFF9h
1	ITi	External interrupts	ITRFRE			FFF6h-FFF7h
2	TIMER	Timer Peripheral interrupts	TIMSR		no	FFF4h-FFF5h
3	I <sup>2</sup> C	I <sup>2</sup> C Peripheral interrupts	I <sup>2</sup> CSR1			FFF2h-FFF3h
			I <sup>2</sup> CSR2			
4	SCI	SCI Peripheral interrupts	SCISR	FFF0h-FFF1h		
5	USB	USB Peripheral interrupts	ISTR	FFEEh-FFEFh		

### 7.1 Interrupt register (ITRFRE)

Address: 0008h

Reset value: 0000 0000 (00h)



[7:0] **TiE (i=1 to 8)**. *Interrupt Enable Control Bits.*

If an ITiE bit is set, the corresponding interrupt is generated when

- A rising edge occurs on the pin PA4/IT1 or PA5/IT2 or PB4/IT5 or PB5/IT6
- Or a falling edge occurs on the pin PA6/IT3 or PA7/IT4 or PB6/IT7 or PB7/IT8

No interrupt is generated elsewhere.

*Note: Analog input must be disabled for interrupts coming from port B.*

## 8 Power saving modes

### 8.1 Introduction

To give a large measure of flexibility to the application in terms of power consumption, two main power saving modes are implemented in the ST7.

After a Reset, the normal operating mode is selected by default (Run mode). This mode drives the device (CPU and embedded peripherals) by means of a master clock which is based on the main oscillator frequency divided by 3 ( $f_{CPU}$ ).

From Run mode, the different power saving modes may be selected by setting the relevant register bits or by calling the specific ST7 software instruction whose action depends on the oscillator status.

### 8.2 Halt mode

The MCU consumes the least amount of power in Halt mode. The Halt mode is entered by executing the Halt instruction. The internal oscillator is then turned off, causing all internal processing to be stopped, including the operation of the on-chip peripherals.

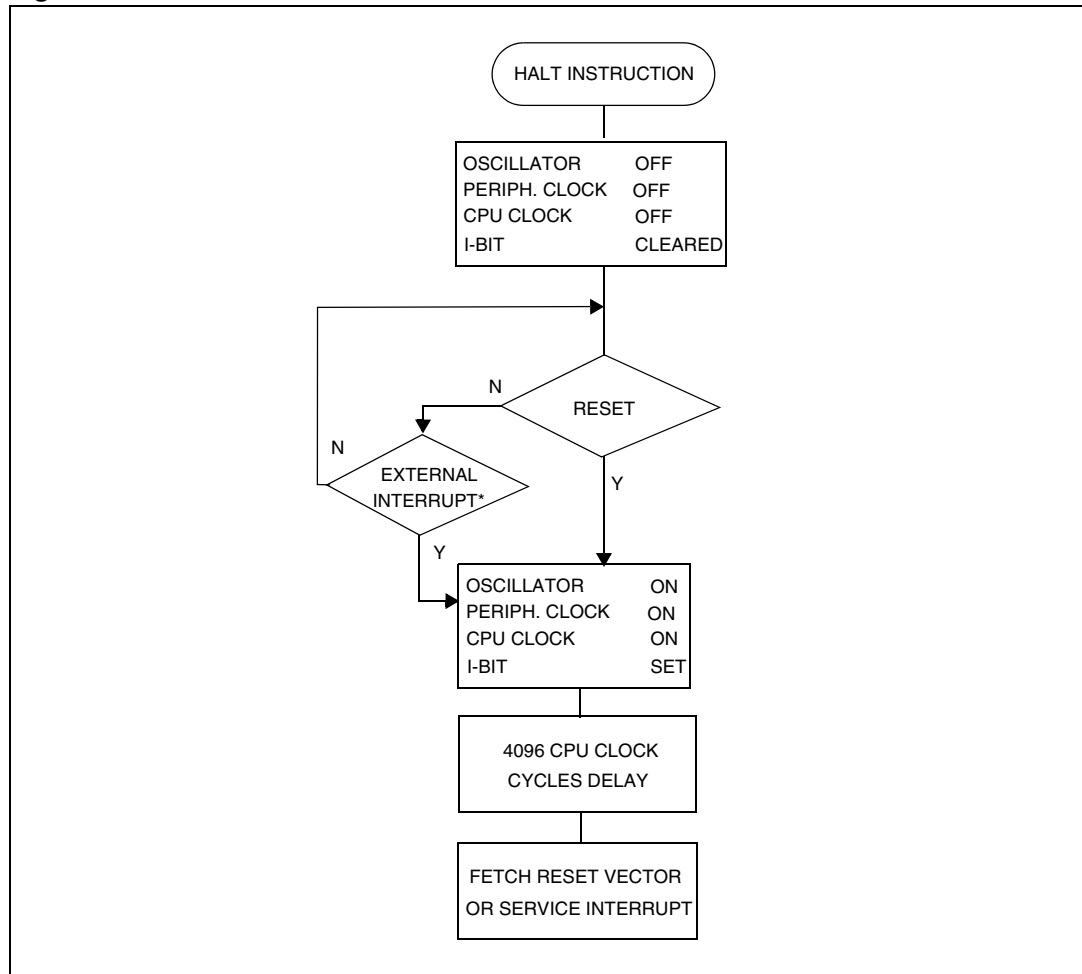
When entering Halt mode, the I bit in the Condition Code register is cleared. Thus, all external interrupts (ITi or USB end suspend mode) are allowed and if an interrupt occurs, the CPU clock becomes active.

The MCU can exit Halt mode on reception of either an external interrupt on ITi, an end suspend mode interrupt coming from USB peripheral, or a reset. The oscillator is then turned on and a stabilization time is provided before releasing CPU operation. The stabilization time is 4096 CPU clock cycles.

After the start up delay, the CPU continues operation by servicing the interrupt which wakes it up or by fetching the reset vector if a reset wakes it up.



Figure 20. Halt mode flowchart



1. Before servicing an interrupt, the CC register is pushed on the stack. The I-Bit is set during the interrupt routine and cleared when the CC register is popped.

### 8.3 Slow mode

In Slow mode, the oscillator frequency can be divided by 2 as selected by the SMS bit in the Miscellaneous register. The CPU and peripherals are clocked at this lower frequency. Slow mode is used to reduce power consumption, and enables the user to adapt the clock frequency to the available supply voltage.

### 8.4 Wait mode

Wait mode places the MCU in a low power consumption mode by stopping the CPU.

This power saving mode is selected by calling the “WFI” ST7 software instruction.

All peripherals remain active. During Wait mode, the I bit of the CC register is forced to 0 to enable all interrupts. All other registers and memory remain unchanged. The MCU remains in Wait mode until an interrupt or Reset occurs, whereupon the Program Counter branches to the starting address of the interrupt or Reset service routine.

The MCU will remain in Wait mode until a Reset or an interrupt occurs, causing it to wake up. Refer to [Figure 21](#).

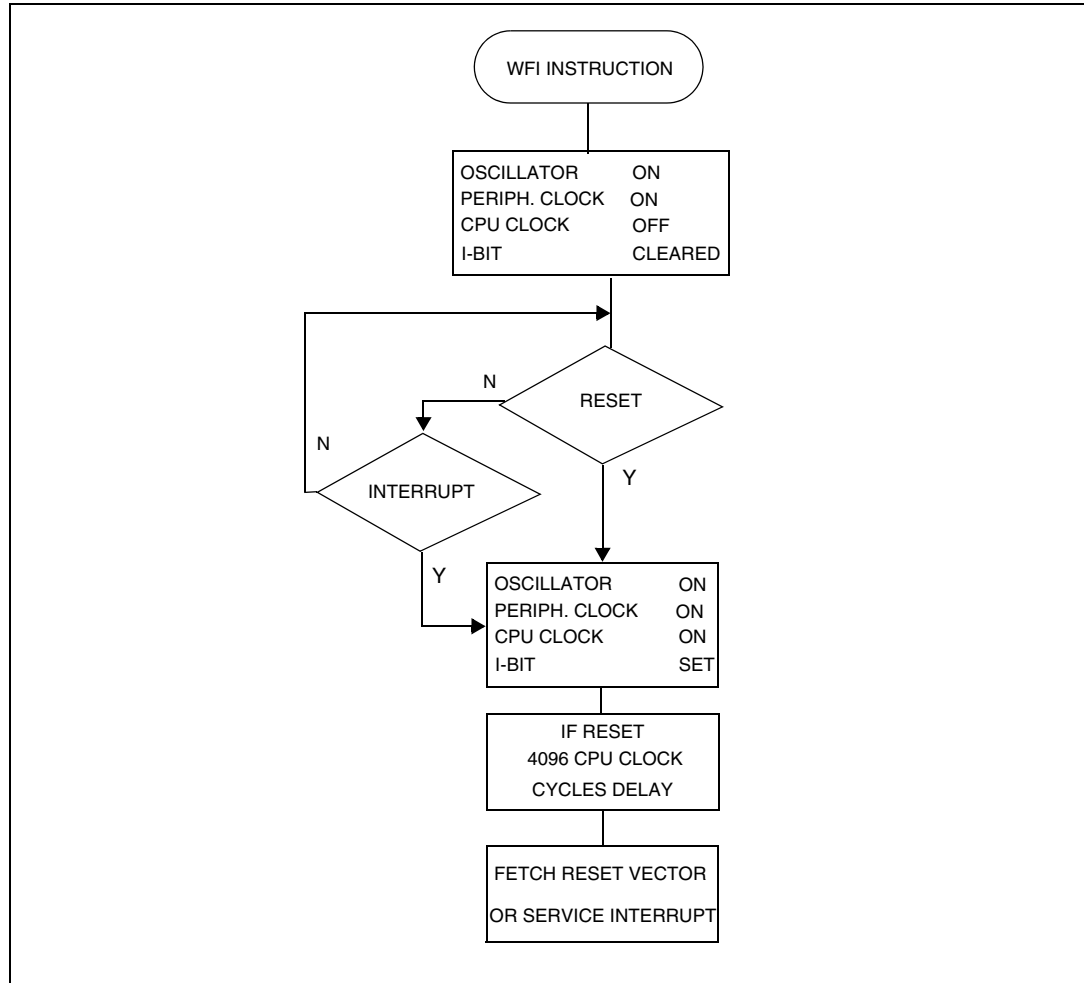
**Related documentation**

AN 980: ST7 Keypad Decoding Techniques, Implementing Wakeup on Keystroke

AN1014: How to Minimize the ST7 Power Consumption

AN1605: Using an active RC to wakeup the ST7LITE0 from power saving mode

**Figure 21. Wait mode flowchart**



1. Before servicing an interrupt, the CC register is pushed on the stack. The I-Bit is set during the interrupt routine and cleared when the CC register is popped.

## 9 I/O ports

### 9.1 Introduction

The I/O ports offer different functional modes:

- Transfer of data through digital inputs and outputs and for specific pins
- Analog signal input (ADC)
- Alternate signal input/output for the on-chip peripherals
- External interrupt generation

An I/O port consists of up to 8 pins. Each pin can be programmed independently as a digital input (with or without interrupt generation) or a digital output.

### 9.2 Functional description

Each port is associated to 2 main registers:

- Data register (DR)
- Data Direction register (DDR)

Each I/O pin may be programmed using the corresponding register bits in DDR register: bit X corresponding to pin X of the port. The same correspondence is used for the DR register.

**Table 10. I/O pin functions**

DDR	Mode
0	Input
1	Output

#### Input modes

The input configuration is selected by clearing the corresponding DDR register bit.

In this case, reading the DR register returns the digital value applied to the external I/O pin.

- Note:*
- 1 All the inputs are triggered by a Schmitt trigger.
  - 2 When switching from input mode to output mode, the DR register should be written first to output the correct value as soon as the port is configured as an output.

#### Interrupt function

When an I/O is configured as an input with interrupt, an event on this I/O can generate an external interrupt request to the CPU. The interrupt sensitivity is given independently according to the description mentioned in the ITRFRE interrupt register.

Each pin can independently generate an interrupt request.

Each external interrupt vector is linked to a dedicated group of I/O port pins (see interrupts section). If more than one input pin is selected simultaneously as an interrupt source, this is logically ORed. For this reason if one of the interrupt pins is tied low, the other ones are masked.

### Output mode

The pin is configured in output mode by setting the corresponding DDR register bit (see Table 7).

In this mode, writing “0” or “1” to the DR register applies this digital value to the I/O pin through the latch. Therefore, the previously saved value is restored when the DR register is read.

*Note:* The interrupt function is disabled in this mode.

### Digital alternate function

When an on-chip peripheral is configured to use a pin, the alternate function is automatically selected. This alternate function takes priority over standard I/O programming. When the signal is coming from an on-chip peripheral, the I/O pin is automatically configured in output mode (push-pull or open drain according to the peripheral).

When the signal is going to an on-chip peripheral, the I/O pin has to be configured in input mode. In this case, the pin’s state is also digitally readable by addressing the DR register.

- Note:*
- 1 *Input pull-up configuration can cause an unexpected value at the input of the alternate peripheral input.*
  - 2 *When the on-chip peripheral uses a pin as input and output, this pin must be configured as an input (DDR = 0).*

**Caution:** The alternate function must not be activated as long as the pin is configured as an input with interrupt in order to avoid generating spurious interrupts.

### Analog alternate function

When the pin is used as an ADC input the I/O must be configured as a floating input. The analog multiplexer (controlled by the ADC registers) switches the analog voltage present on the selected pin to the common analog rail which is connected to the ADC input.

It is recommended not to change the voltage level or loading on any port pin while conversion is in progress. Furthermore it is recommended not to have clocking pins located close to a selected analog pin.

---

**Warning:** The analog input voltage level must be within the limits stated in the absolute maximum ratings.

---

### 9.3 I/O port implementation

The hardware implementation on each I/O port depends on the settings in the DDR register and specific feature of the I/O port such as ADC input or true open drain.

#### 9.3.1 Port A

Table 11. Port A0, A3, A4, A5, A6, A7 description

PORT A	I/Os		Alternate function	
	Input <sup>(1)</sup>	Output	Signal	Condition
PA0	with pull-up	push-pull	MCO (Main Clock output)	MCO = 1 (MISCR)
PA3	with pull-up	push-pull	Timer EXTCLK	CC1 = 1 CC0 = 1 (Timer CR2)
PA4	with pull-up	Push-pull	Timer ICAP1	
			IT1 Schmitt triggered input	IT1E = 1 (ITIFRE)
PA5	with pull-up	Push-pull	Timer ICAP2	
			IT2 Schmitt triggered input	IT2E = 1 (ITIFRE)
PA6 <sup>(2)</sup>	with pull-up	Push-pull	Timer OCMP1	OC1E = 1
			IT3 Schmitt triggered input	IT3E = 1 (ITIFRE)
PA7	with pull-up	Push-pull	Timer OCMP2	OC2E = 1
			IT4 Schmitt triggered input	IT4E = 1 (ITIFRE)

1. Reset state.
2. Not available on SO24

Figure 22. PA0, PA3, PA4, PA5, PA6, PA7 and PD[7:4] configuration

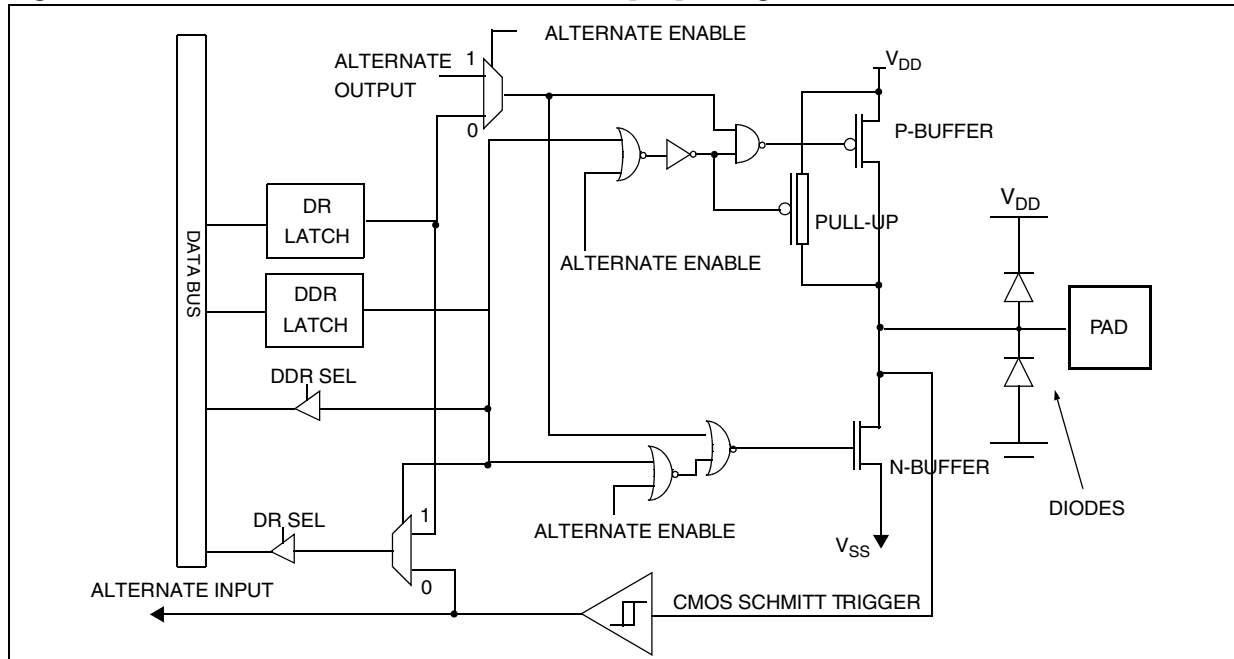
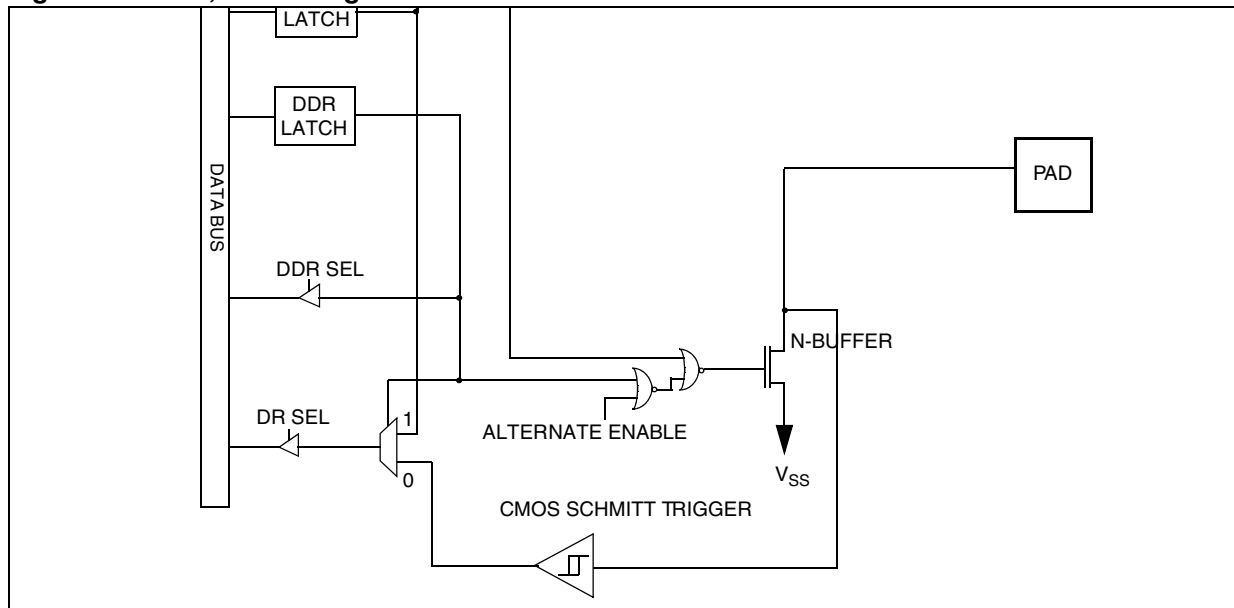


Table 12. PA1, PA2 description<sup>(1)</sup>

Port A	I / O		Alternate function	
	Input <sup>1</sup>	Output	Signal	Condition
PA1	without pull-up	Very high current open drain	SDA (I <sup>2</sup> C data)	I <sup>2</sup> C enable
PA2	without pull-up	Very high current open drain	SCL (I <sup>2</sup> C clock)	I <sup>2</sup> C enable

1. Reset state.

Figure 23. PA1, PA2 configuration



### 9.3.2 Port B

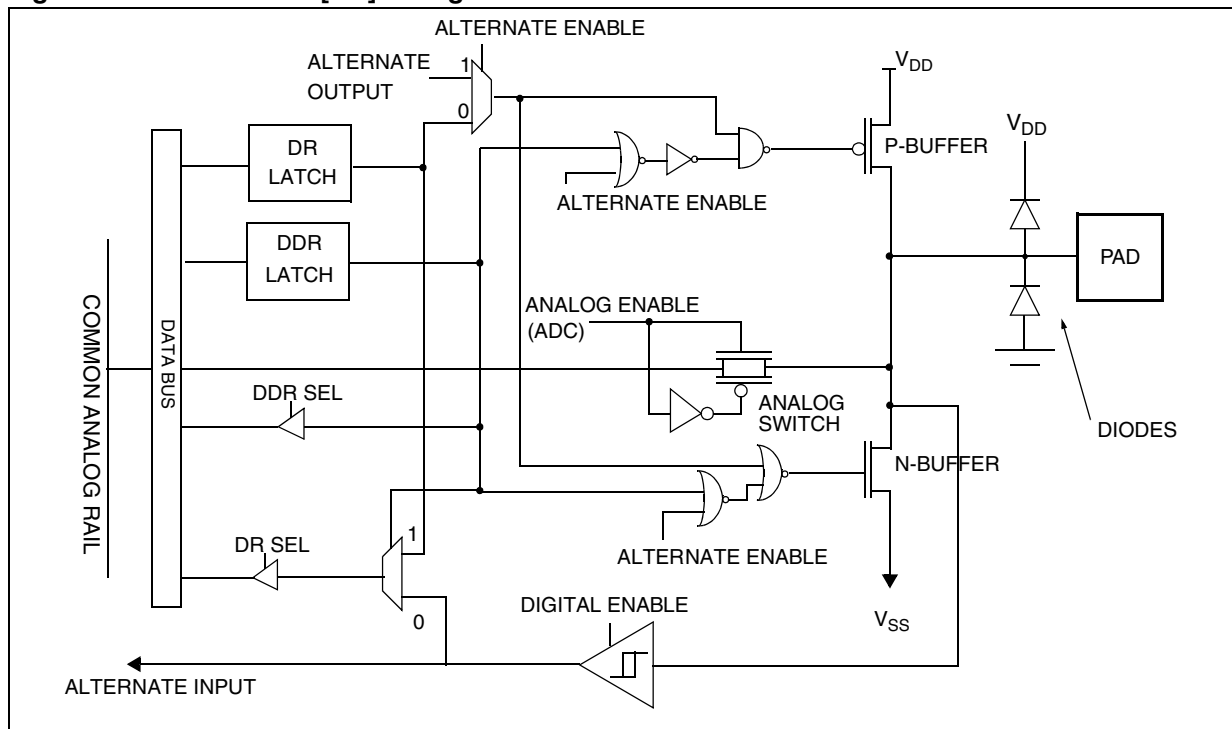
Table 13. Port B description

Port B	I/O		Alternate function	
	Input <sup>(1)</sup>	Output	Signal	Condition
PB0	without pull-up	push-pull	Analog input (ADC)	CH[3:0] = 000 (ADCCSR)
PB1	without pull-up	push-pull	Analog input (ADC)	CH[3:0] = 001 (ADCCSR)
			USBOE (USB output enable) <sup>(2)</sup>	USBOE = 1 (MISCR)
PB2	without pull-up	push-pull	Analog input (ADC)	CH[3:0] = 010 (ADCCSR)
PB3	without pull-up	push-pull	Analog input (ADC)	CH[3:0] = 011 (ADCCSR)
PB4	without pull-up	push-pull	Analog input (ADC)	CH[3:0] = 100 (ADCCSR)
			IT5 Schmitt triggered input	IT5E = 1 (ITIFRE)
PB5	without pull-up	push-pull	Analog input (ADC)	CH[3:0] = 101 (ADCCSR)
			IT6 Schmitt triggered input	IT6E = 1 (ITIFRE)
PB6	without pull-up	push-pull	Analog input (ADC)	CH[3:0] = 110 (ADCCSR)
			IT7 Schmitt triggered input	IT7E = 1 (ITIFRE)
PB7	without pull-up	push-pull	Analog input (ADC)	CH[3:0] = 111 (ADCCSR)
			IT8 Schmitt triggered input	IT8E = 1 (ITIFRE)

1. Reset State

2. On SO24 only

Figure 24. Port B and D[3:0] configuration





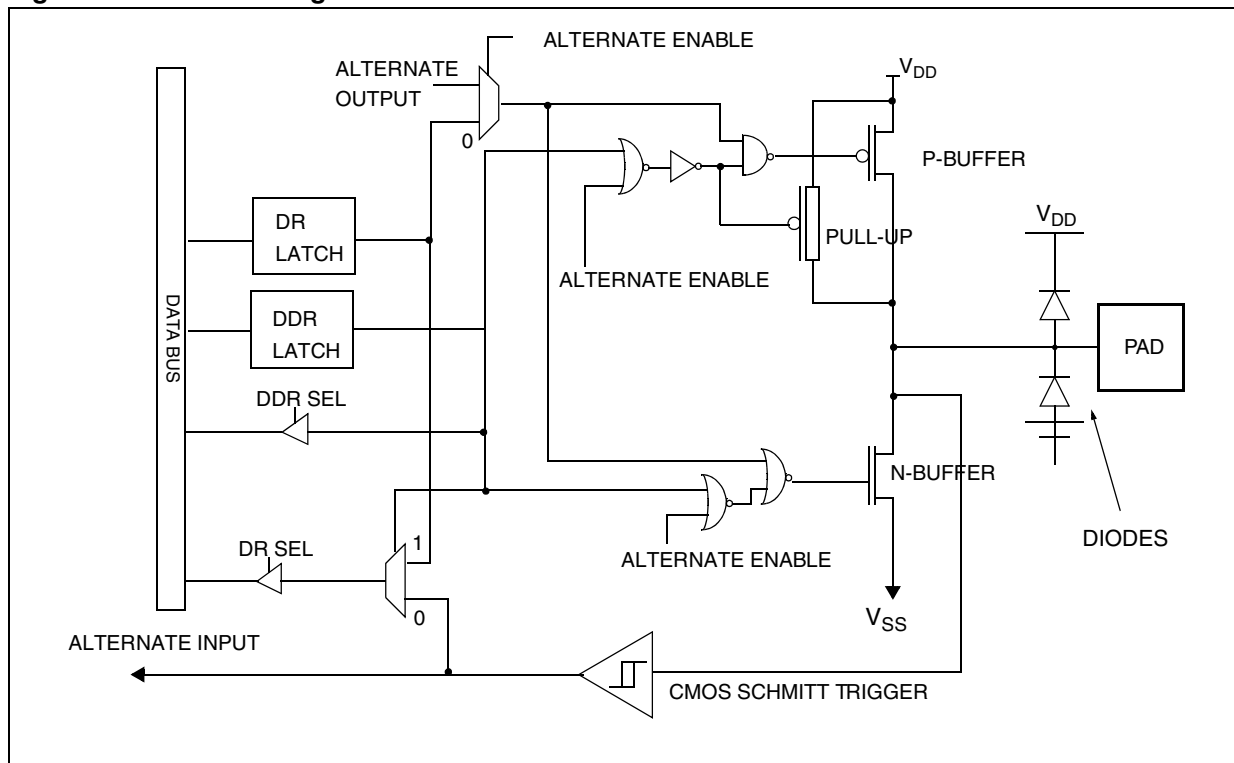
### 9.3.3 Port C

Table 14. Port C description

Port C	I / O		Alternate function	
	Input <sup>(1)</sup>	Output	Signal	Condition
PC0	with pull-up	push-pull	RDI (SCI input)	
PC1	with pull-up	push-pull	TDO (SCI output)	SCI enable
PC2 <sup>(2)</sup>	with pull-up	push-pull	USBOE (USB output enable)	USBOE =1 (MISCR)

1. Reset state
2. Not available on SO24

Figure 25. Port C configuration



### 9.3.4 Port D

**Table 15. Port D description**

Port D	I / O		Alternate function	
	Input <sup>(1)</sup>	Output	Signal	Condition
PD0	without pull-up	push-pull	Analog input (ADC)	CH[3:0] = 1000 (ADCCSR)
PD1	without pull-up	push-pull	Analog input (ADC)	CH[3:0] = 1001 (ADCCSR)
PD2	without pull-up	push-pull	Analog input (ADC)	CH[3:0] = 1010 (ADCCSR)
PD3	without pull-up	push-pull	Analog input (ADC)	CH[3:0] = 1011 (ADCCSR)
PD4	with pull-up	push-pull		
PD5	with pull-up	push-pull		
PD6	with pull-up	push-pull		
PD7	with pull-up	push-pull		

1. Reset state

### 9.3.5 Register description

#### DATA registers (PxDR)

Address

Port A Data register (PADR): 0000h  
 Port B Data register (PBDR): 0002h  
 Port C Data register (PCDR): 0004h  
 Port D Data register (PDDR): 0006h

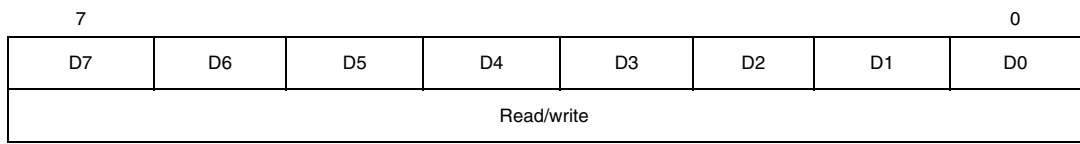
Reset value

Port A: 0000 0000 (00h)  
 Port B: 0000 0000 (00h)  
 Port C: 1111 x000 (FXh)  
 Port D: 0000 0000 (00h)

*Note:* For Port C, unused bits (7-3) are not accessible.

The DR register has a specific behavior according to the selected input/output configuration. Writing the DR register is always taken into account even if the pin is configured as an input. Reading the DR register returns either the DR register latch content (pin configured as output) or the digital value applied to the I/O pin (pin configured as input).

*Note:* When using open-drain I/Os in output configuration, the value read in DR is the digital value applied to the I/O pin.



[7:0] **D[7:0]** Data register 8 bits.

**Data Direction register (PxDDR)**

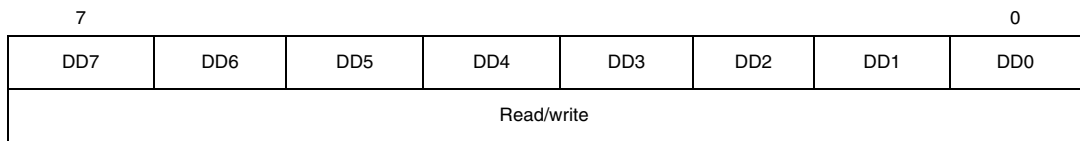
Address

- Port A Data Direction register (PADDR): 0001h
- Port B Data Direction register (PBDDR): 0003h
- Port C Data Direction register (PCDDR): 0005h
- Port D Data Direction register (PDDDR): 0007h

Reset value

- Port A: 0000 0000 (00h)
- Port B: 0000 0000 (00h)
- Port C: 1111 x000 (FXh)
- Port D: 0000 0000 (00h)

*Note:* For Port C, unused bits (7-3) are not accessible



[7:0]D **D[7:0]** Data Direction register 8 bits.

The DDR register gives the input/output direction configuration of the pins. Each bit is set and cleared by software.

- 0: input mode
- 1: output mode

**Table 16. I/O ports register map**

Address (Hex.)	Register Label	7	6	5	4	3	2	1	0
00	PADR	MSB							LSB
01	PADDR	MSB							LSB
02	PBDR	MSB							LSB
03	PBDDR	MSB							LSB
04	PCDR	MSB							LSB
05	PCDDR	MSB							LSB
06	PDDR	MSB							LSB
07	PDDDR	MSB							LSB

### 9.3.6 Related documentation

AN1045: S/W implementation of I<sup>2</sup>C bus master

AN1048: Software LCD driver

## 10 Miscellaneous register

### Miscellaneous register (MISCR)

Address: 0009h

Reset value: 0000 0000 (00h)

7	-	-	-	-	-	SMS	USBOE	MCO	0
Read/write									

[7:3] Reserved

2 **SMS** *Slow mode Select.*

This bit is set by software and only cleared by hardware after a reset. If this bit is set, it enables the use of an internal divide-by-2 clock divider (refer to [Figure 18 on page 36](#)). The SMS bit has no effect on the USB frequency.

0: Divide-by-2 disabled and CPU clock frequency is standard

1: Divide-by-2 enabled and CPU clock frequency is halved.

1 **USBOE** *USB enable.*

If this bit is set, the port PC2 (PB1 on SO24) outputs the USB output enable signal (at "1" when the ST7 USB is transmitting data).

Unused bits 7-4 are set.

0 **MCO** *Main Clock Out selection*

This bit enables the MCO alternate function on the PA0 I/O port. It is set and cleared by software.

0: MCO alternate function disabled (I/O pin free for general-purpose I/O)

1: MCO alternate function enabled ( $f_{CPU}$  on I/O port)

# 11 On-chip peripherals

## 11.1 Watchdog timer (WDG)

### 11.1.1 Introduction

The Watchdog timer is used to detect the occurrence of a software fault, usually generated by external interference or by unforeseen logical conditions, which causes the application program to abandon its normal sequence. The Watchdog circuit generates an MCU reset on expiry of a programmed time period, unless the program refreshes the counter's contents before the T6 bit becomes cleared.

### 11.1.2 Main features

- Programmable free-running counter (64 increments of 49,152 CPU cycles)
- Programmable reset
- Reset (if watchdog activated) when the T6 bit reaches zero
- Optional reset on HALT instruction (configurable by option byte)
- Hardware Watchdog selectable by option byte.

### 11.1.3 Functional description

The counter value stored in the CR register (bits T6:T0), is decremented every 49,152 machine cycles, and the length of the timeout period can be programmed by the user in 64 increments.

If the watchdog is activated (the WDGA bit is set) and when the 7-bit timer (bits T6:T0) rolls over from 40h to 3Fh (T6 becomes cleared), it initiates a reset cycle by driving low the reset pin for  $t_{W(RSTL)out}$  (see [Table 72](#)).

The application program must write in the CR register at regular intervals during normal operation to prevent an MCU reset. This down counter is free-running: it counts down even if the watchdog is disabled. The value to be stored in the CR register must be between FFh and C0h (see [Table 17](#)):

- The WDGA bit is set (watchdog enabled)
- The T6 bit is set to prevent generating an immediate reset
- The T5:T0 bits contain the number of increments which represents the time delay before the watchdog produces a reset.

Figure 26. Watchdog block diagram

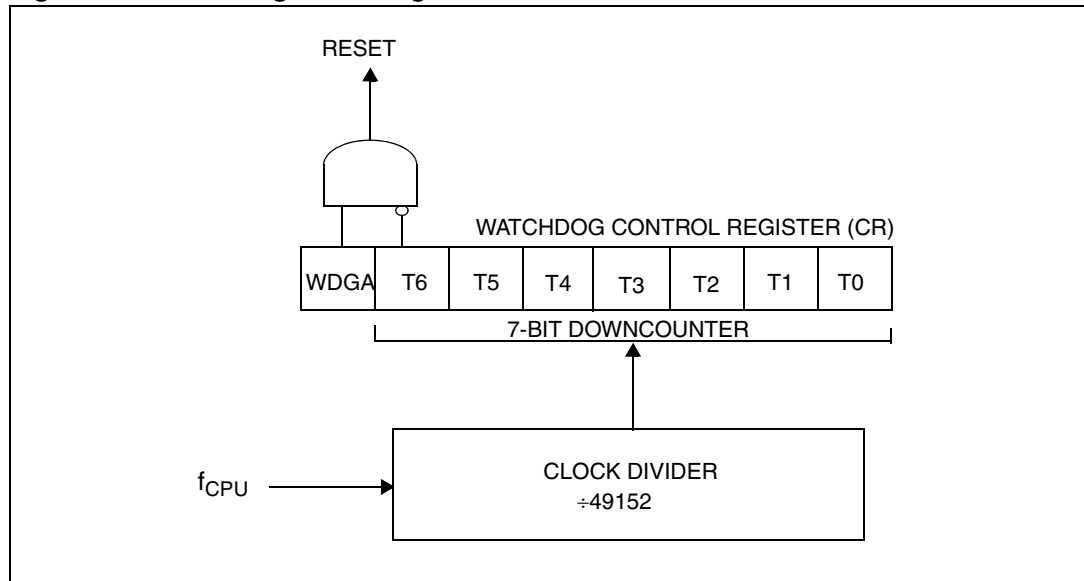


Table 17. Watchdog timing ( $f_{CPU} = 8 \text{ MHz}$ )

CR register initial value		WDG timeout period (ms)
Max	FFh	393.216
Min	C0h	6.144

*Note:* Following a reset, the watchdog is disabled. Once activated it cannot be disabled, except by a reset.

The T6 bit can be used to generate a software reset (the WDGA bit is set and the T6 bit is cleared).

### 11.1.4 Software Watchdog option

If Software Watchdog is selected by option byte, the watchdog is disabled following a reset. Once activated it cannot be disabled, except by a reset.

The T6 bit can be used to generate a software reset (the WDGA bit is set and the T6 bit is cleared).

### 11.1.5 Hardware Watchdog option

If Hardware Watchdog is selected by option byte, the watchdog is always active and the WDGA bit in the CR is not used.

### 11.1.6 Low power modes

#### WAIT instruction

No effect on Watchdog.

### HALT instruction

If the Watchdog reset on HALT option is selected by option byte, a HALT instruction causes an immediate reset generation if the Watchdog is activated (WDGA bit is set).

### Using Halt mode with the WDG (option)

If the Watchdog reset on HALT option is not selected by option byte, the Halt mode can be used when the watchdog is enabled.

In this case, the HALT instruction stops the oscillator. When the oscillator is stopped, the WDG stops counting and is no longer able to generate a reset until the microcontroller receives an external interrupt or a reset.

If an external interrupt is received, the WDG restarts counting after 4096 CPU clocks. If a reset is generated, the WDG is disabled (reset state).

Recommendations:

- Make sure that an external event is available to wake up the microcontroller from Halt mode.
- Before executing the HALT instruction, refresh the WDG counter, to avoid an unexpected WDG reset immediately after waking up the microcontroller.
- When using an external interrupt to wake up the microcontroller, reinitialize the corresponding I/O as “Input Pull-up with interrupt” before executing the HALT instruction. The main reason for this is that the I/O may be wrongly configured due to external interference or by an unforeseen logical condition.
- For the same reason, reinitialize the level sensitiveness of each external interrupt as a precautionary measure.
- The opcode for the HALT instruction is 0x8E. To avoid an unexpected HALT instruction due to a program counter failure, it is advised to clear all occurrences of the data value 0x8E from memory. For example, avoid defining a constant in ROM with the value 0x8E.
- As the HALT instruction clears the I bit in the CC register to allow interrupts, the user may choose to clear all pending interrupt bits before executing the HALT instruction. This avoids entering other peripheral interrupt routines after executing the external interrupt routine corresponding to the wakeup event (reset or external interrupt).

### 11.1.7 Interrupts

None.



### 11.1.8 Register description

#### Control register (CR)

Reset value: 0111 1111 (7Fh)

7								0
WDGA	T6	T5	T4	T3	T2	T1	T0	
Read/write								

**7 WDGA Activation bit.**

This bit is set by software and only cleared by hardware after a reset. When WDGA = 1, the watchdog can generate a reset.

- 0: Watchdog disabled
- 1: Watchdog enabled

**[6:0] T[6:0] 7-bit timer (MSB to LSB).**

These bits contain the decremented value. A reset is produced when it rolls over from 40h to 3Fh (T6 becomes cleared).

**Table 18. Watchdog timer register map and reset values**

Address (Hex.)	Register Label	7	6	5	4	3	2	1	0
0Ch	WDGCR Reset value	WDGA 0	T6 1	T5 1	T4 1	T3 1	T2 1	T1 1	T0 1

## 11.2 16-bit timer

### 11.2.1 Introduction

The timer consists of a 16-bit free-running counter driven by a programmable prescaler.

It may be used for a variety of purposes, including pulse length measurement of up to two input signals (*input capture*) or generation of up to two output waveforms (*output compare* and *PWM*).

Pulse lengths and waveform periods can be modulated from a few microseconds to several milliseconds using the timer prescaler and the CPU clock prescaler.

Some ST7 devices have two on-chip 16-bit timers. They are completely independent, and do not share any resources. They are synchronized after a MCU reset as long as the timer clock frequencies are not modified.

This description covers one or two 16-bit timers. In ST7 devices with two timers, register names are prefixed with TA (Timer A) or TB (Timer B).

### 11.2.2 Main features

- Programmable prescaler:  $f_{\text{CPU}}$  divided by 2, 4 or 8
- Overflow status flag and maskable interrupt
- External clock input (must be at least four times slower than the CPU clock speed) with the choice of active edge
- 1 or 2 output Compare functions each with:
  - 2 dedicated 16-bit registers
  - 2 dedicated programmable signals
  - 2 dedicated status flags
  - 1 dedicated maskable interrupt
- 1 or 2 input Capture functions each with:
  - 2 dedicated 16-bit registers
  - 2 dedicated active edge selection signals
  - 2 dedicated status flags
  - 1 dedicated maskable interrupt
- Pulse width modulation mode (PWM)
- One Pulse mode
- Reduced Power mode
- 5 alternate functions on I/O ports (ICAP1, ICAP2, OCMP1, OCMP2, EXTCLK)\*

The Block Diagram is shown in [Figure 27](#).

*Note:* Some timer pins may not be available (not bonded) in some ST7 devices. Refer to the device pin out description.  
When reading an input signal on a non-bonded pin, the value will always be '1'.

### 11.2.3 Functional description

#### Counter

The main block of the Programmable Timer is a 16-bit free running upcounter and its associated 16-bit registers. The 16-bit registers are made up of two 8-bit registers called high and low.

- Counter register (CR)  
Counter High register (CHR) is the most significant byte (MSB).  
Counter Low register (CLR) is the least significant byte (LSB).
- Alternate Counter register (ACR)  
Alternate Counter High register (ACHR) is the most significant byte (MSB).  
Alternate Counter Low register (ACLR) is the least significant byte (LSB).

These two read-only 16-bit registers contain the same value but with the difference that reading the ACLR register does not clear the TOF bit (Timer overflow flag), located in the Status register, (SR), (see note at the end of paragraph titled 16-bit read sequence).

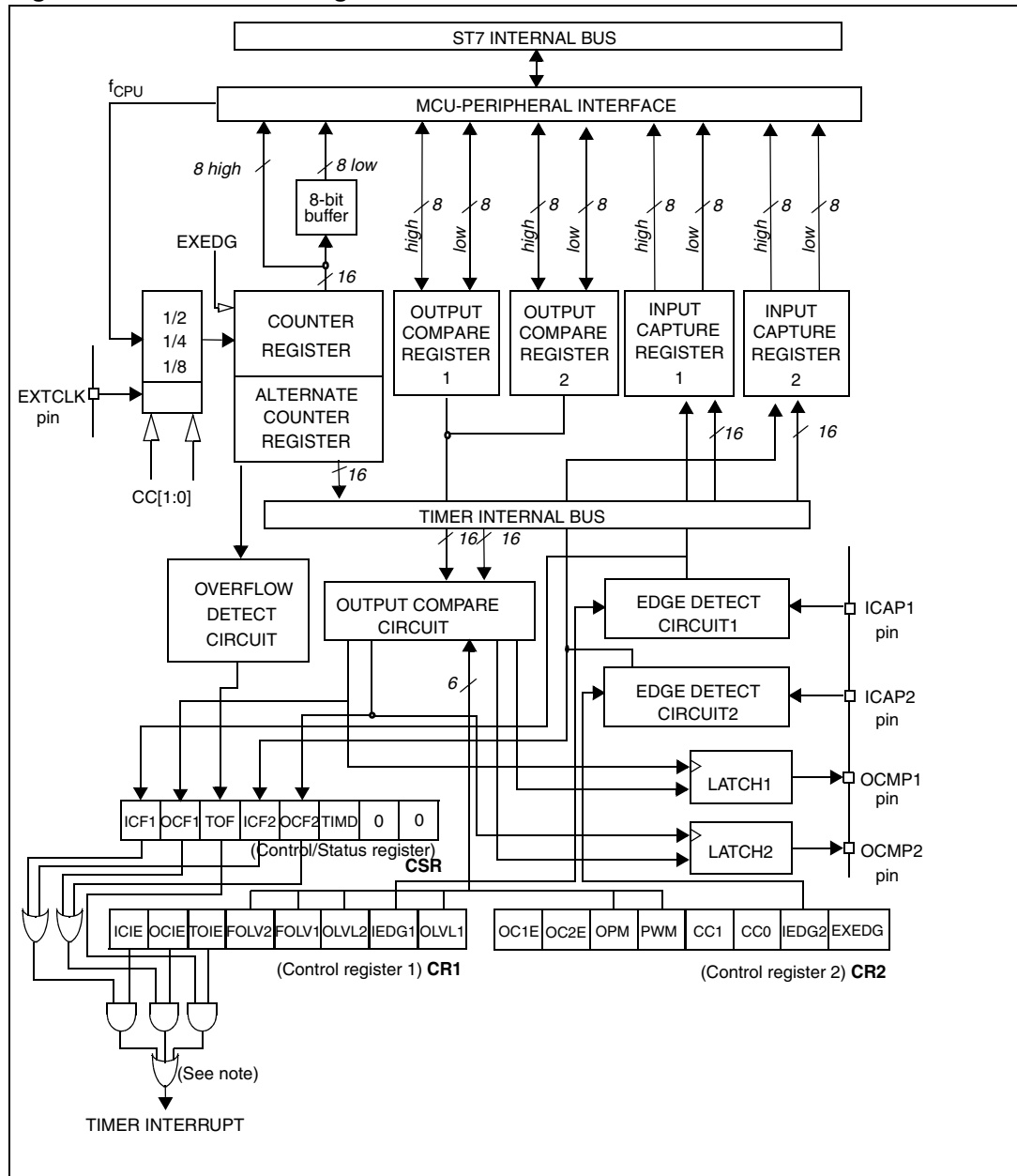
Writing in the CLR register or ACLR register resets the free running counter to the FFFCh value.

Both counters have a reset value of FFFCh (this is the only value which is reloaded in the 16-bit timer). The reset value of both counters is also FFFCh in One Pulse mode and PWM mode.

The timer clock depends on the clock control bits of the CR2 register, as illustrated in [Table 24](#). The value in the counter register repeats every 131072, 262144 or 524288 CPU clock cycles depending on the CC[1:0] bits.

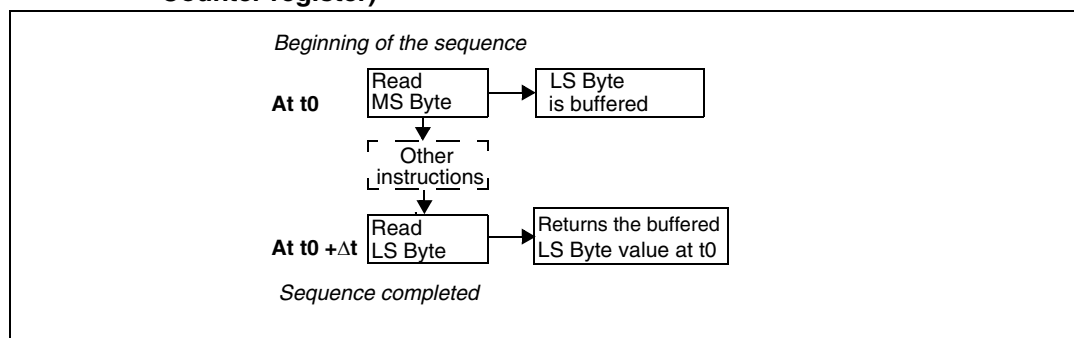
The timer frequency can be  $f_{CPU}/2$ ,  $f_{CPU}/4$ ,  $f_{CPU}/8$  or an external frequency.

Figure 27. Timer block diagram



1. If IC, OC and TO interrupt requests have separate vectors then the last OR is not present (See device Interrupt Vector Table).

**Figure 28. 16-bit read sequence (from either the Counter register or the Alternate Counter register)**



The user must read the MS Byte first, then the LS Byte value is buffered automatically.

This buffered value remains unchanged until the 16-bit read sequence is completed, even if the user reads the MS Byte several times.

After a complete reading sequence, if only the CLR register or ACLR register are read, they return the LS Byte of the count value at the time of the read.

Whatever the timer mode used (input capture, output compare, One Pulse mode or PWM mode) an overflow occurs when the counter rolls over from FFFFh to 0000h then:

- The TOF bit of the SR register is set.
- A timer interrupt is generated if:
  - TOIE bit of the CR1 register is set and
  - I bit of the CC register is cleared.

If one of these conditions is false, the interrupt remains pending to be issued as soon as they are both true.

Clearing the overflow interrupt request is done in two steps:

1. Reading the SR register while the TOF bit is set.
2. An access (read or write) to the CLR register.

*Note: The TOF bit is not cleared by accesses to ACLR register. The advantage of accessing the ACLR register rather than the CLR register is that it allows simultaneous use of the overflow function and reading the free running counter at random times (for example, to measure elapsed time) without the risk of clearing the TOF bit erroneously.*

The timer is not affected by Wait mode.

In Halt mode, the counter stops counting until the mode is exited. Counting then resumes from the previous count (MCU awakened by an interrupt) or from the reset count (MCU awakened by a Reset).

### External clock

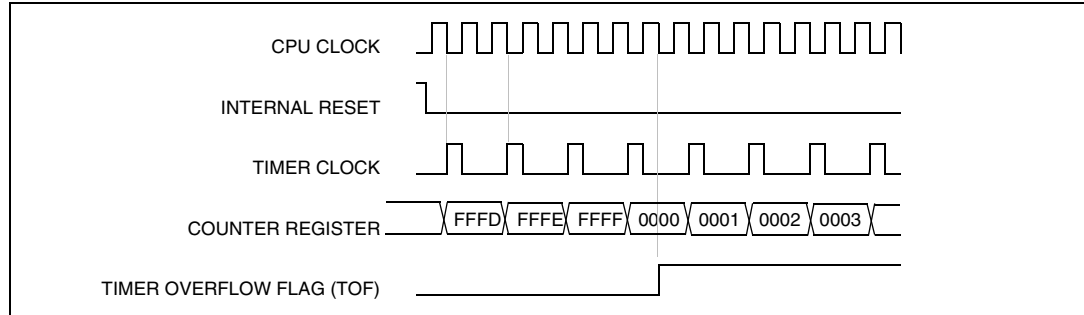
The external clock (where available) is selected if CC0 = 1 and CC1 = 1 in the CR2 register.

The status of the EXEDG bit in the CR2 register determines the type of level transition on the external clock pin EXTCLK that will trigger the free running counter.

The counter is synchronized with the falling edge of the internal CPU clock.

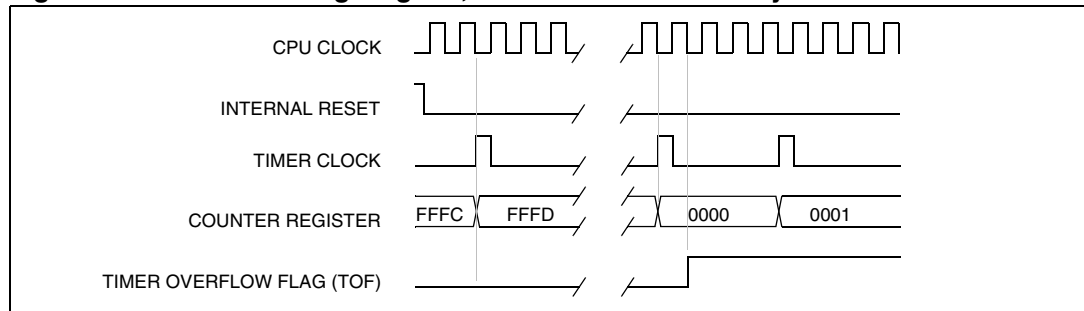
A minimum of four falling edges of the CPU clock must occur between two consecutive active edges of the external clock; thus the external clock frequency must be less than a quarter of the CPU clock frequency.

**Figure 29. Counter timing diagram, internal clock divided by 2**



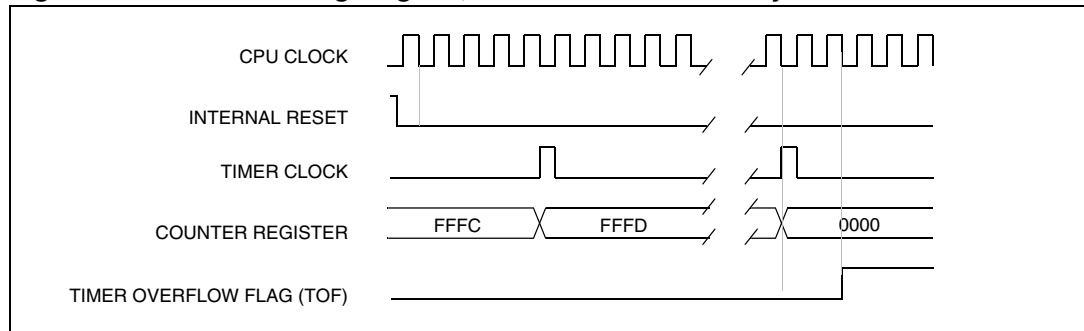
1. The MCU is in reset state when the internal reset signal is high, when it is low the MCU is running.

**Figure 30. Counter timing diagram, internal clock divided by 4**



1. The MCU is in reset state when the internal reset signal is high, when it is low the MCU is running.

**Figure 31. Counter timing diagram, internal clock divided by 8**



1. The MCU is in reset state when the internal reset signal is high, when it is low the MCU is running.

## Input Capture

In this section, the index,  $i$ , may be 1 or 2 because there are two input capture functions in the 16-bit timer.

The two 16-bit input capture registers (IC1R and IC2R) are used to latch the value of the free running counter after a transition is detected on the ICAP $i$  pin (see [Figure 32](#)).

**Table 19. IC/R register**

	MS Byte	LS Byte
ICiR	ICiHR	ICiLR

IC/R register is a read-only register.

The active transition is software programmable through the IEDG $i$  bit of Control registers (CR).

Timing resolution is one count of the free running counter: ( $f_{CPU}/CC[1:0]$ ).

### Procedure

To use the input capture function select the following in the CR2 register:

1. Select the timer clock (CC[1:0]) (see [Table 24](#)).
2. Select the edge of the active transition on the ICAP2 pin with the IEDG2 bit (the ICAP2 pin must be configured as floating input or input with pull-up without interrupt if this configuration is available).
3. Select the following in the CR1 register:
  - a) Set the ICIE bit to generate an interrupt after an input capture coming from either the ICAP1 pin or the ICAP2 pin
  - b) Select the edge of the active transition on the ICAP1 pin with the IEDG1 bit (the ICAP1 pin must be configured as floating input or input with pull-up without interrupt if this configuration is available).

When an input capture occurs:

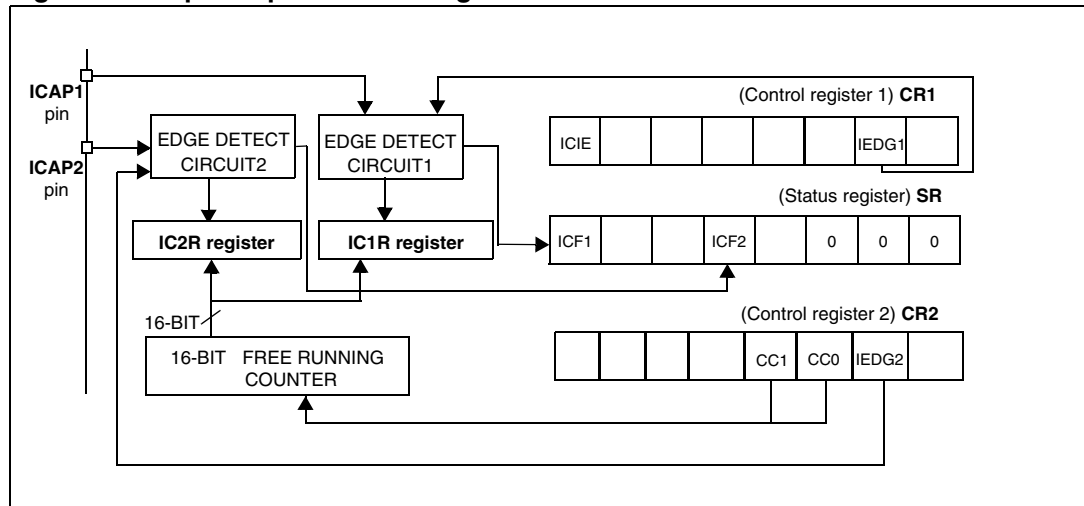
- ICF $i$  bit is set.
- The IC/R register contains the value of the free running counter on the active transition on the ICAP $i$  pin (see [Figure 33](#)).
- A timer interrupt is generated if the ICIE bit is set and the I bit is cleared in the CC register. Otherwise, the interrupt remains pending until both conditions become true.

Clearing the input Capture interrupt request (that is, clearing the ICF $i$  bit) is done in two steps:

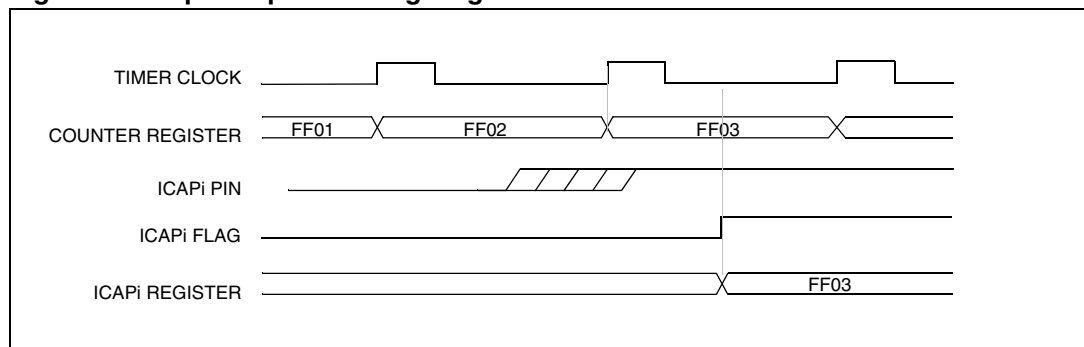
1. Reading the SR register while the ICF $i$  bit is set.
2. An access (read or write) to the ICiLR register.

- Note:
- 1 After reading the ICiHR register, transfer of input capture data is inhibited and ICFi will never be set until the ICiLR register is also read.
  - 2 The ICiR register contains the free running counter value which corresponds to the most recent input capture.
  - 3 The two input capture functions can be used together even if the timer also uses the two output compare functions.
  - 4 In One Pulse mode and PWM mode only input Capture 2 can be used.
  - 5 The alternate inputs (ICAP1 and ICAP2) are always directly connected to the timer. So any transitions on these pins activates the input capture function. Moreover if one of the ICAPi pins is configured as an input and the second one as an output, an interrupt can be generated if the user toggles the output pin and if the ICIE bit is set. This can be avoided if the input capture function i is disabled by reading the ICiHR (see note 1).
  - 6 The TOF bit can be used with interrupt generation in order to measure events that go beyond the timer range (FFFFh).

**Figure 32. Input Capture block diagram**



**Figure 33. Input Capture timing diagram**



1. The rising edge is the active edge.



## Output Compare

In this section, the index,  $i$ , may be 1 or 2 because there are two output compare functions in the 16-bit timer.

This function can be used to control an output waveform or indicate when a period of time has elapsed.

When a match is found between the output Compare register and the free running counter, the output compare function:

- Assigns pins with a programmable value if the OC/E bit is set
- Sets a flag in the status register
- Generates an interrupt if enabled

Two 16-bit registers output Compare register 1 (OC1R) and output Compare register 2 (OC2R) contain the value to be compared to the counter register each timer clock cycle.

**Table 20. OC/R register**

	MS Byte	LS Byte
OC <i>R</i>	OC <i>HR</i>	OC <i>LR</i>

These registers are readable and writable and are not affected by the timer hardware. A reset event changes the OC/R value to 8000h.

Timing resolution is one count of the free running counter:  $(f_{\text{CPU}}/CC[1:0])$ .

### Procedure

To use the output compare function, select the following in the CR2 register:

1. Set the OC/E bit if an output is needed then the OCMP*i* pin is dedicated to the output compare  $i$  signal.
2. Select the timer clock (CC[1:0]) (see [Table 24](#)).
3. Select the following in the CR1 register:
  - a) Select the OLVL*i* bit to applied to the OCMP*i* pins after the match occurs.
  - b) Set the OCIE bit to generate an interrupt if it is needed.

When a match is found between OC/R register and CR register:

- OCF*i* bit is set.
- The OCMP*i* pin takes OLVL*i* bit value (OCMP*i* pin latch is forced low during reset).
- A timer interrupt is generated if the OCIE bit is set in the CR1 register and the I bit is cleared in the CC register (CC).

The OC/R register value required for a specific timing application can be calculated using the following formula:

$$\Delta \text{OC}/R = \frac{\Delta t \cdot f_{\text{CPU}}}{\text{PRESC}}$$

Where:

$\Delta t$  = Output compare period (in seconds)

$f_{\text{CPU}}$  = CPU clock frequency (in hertz)

PRESC= Timer prescaler factor (2, 4 or 8 depending on CC[1:0] bits, see [Table 24](#))

If the timer clock is an external clock, the formula is:

$$\Delta \text{OCiR} = \Delta t \cdot f_{\text{EXT}}$$

Where:

$\Delta t$  = Output compare period (in seconds)

$f_{\text{EXT}}$  = External timer clock frequency (in hertz)

Clearing the output compare interrupt request (that is, clearing the OCF $i$  bit) is done by:

1. Reading the SR register while the OCF $i$  bit is set.
2. An access (read or write) to the OCiLR register.

The following procedure is recommended to prevent the OCF $i$  bit from being set between the time it is read and the write to the OCiR register:

- Write to the OCiHR register (further compares are inhibited).
- Read the SR register (first step of the clearance of the OCF $i$  bit, which may be already set).
- Write to the OCiLR register (enables the output compare function and clears the OCF $i$  bit).

- Note:*
- 1 After a processor write cycle to the OCiHR register, the output compare function is inhibited until the OCiLR register is also written.
  - 2 If the OCiE bit is not set, the OCMP $i$  pin is a general I/O port and the OLV $i$  bit will not appear when a match is found but an interrupt could be generated if the OCiE bit is set.
  - 3 In both internal and external clock modes, OCF $i$  and OCMP $i$  are set while the counter value equals the OCiR register value (see [Figure 35 on page 67](#) for an example with  $f_{\text{CPU}}/2$  and [Figure 36 on page 67](#) for an example with  $f_{\text{CPU}}/4$ ). This behavior is the same in OPM or PWM mode.
  - 4 The output compare functions can be used both for generating external events on the OCMP $i$  pins even if the input capture mode is also used.
  - 5 The value in the 16-bit OCiR register and the OLV $i$  bit should be changed after each successful comparison in order to control an output waveform or establish a new elapsed timeout.

Forced Compare output capability

When the FOLV $i$  bit is set by software, the OLV $i$  bit is copied to the OCMP $i$  pin. The OLV $i$  bit has to be toggled in order to toggle the OCMP $i$  pin when it is enabled (OCiE bit = 1). The OCF $i$  bit is then not set by hardware, and thus no interrupt request is generated.

The FOLV $i$  bits have no effect in both One Pulse mode and PWM mode.

Figure 34. Output Compare block diagram

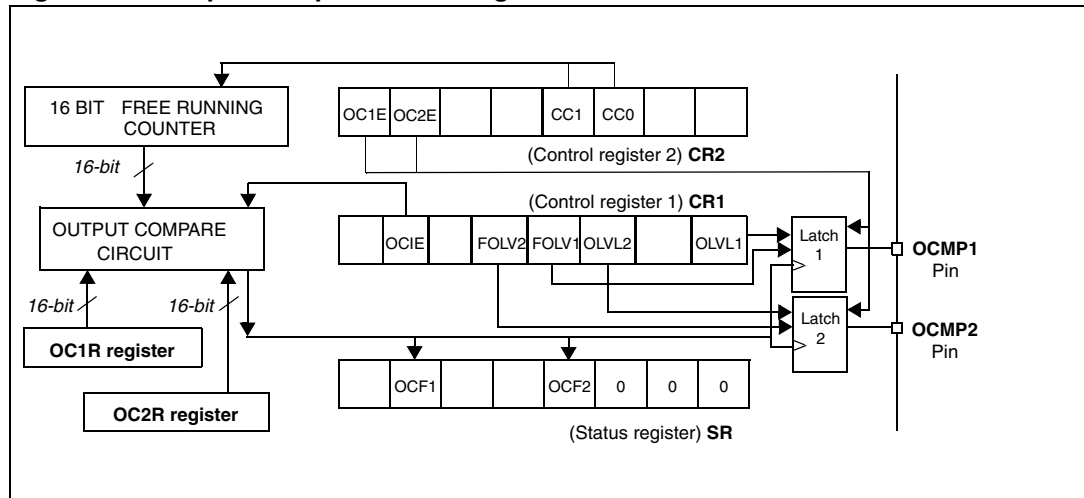


Figure 35. Output Compare timing diagram,  $f_{timer} = f_{cpu}/2$

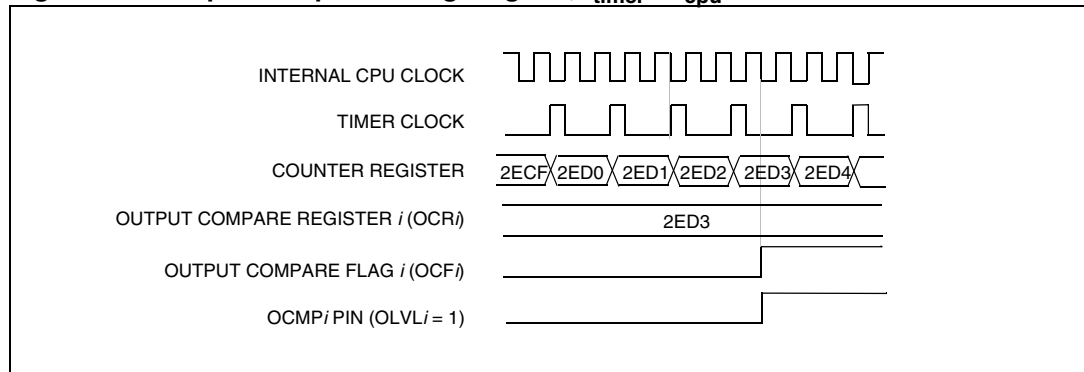
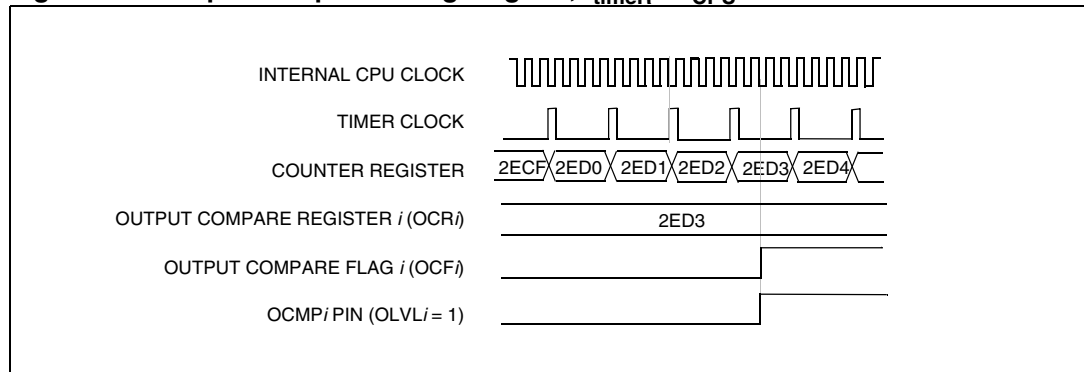


Figure 36. Output Compare timing diagram,  $f_{timer} = f_{cpu}/4$



### One Pulse mode

One Pulse mode enables the generation of a pulse when an external event occurs. This mode is selected via the OPM bit in the CR2 register.

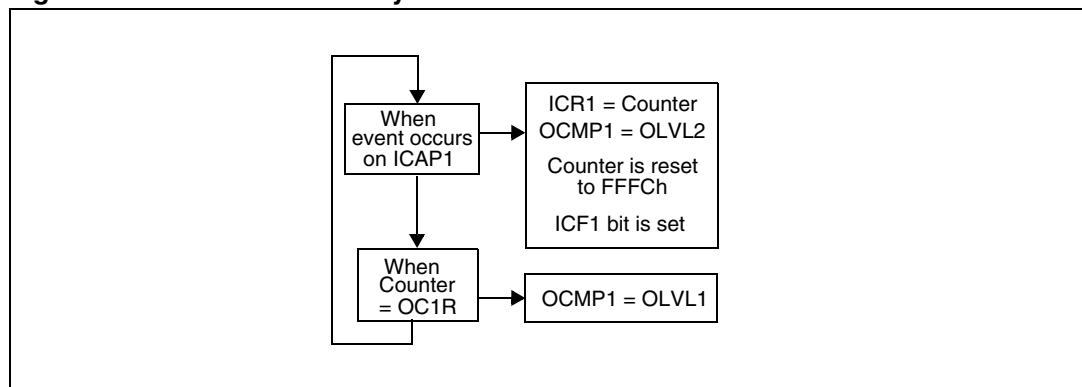
The One Pulse mode uses the input Capture1 function and the output Compare1 function.

#### Procedure

To use One Pulse mode:

1. Load the OC1R register with the value corresponding to the length of the pulse (see the formula in the opposite column).
2. Select the following in the CR1 register:
  - Using the OLVL1 bit, select the level to be applied to the OCMP1 pin after the pulse.
  - Using the OLVL2 bit, select the level to be applied to the OCMP1 pin during the pulse.
  - Select the edge of the active transition on the ICAP1 pin with the IEDG1 bit (the ICAP1 pin must be configured as floating input).
3. Select the following in the CR2 register:
  - Set the OC1E bit, the OCMP1 pin is then dedicated to the output Compare 1 function.
  - Set the OPM bit.
  - Select the timer clock CC[1:0] (see [Table 24](#)).

**Figure 37. One Pulse mode cycle**



Then, on a valid event on the ICAP1 pin, the counter is initialized to FFFCh and OLVL2 bit is loaded on the OCMP1 pin, the ICF1 bit is set and the value FFFDh is loaded in the IC1R register.

Because the ICF1 bit is set when an active edge occurs, an interrupt can be generated if the ICIE bit is set.

Clearing the input Capture interrupt request (that is, clearing the ICF $i$  bit) is done in two steps:

1. Reading the SR register while the ICF $i$  bit is set.
2. An access (read or write) to the IC $i$ LR register.

The OC1R register value required for a specific timing application can be calculated using the following formula:

$$OC1R \text{ Value} = \frac{t \cdot f_{CPU}}{PRESC} - 5$$

Where:

t = Pulse period (in seconds)

f<sub>CPU</sub> = CPU clock frequency (in hertz)

PRESC= Timer prescaler factor (2, 4 or 8 depending on the CC[1:0] bits, see [Table 24](#))

If the timer clock is an external clock the formula is:

$$OC1R = t \cdot f_{EXT} - 5$$

Where:

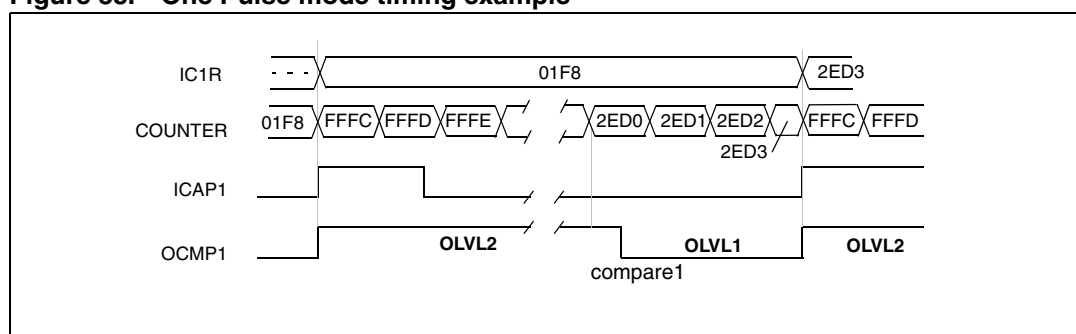
t = Pulse period (in seconds)

f<sub>EXT</sub> = External timer clock frequency (in hertz)

When the value of the counter is equal to the value of the contents of the OC1R register, the OLVL1 bit is output on the OCMP1 pin, (See [Figure 38](#)).

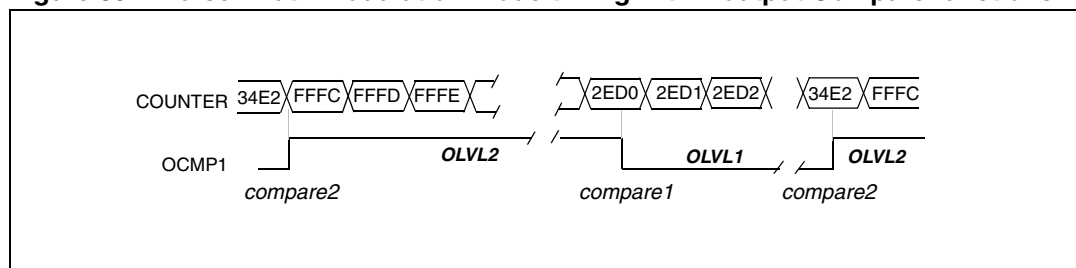
- Note:
- 1 The OCF1 bit cannot be set by hardware in One Pulse mode but the OCF2 bit can generate an output Compare interrupt.
  - 2 When the Pulse Width Modulation (PWM) and One Pulse mode (OPM) bits are both set, the PWM mode is the only active one.
  - 3 If OLVL1 = OLVL2 a continuous signal will be seen on the OCMP1 pin.
  - 4 The ICAP1 pin can not be used to perform input capture. The ICAP2 pin can be used to perform input capture (ICF2 can be set and IC2R can be loaded) but the user must take care that the counter is reset each time a valid edge occurs on the ICAP1 pin and ICF1 can also generates interrupt if ICIE is set.
  - 5 When One Pulse mode is used OC1R is dedicated to this mode. Nevertheless OC2R and OCF2 can be used to indicate a period of time has been elapsed but cannot generate an output waveform because the level OLVL2 is dedicated to the One Pulse mode.

**Figure 38. One Pulse mode timing example**



1. IEDG1 = 1, OC1R = 2ED0h, OLVL1 = 0, OLVL2 = 1

**Figure 39. Pulse Width modulation mode timing with 2 output Compare functions**



1. OC1R = 2ED0h, OC2R = 34E2, OLVL1 = 0, OLVL2 = 1

On timers with only one output Compare register, a fixed frequency PWM signal can be generated using the output compare and the counter overflow to define the pulse length.

### Pulse width modulation mode

Pulse width modulation (PWM) mode enables the generation of a signal with a frequency and pulse length determined by the value of the OC1R and OC2R registers.

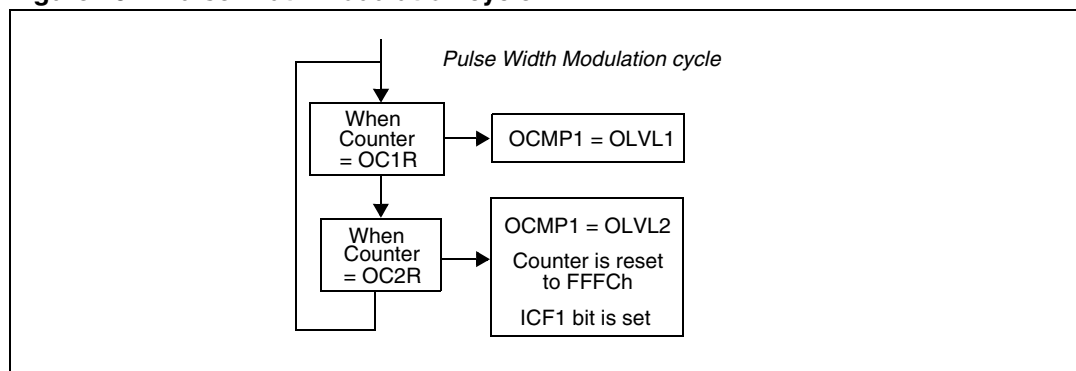
Pulse Width Modulation mode uses the complete output Compare 1 function plus the OC2R register, and so this functionality can not be used when PWM mode is activated.

In PWM mode, double buffering is implemented on the output compare registers. Any new values written in the OC1R and OC2R registers are taken into account only at the end of the PWM period (OC2) to avoid spikes on the PWM output pin (OCMP1).

#### Procedure

To use Pulse Width Modulation mode:

1. Load the OC2R register with the value corresponding to the period of the signal using the formula in the opposite column.
2. Load the OC1R register with the value corresponding to the period of the pulse if (OLVL1 = 0 and OLVL2 = 1) using the formula in the opposite column.
3. Select the following in the CR1 register:
  - Using the OLVL1 bit, select the level to be applied to the OCMP1 pin after a successful comparison with the OC1R register.
  - Using the OLVL2 bit, select the level to be applied to the OCMP1 pin after a successful comparison with the OC2R register.
4. Select the following in the CR2 register:
  - Set OC1E bit: the OCMP1 pin is then dedicated to the output compare 1 function.
  - Set the PWM bit.
  - Select the timer clock (CC[1:0]) (see [Table 24](#)).

**Figure 40. Pulse width modulation cycle**

If  $OLVL1 = 1$  and  $OLVL2 = 0$  the length of the positive pulse is the difference between the  $OC2R$  and  $OC1R$  registers.

If  $OLVL1 = OLVL2$  a continuous signal will be seen on the  $OCMP1$  pin.

The  $OC/R$  register value required for a specific timing application can be calculated using the following formula:

$$OC/R \text{ Value} = \frac{t \cdot f_{CPU}}{PRESC} - 5$$

Where:

$t$  = Signal or pulse period (in seconds)

$f_{CPU}$  = CPU clock frequency (in hertz)

$PRESC$  = Timer prescaler factor (2, 4 or 8 depending on  $CC[1:0]$  bits, see [Table 24](#))

If the timer clock is an external clock the formula is:

$$OC/R = t \cdot f_{EXT} - 5$$

Where:

$t$  = Signal or pulse period (in seconds)

$f_{EXT}$  = External timer clock frequency (in hertz)

The output Compare 2 event causes the counter to be initialized to  $FFFCh$  (See [Figure 39](#))

- Note:**
- 1 After a write instruction to the  $OCiHR$  register, the output compare function is inhibited until the  $OCiLR$  register is also written.
  - 2 The  $OCF1$  and  $OCF2$  bits cannot be set by hardware in PWM mode therefore the output Compare interrupt is inhibited.
  - 3 The  $ICF1$  bit is set by hardware when the counter reaches the  $OC2R$  value and can produce a timer interrupt if the  $ICIE$  bit is set and the  $I$  bit is cleared.
  - 4 In PWM mode the  $ICAP1$  pin can not be used to perform input capture because it is disconnected to the timer. The  $ICAP2$  pin can be used to perform input capture ( $ICF2$  can be set and  $IC2R$  can be loaded) but the user must take care that the counter is reset each period and  $ICF1$  can also generate interrupt if  $ICIE$  is set.
  - 5 When the Pulse Width Modulation (PWM) and One Pulse mode (OPM) bits are both set, the PWM mode is the only active one.

### 11.2.4 Low power modes

**Table 21. Low power modes**

Mode	Description
WAIT	No effect on 16-bit Timer. Timer interrupts cause the device to exit from Wait mode.
HALT	16-bit Timer registers are frozen. In Halt mode, the counter stops counting until Halt mode is exited. Counting resumes from the previous count when the MCU is woken up by an interrupt with “exit from Halt mode” capability or from the counter reset value when the MCU is woken up by a RESET. If an input capture event occurs on the ICAP <i>i</i> pin, the input capture detection circuitry is armed. Consequently, when the MCU is woken up by an interrupt with “exit from Halt mode” capability, the ICF <i>i</i> bit is set, and the counter value present when exiting from Halt mode is captured into the IC/R register.

### 11.2.5 Interrupts

The 16-bit Timer interrupt events are connected to the same interrupt vector (see Interrupts chapter). These events generate an interrupt if the corresponding Enable Control Bit is set and the interrupt mask in the CC register is reset (RIM instruction).

**Table 22. Interrupts**

Interrupt Event	Event flag	Enable Control bit	Exit from Wait	Exit from Halt
Input Capture 1 event/Counter reset in PWM mode	ICF1	ICIE	Yes	No
Input Capture 2 event	ICF2			
Output Compare 1 event (not available in PWM mode)	OCF1	OCIE		
Output Compare 2 event (not available in PWM mode)	OCF2			
Timer Overflow event	TOF	TOIE		

### 11.2.6 Summary of timer modes

**Table 23. Summary of timer modes**

Modes	Timer Resources			
	Input Capture 1	Input Capture 2	Output Compare 1	Output Compare 2
Input Capture (1 and/or 2)	Yes	Yes	Yes	Yes
Output Compare (1 and/or 2)				
One Pulse mode	No	Not recommended <sup>(1)</sup>	No	Partially <sup>(2)</sup>
PWM mode		Not recommended <sup>(3)</sup>		No

1. See note 4 in [Section : One Pulse mode](#).
2. See note 5 in [Section : One Pulse mode](#).
3. See note 4 in [Section : Pulse width modulation mode](#).



## 11.2.7 Register description

Each Timer is associated with three control and status registers, and with six pairs of data registers (16-bit values) relating to the two input captures, the two output compares, the counter and the alternate counter.

### Control register 1 (CR1)

Reset value: 0000 0000 (00h)

7	0						
ICIE	OCIE	TOIE	FOLV2	FOLV1	OLVL2	IEDG1	OLVL1
Read/write							

- 7 **ICIE** input *Capture Interrupt Enable*.  
0: Interrupt is inhibited.  
1: A timer interrupt is generated whenever the ICF1 or ICF2 bit of the SR register is set.
- 6 **OCIE** output *Compare Interrupt Enable*.  
0: Interrupt is inhibited.  
1: A timer interrupt is generated whenever the OCF1 or OCF2 bit of the SR register is set.
- 5 **TOIE** *Timer Overflow Interrupt Enable*.  
0: Interrupt is inhibited.  
1: A timer interrupt is enabled whenever the TOF bit of the SR register is set.
- 4 **FOLV2** *Forced output Compare 2*.  
This bit is set and cleared by software.  
0: No effect on the OCMP2 pin.  
1: Forces the OLVL2 bit to be copied to the OCMP2 pin, if the OC2E bit is set and even if there is no successful comparison.
- 3 **FOLV1** *Forced output Compare 1*.  
This bit is set and cleared by software.  
0: No effect on the OCMP1 pin.  
1: Forces OLVL1 to be copied to the OCMP1 pin, if the OC1E bit is set and even if there is no successful comparison.
- 2 **OLVL2** *output Level 2*.  
This bit is copied to the OCMP2 pin whenever a successful comparison occurs with the OC2R register and OCxE is set in the CR2 register. This value is copied to the OCMP1 pin in One Pulse mode and Pulse Width Modulation mode.
- 1 **IEDG1** *input Edge 1*.  
This bit determines which type of level transition on the ICAP1 pin will trigger the capture.  
0: A falling edge triggers the capture.  
1: A rising edge triggers the capture.
- 0 **OLVL1** *output Level 1*.  
The OLVL1 bit is copied to the OCMP1 pin whenever a successful comparison occurs with the OC1R register and the OC1E bit is set in the CR2 register.

**Control register 2 (CR2)**

Reset value: 0000 0000 (00h)

7	0						
OC1E	OC2E	OPM	PWM	CC1	CC0	IEDG2	EXEDG
Read/write							

- 7 **OC1E** output *Compare 1 Pin Enable*.  
 This bit is used only to output the signal from the timer on the OCMP1 pin (OLV1 in output Compare mode, both OLV1 and OLV2 in PWM and one-pulse mode). Whatever the value of the OC1E bit, the output Compare 1 function of the timer remains active.  
 0: OCMP1 pin alternate function disabled (I/O pin free for general-purpose I/O).  
 1: OCMP1 pin alternate function enabled.
- 6 **OC2E** output *Compare 2 Pin Enable*.  
 This bit is used only to output the signal from the timer on the OCMP2 pin (OLV2 in output Compare mode). Whatever the value of the OC2E bit, the output Compare 2 function of the timer remains active.  
 0: OCMP2 pin alternate function disabled (I/O pin free for general-purpose I/O).  
 1: OCMP2 pin alternate function enabled.
- 5 **OPM** *One Pulse mode*.  
 0: One Pulse mode is not active.  
 1: One Pulse mode is active, the ICAP1 pin can be used to trigger one pulse on the OCMP1 pin; the active transition is given by the IEDG1 bit. The length of the generated pulse depends on the contents of the OC1R register.
- 4 **PWM** *Pulse Width Modulation*.  
 0: PWM mode is not active.  
 1: PWM mode is active, the OCMP1 pin outputs a programmable cyclic signal; the length of the pulse depends on the value of OC1R register; the period depends on the value of OC2R register.
- [3:2] **CC[1:0]** *Clock Control*.  
 The timer clock mode depends on these bits (see [Table 24](#)).  
 If the external clock pin is not available, programming the external clock configuration stops the counter.
- 1 **IEDG2** *input Edge 2*.  
 This bit determines which type of level transition on the ICAP2 pin will trigger the capture.  
 0: A falling edge triggers the capture.  
 1: A rising edge triggers the capture.
- 0 **EXEDG** *External Clock Edge*.  
 This bit determines which type of level transition on the external clock pin EXTCLK will trigger the counter register.  
 0: A falling edge triggers the counter register.  
 1: A rising edge triggers the counter register.

**Table 24. Clock Control bits**

Timer clock	CC1	CC0
$f_{CPU} / 4$	0	0
$f_{CPU} / 2$		1
$f_{CPU} / 8$	1	0
External Clock (where available)		1

**Control/status register (CSR)**

Reset value: xxxx x0xx (xxh)

7	6	5	4	3		0
ICF1	OCF1	TOF	ICF2	OCF2	TIMD	0
Read only					Read/write	

**7 ICF1 input Capture Flag 1.**

0: No input capture (reset value).

1: An input capture has occurred on the ICAP1 pin or the counter has reached the OC2R value in PWM mode. To clear this bit, first read the SR register, then read or write the low byte of the IC1R (IC1LR) register.

**6 OCF1 output Compare Flag 1.**

0: No match (reset value).

1: The content of the free running counter has matched the content of the OC1R register. To clear this bit, first read the SR register, then read or write the low byte of the OC1R (OC1LR) register.

**5 TOF Timer Overflow Flag.**

0: No timer overflow (reset value).

1: The free running counter rolled over from FFFFh to 0000h. To clear this bit, first read the SR register, then read or write the low byte of the CR (CLR) register.

*Note: Reading or writing the ACLR register does not clear TOF.*

**4 ICF2 input Capture Flag 2.**

0: No input capture (reset value).

1: An input capture has occurred on the ICAP2 pin. To clear this bit, first read the SR register, then read or write the low byte of the IC2R (IC2LR) register.

3 **OCF2** output *Compare Flag 2*.

0: No match (reset value).

1: The content of the free running counter has matched the content of the OC2R register. To clear this bit, first read the SR register, then read or write the low byte of the OC2R (OC2LR) register.

2 **TIMD** *Timer disable*.

This bit is set and cleared by software. When set, it freezes the timer prescaler and counter and disabled the output functions (OCMP1 and OCMP2 pins) to reduce power consumption. Access to the timer registers is still available, allowing the timer configuration to be changed, or the counter reset, while it is disabled.

0: Timer enabled

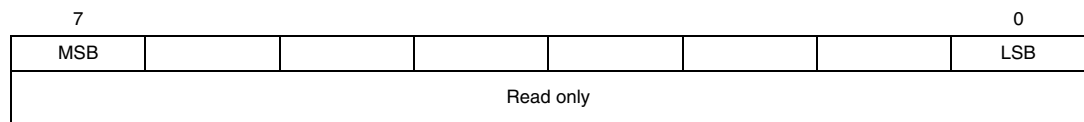
1: Timer prescaler, counter and outputs disabled

[1:0] Reserved, must be kept cleared.

**Input Capture 1 High register (IC1HR)**

Reset value: Undefined

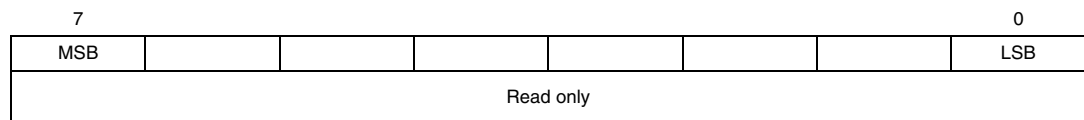
This is an 8-bit read only register that contains the high part of the counter value (transferred by the input capture 1 event).



**Input Capture 1 Low register (IC1LR)**

Reset value: Undefined

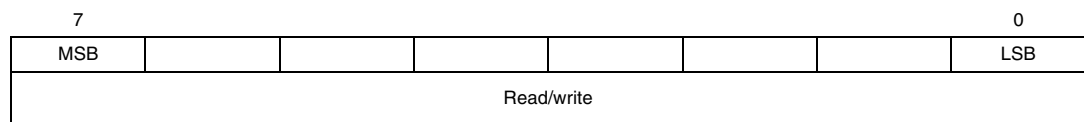
This is an 8-bit read only register that contains the low part of the counter value (transferred by the input capture 1 event).



**Output Compare 1 High register (OC1HR)**

Reset value: 1000 0000 (80h)

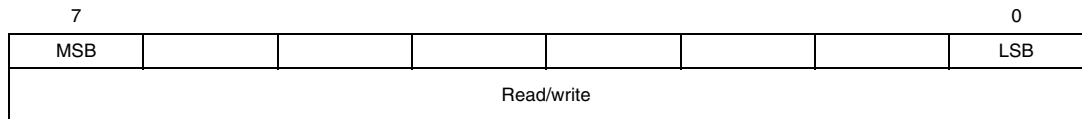
This is an 8-bit register that contains the high part of the value to be compared to the CHR register.



**Output Compare 1 Low register (OC1LR)**

Reset value: 0000 0000 (00h)

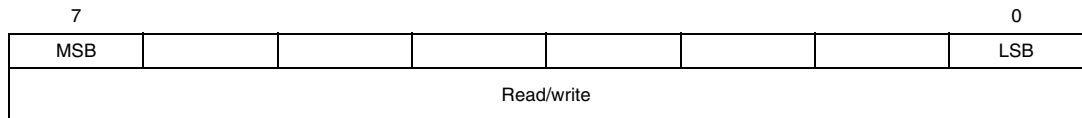
This is an 8-bit register that contains the low part of the value to be compared to the CLR register.



**Output Compare 2 High register (OC2HR)**

Reset value: 1000 0000 (80h)

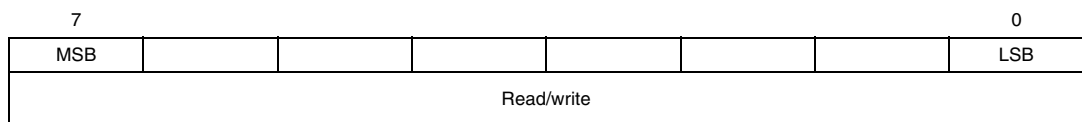
This is an 8-bit register that contains the high part of the value to be compared to the CHR register.



**Output Compare 2 Low register (OC2LR)**

Reset value: 0000 0000 (00h)

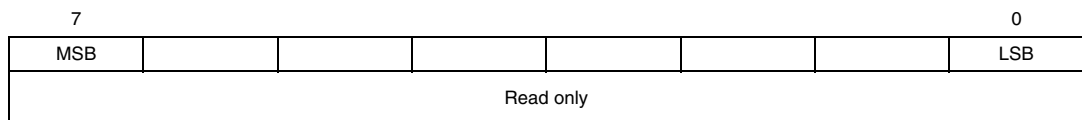
This is an 8-bit register that contains the low part of the value to be compared to the CLR register.



**Counter High register (CHR)**

Reset value: 1111 1111 (FFh)

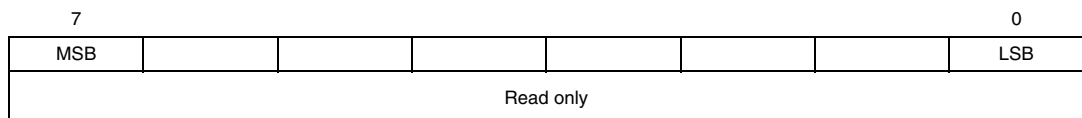
This is an 8-bit register that contains the high part of the counter value.



**Counter Low register (CLR)**

Reset value: 1111 1100 (FCh)

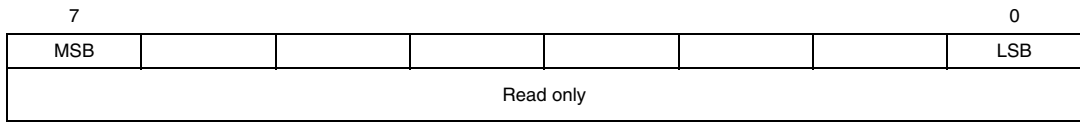
This is an 8-bit register that contains the low part of the counter value. A write to this register resets the counter. An access to this register after accessing the CSR register clears the TOF bit.



**Alternate Counter High register (ACHR)**

Reset value: 1111 1111 (FFh)

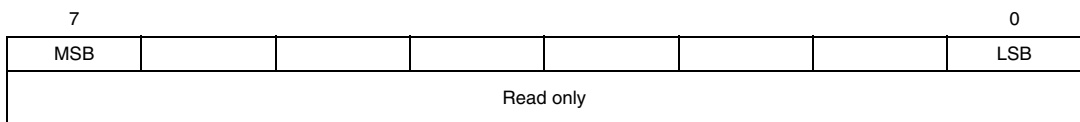
This is an 8-bit register that contains the high part of the counter value.



**Alternate Counter Low register (ACLR)**

Reset value: 1111 1100 (FCh)

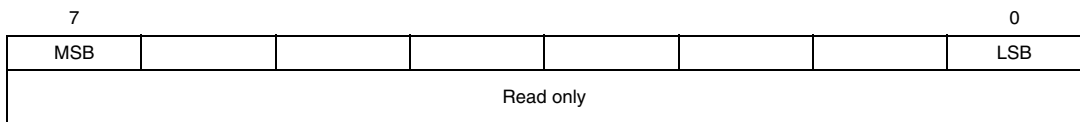
This is an 8-bit register that contains the low part of the counter value. A write to this register resets the counter. An access to this register after an access to CSR register does not clear the TOF bit in the CSR register.



**Input Capture 2 High register (IC2HR)**

Reset value: Undefined

This is an 8-bit read only register that contains the high part of the counter value (transferred by the input Capture 2 event).



**Input Capture 2 Low register (IC2LR)**

Reset value: Undefined

This is an 8-bit read only register that contains the low part of the counter value (transferred by the input Capture 2 event).

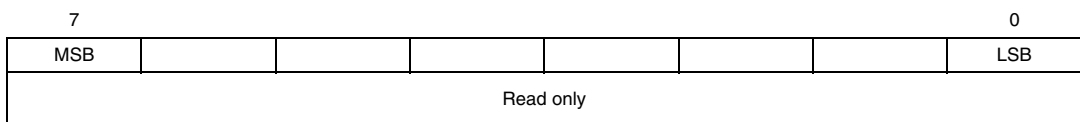


Table 25. 16-bit timer register map and reset values

Address (Hex.)	Register label	7	6	5	4	3	2	1	0
11	CR2 Reset value	OC1E 0	OC2E 0	OPM 0	PWM 0	CC1 0	CC0 0	IEDG2 0	EXEDG 0
12	CR1 Reset value	ICIE 0	OCIE 0	TOIE 0	FOLV2 0	FOLV1 0	OLVL2 0	IEDG1 0	OLVL1 0
13	CSR Reset value	ICF1 0	OCF1 0	TOF 0	ICF2 0	OCF2 0	TIMD 0	0 0	0 0
14	IC1HR Reset value	MSB							LSB
15	IC1LR Reset value	MSB							LSB
16	OC1HR Reset value	MSB 1	- 0	- 0	- 0	- 0	- 0	- 0	LSB 0
17	OC1LR Reset value	MSB 0	- 0	- 0	- 0	- 0	- 0	- 0	LSB 0
18	CHR Reset value	MSB 1	- 1	- 1	- 1	- 1	- 1	- 1	LSB 1
19	CLR Reset value	MSB 1	- 1	- 1	- 1	- 1	- 1	- 0	LSB 0
1A	ACHR Reset value	MSB 1	- 1	- 1	- 1	- 1	- 1	- 1	LSB 1
1B	ACLRL Reset value	MSB 1	- 1	- 1	- 1	- 1	- 1	- 0	LSB 0
1C	IC2HR Reset value	MSB							LSB
1D	IC2LR Reset value	MSB							LSB
1E	OC2HR Reset value	MSB 1	- 0	- 0	- 0	- 0	- 0	- 0	LSB 0
1F	OC2LR Reset value	MSB 0	- 0	- 0	- 0	- 0	- 0	- 0	LSB 0

## 11.3 Serial communications interface (SCI)

### 11.3.1 Introduction

The Serial Communications Interface (SCI) offers a flexible means of full-duplex data exchange with external equipment requiring an industry standard NRZ asynchronous serial data format. The SCI offers a very wide range of baud rates using two baud rate generator systems.

### 11.3.2 Main features

- Full duplex, asynchronous communications
- NRZ standard format (Mark/Space)
- Independently programmable transmit and receive baud rates up to 250K baud.
- Programmable data word length (8 or 9 bits)
- Receive buffer full, Transmit buffer empty and End of Transmission flags
- Two receiver Wakeup modes:
  - Address bit (MSB)
  - Idle line
- Muting function for multiprocessor configurations
- Separate enable bits for Transmitter and Receiver
- Four error detection flags:
  - Overrun error
  - Noise error
  - Frame error
  - Parity error
- Six interrupt sources with flags:
  - Transmit data register empty
  - Transmission complete
  - Receive data register full
  - Idle line received
  - Overrun error detected
  - Parity error
- Parity control:
  - Transmits parity bit
  - Checks parity of received data byte
- Reduced power consumption mode

### 11.3.3 General description

The interface is externally connected to another device by two pins (see [Figure 42](#)):

- TDO: Transmit Data output. When the transmitter and the receiver are disabled, the output pin returns to its I/O port configuration. When the transmitter and/or the receiver are enabled and nothing is to be transmitted, the TDO pin is at high level.
- RDI: Receive Data input is the serial data input. Oversampling techniques are used for data recovery by discriminating between valid incoming data and noise.



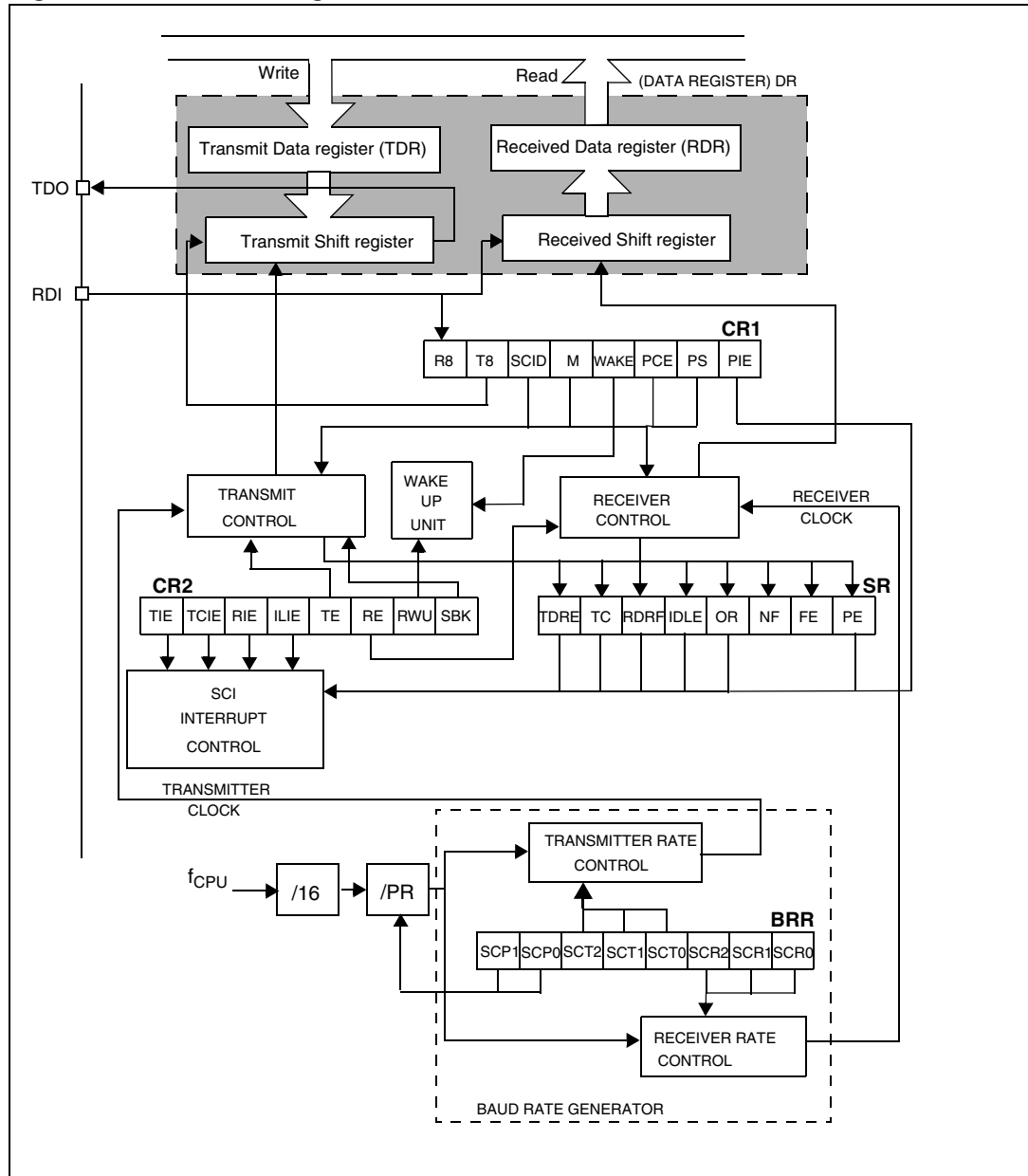
Through these pins, serial data is transmitted and received as frames comprising:

- An Idle Line prior to transmission or reception
- A start bit
- A data word (8 or 9 bits) least significant bit first
- A Stop bit indicating that the frame is complete.

This interface uses two types of baud rate generator:

- A conventional type for commonly-used baud rates.

**Figure 41. SCI block diagram**



### 11.3.4 Functional description

The block diagram of the Serial Control Interface, is shown in [Figure 41](#) It contains 6 dedicated registers:

- Two control registers (SCICR1 & SCICR2)
- A status register (SCISR)
- A baud rate register (SCIBRR)

Refer to the register descriptions in [Section 11.3.7](#) for the definitions of each bit.

#### Serial data format

Word length may be selected as being either 8 or 9 bits by programming the M bit in the SCICR1 register (see [Figure 41](#)).

The TDO pin is in low state during the start bit.

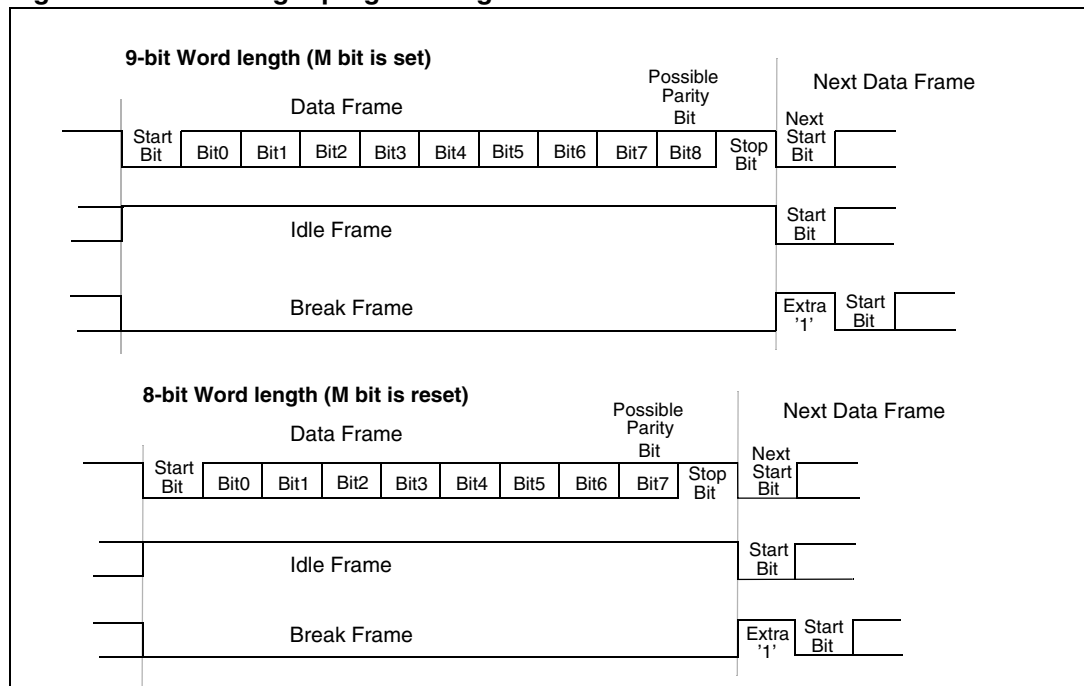
The TDO pin is in high state during the stop bit.

An Idle character is interpreted as an entire frame of “1”s followed by the start bit of the next frame which contains data.

A Break character is interpreted on receiving “0”s for some multiple of the frame period. At the end of the last break frame the transmitter inserts an extra “1” bit to acknowledge the start bit.

Transmission and reception are driven by their own baud rate generator.

**Figure 42. Word length programming**



## Transmitter

The transmitter can send data words of either 8 or 9 bits depending on the M bit status. When the M bit is set, word length is 9 bits and the 9th bit (the MSB) has to be stored in the T8 bit in the SCICR1 register.

### Character Transmission

During an SCI transmission, data shifts out least significant bit first on the TDO pin. In this mode, the SCIDR register consists of a buffer (TDR) between the internal bus and the transmit shift register (see [Figure 41](#)).

### Procedure

1. Select the M bit to define the word length.
2. Select the desired baud rate using the SCIBRR and the SCIETPR registers.
3. Set the TE bit to assign the TDO pin to the alternate function and to send a idle frame as first transmission.
4. Access the SCISR register and write the data to send in the SCIDR register (this sequence clears the TDRE bit). Repeat this sequence for each data to be transmitted.

Clearing the TDRE bit is always performed by the following software sequence:

1. An access to the SCISR register
2. A write to the SCIDR register

The TDRE bit is set by hardware and it indicates:

- The TDR register is empty.
- The data transfer is beginning.
- The next data can be written in the SCIDR register without overwriting the previous data.

This flag generates an interrupt if the TIE bit is set and the I bit is cleared in the CC register.

When a transmission is taking place, a write instruction to the SCIDR register stores the data in the TDR register and which is copied in the shift register at the end of the current transmission.

When no transmission is taking place, a write instruction to the SCIDR register places the data directly in the shift register, the data transmission starts, and the TDRE bit is immediately set.

When a frame transmission is complete (after the stop bit or after the break frame) the TC bit is set and an interrupt is generated if the TCIE is set and the I bit is cleared in the CC register.

Clearing the TC bit is performed by the following software sequence:

1. An access to the SCISR register
2. A write to the SCIDR register

*Note:* The TDRE and TC bits are cleared by the same software sequence.

### Break characters

Setting the SBK bit loads the shift register with a break character. The break frame length depends on the M bit (see [Figure 42](#)).

As long as the SBK bit is set, the SCI send break frames to the TDO pin. After clearing this bit by software the SCI insert a logic 1 bit at the end of the last break frame to guarantee the recognition of the start bit of the next frame.

Idle characters

Setting the TE bit drives the SCI to send an idle frame before the first data frame.

Clearing and then setting the TE bit during a transmission sends an idle frame after the current word.

*Note: Resetting and setting the TE bit causes the data in the TDR register to be lost. Therefore the best time to toggle the TE bit is when the TDRE bit is set i.e. before writing the next byte in the SCIDR.*

## Receiver

The SCI can receive data words of either 8 or 9 bits. When the M bit is set, word length is 9 bits and the MSB is stored in the R8 bit in the SCICR1 register.

Character reception

During a SCI reception, data shifts in least significant bit first through the RDI pin. In this mode, the SCIDR register consists of a buffer (RDR) between the internal bus and the received shift register (see [Figure 41](#)).

Procedure

1. Select the M bit to define the word length.
2. Select the desired baud rate using the SCIBRR and the SCIERPR registers.
3. Set the RE bit, this enables the receiver which begins searching for a start bit.

When a character is received:

- The RDRF bit is set. It indicates that the content of the shift register is transferred to the RDR.
- An interrupt is generated if the RIE bit is set and the I bit is cleared in the CC register.
- The error flags can be set if a frame error, noise or an overrun error has been detected during reception.

Clearing the RDRF bit is performed by the following software sequence done by:

1. An access to the SCISR register
2. A read to the SCIDR register.

The RDRF bit must be cleared before the end of the reception of the next character to avoid an overrun error.

Break character

When a break character is received, the SCI handles it as a framing error.

Idle character

When an idle frame is detected, there is the same procedure as a data received character plus an interrupt if the ILIE bit is set and the I bit is cleared in the CC register.

Overrun error

An overrun error occurs when a character is received when RDRF has not been reset. Data can not be transferred from the shift register to the RDR register as long as the RDRF bit is not cleared.

When an overrun error occurs:

- The OR bit is set.
- The RDR content will not be lost.
- The shift register will be overwritten.
- An interrupt is generated if the RIE bit is set and the I bit is cleared in the CC register.

The OR bit is reset by an access to the SCISR register followed by a SCIDR register read operation.

Noise error

Oversampling techniques are used for data recovery by discriminating between valid incoming data and noise. Normal data bits are considered valid if three consecutive samples (8th, 9th, 10th) have the same bit value, otherwise the NF flag is set. In the case of start bit detection, the NF flag is set on the basis of an algorithm combining both valid edge detection and three samples (8th, 9th, 10th). Therefore, to prevent the NF flag getting set during start bit reception, there should be a valid edge detection as well as three valid samples.

When noise is detected in a frame:

- The NF flag is set at the rising edge of the RDRF bit.
- Data is transferred from the Shift register to the SCIDR register.
- No interrupt is generated. However this bit rises at the same time as the RDRF bit which itself generates an interrupt.

The NF flag is reset by a SCISR register read operation followed by a SCIDR register read operation.

During reception, if a false start bit is detected (e.g. 8th, 9th, 10th samples are 011,101,110), the frame is discarded and the receiving sequence is not started for this frame. There is no RDRF bit set for this frame and the NF flag is set internally (not accessible to the user). This NF flag is accessible along with the RDRF bit when a next valid frame is received.

*Note: If the application Start Bit is not long enough to match the above requirements, then the NF Flag may get set due to the short Start Bit. In this case, the NF flag may be ignored by the application software when the first valid byte is received.*

See also [Section](#) .

Framing error

A framing error is detected when:

- The stop bit is not recognized on reception at the expected time, following either a de-synchronization or excessive noise.
- A break is received.

When the framing error is detected:

- the FE bit is set by hardware
- Data is transferred from the Shift register to the SCIDR register.
- No interrupt is generated. However this bit rises at the same time as the RDRF bit which itself generates an interrupt.

The FE bit is reset by a SCISR register read operation followed by a SCIDR register read operation.

### Baud rate generation

The baud rate for the receiver and transmitter (Rx and Tx) are set independently and calculated as follows:

$$T_x = \frac{f_{CPU}}{(16 \cdot PR) \cdot TR} \quad R_x = \frac{f_{CPU}}{(16 \cdot PR) \cdot RR}$$

with:

PR = 1, 3, 4 or 13 (see SCP[1:0] bits)

TR = 1, 2, 4, 8, 16, 32, 64, 128

(see SCT[2:0] bits)

RR = 1, 2, 4, 8, 16, 32, 64, 128

(see SCR[2:0] bits)

All these bits are in the SCIBRR register.

Example: If  $f_{CPU}$  is 8 MHz (normal mode) and if PR=13 and TR=RR=1, the transmit and receive baud rates are 38400 baud.

*Note:* The baud rate registers **MUST NOT** be changed while the transmitter or the receiver is enabled.

### Receiver muting and Wakeup feature

In multiprocessor configurations it is often desirable that only the intended message recipient should actively receive the full message contents, thus reducing redundant SCI service overhead for all non addressed receivers.

The non addressed devices may be placed in sleep mode by means of the muting function.

Setting the RWU bit by software puts the SCI in sleep mode:

All the reception status bits can not be set.

All the receive interrupts are inhibited.

A muted receiver may be awakened by one of the following two ways:

- By Idle Line detection if the WAKE bit is reset,
- By Address Mark detection if the WAKE bit is set.

Receiver wakes-up by Idle Line detection when the Receive line has recognized an Idle Frame. Then the RWU bit is reset by hardware but the IDLE bit is not set.

Receiver wakes-up by Address Mark detection when it received a "1" as the most significant bit of a word, thus indicating that the message is an address. The reception of this particular word wakes up the receiver, resets the RWU bit and sets the RDRF bit, which allows the receiver to receive this word normally and to use it as an address word.

**Caution:** In Mute mode, do not write to the SCICR2 register. If the SCI is in Mute mode during the read operation (RWU=1) and a address mark wake up event occurs (RWU is reset) before the write operation, the RWU bit will be set again by this write operation. Consequently the address byte is lost and the SCI is not woken up from Mute mode.

## Parity control

Parity control (generation of parity bit in transmission and parity checking in reception) can be enabled by setting the PCE bit in the SCICR1 register. Depending on the frame length defined by the M bit, the possible SCI frame formats are as listed in [Table 26](#).

**Table 26. Frame formats<sup>(1)</sup>**

M bit	PCE bit	SCI frame
0	0	SB   8 bit data   STB
0	1	SB   7-bit data   PB   STB
1	0	SB   9-bit data   STB
1	1	SB   8-bit data PB   STB

1. SB = Start Bit, STB = Stop Bit, PB = Parity Bit

*Note:* In case of wakeup by an address mark, the MSB bit of the data is taken into account and not the parity bit

**Even parity:** the parity bit is calculated to obtain an even number of “1s” inside the frame made of the 7 or 8 LSB bits (depending on whether M is equal to 0 or 1) and the parity bit.

Ex: data=00110101; 4 bits set => parity bit will be 0 if even parity is selected (PS bit = 0).

**Odd parity:** the parity bit is calculated to obtain an odd number of “1s” inside the frame made of the 7 or 8 LSB bits (depending on whether M is equal to 0 or 1) and the parity bit.

Ex: data=00110101; 4 bits set => parity bit will be 1 if odd parity is selected (PS bit = 1).

**Transmission mode:** If the PCE bit is set then the MSB bit of the data written in the data register is not transmitted but is changed by the parity bit.

**Reception mode:** If the PCE bit is set then the interface checks if the received data byte has an even number of “1s” if even parity is selected (PS=0) or an odd number of “1s” if odd parity is selected (PS=1). If the parity check fails, the PE flag is set in the SCISR register and an interrupt is generated if PIE is set in the SCICR1 register.

## SCI clock tolerance

During reception, each bit is sampled 16 times. The majority of the 8th, 9th and 10th samples is considered as the bit value. For a valid bit detection, all the three samples should have the same value otherwise the noise flag (NF) is set. For example: if the 8th, 9th and 10th samples are 0, 1 and 1 respectively, then the bit value will be “1”, but the Noise Flag bit is set because the three samples values are not the same.

Consequently, the bit length must be long enough so that the 8th, 9th and 10th samples have the desired bit value. This means the clock frequency should not vary more than 6/16 (37.5%) within one bit. The sampling clock is resynchronized at each start bit, so that when receiving 10 bits (one start bit, 1 data byte, 1 stop bit), the clock deviation must not exceed 3.75%.

*Note:* The internal sampling clock of the microcontroller samples the pin value on every falling edge. Therefore, the internal sampling clock and the time the application expects the sampling to take place may be out of sync. For example: If the baud rate is 15.625 kbaud (bit length is 64µs), then the 8th, 9th and 10th samples will be at 28µs, 32 µs & 36 µs respectively (the first sample starting ideally at 0 µs). But if the falling edge of the internal

clock occurs just before the pin value changes, the samples would then be out of sync by  $\sim 4 \mu\text{s}$ . This means the entire bit length must be at least  $40 \mu\text{s}$  ( $36 \mu\text{s}$  for the 10th sample +  $4 \mu\text{s}$  for synchronization with the internal sampling clock).

### Clock deviation causes

The causes which contribute to the total deviation are:

- $D_{\text{TRA}}$ : Deviation due to transmitter error (Local oscillator error of the transmitter or the transmitter is transmitting at a different baud rate).
- $D_{\text{QUANT}}$ : Error due to the baud rate quantisation of the receiver.
- $D_{\text{REC}}$ : Deviation of the local oscillator of the receiver: This deviation can occur during the reception of one complete SCI message assuming that the deviation has been compensated at the beginning of the message.
- $D_{\text{TCL}}$ : Deviation due to the transmission line (generally due to the transceivers)

All the deviations of the system should be added and compared to the SCI clock tolerance:

$$D_{\text{TRA}} + D_{\text{QUANT}} + D_{\text{REC}} + D_{\text{TCL}} < 3.75\%$$

### Noise error causes

See also description of Noise error in [Section](#).

#### Start bit

The noise flag (NF) is set during start bit reception if one of the following conditions occurs:

1. A valid falling edge is not detected. A falling edge is considered to be valid if the 3 consecutive samples before the falling edge occurs are detected as '1' and, after the falling edge occurs, during the sampling of the 16 samples, if one of the samples numbered 3, 5 or 7 is detected as a "1".
2. During sampling of the 16 samples, if one of the samples numbered 8, 9 or 10 is detected as a "1".

Therefore, a valid Start Bit must satisfy both the above conditions to prevent the Noise Flag getting set.

#### Data bits

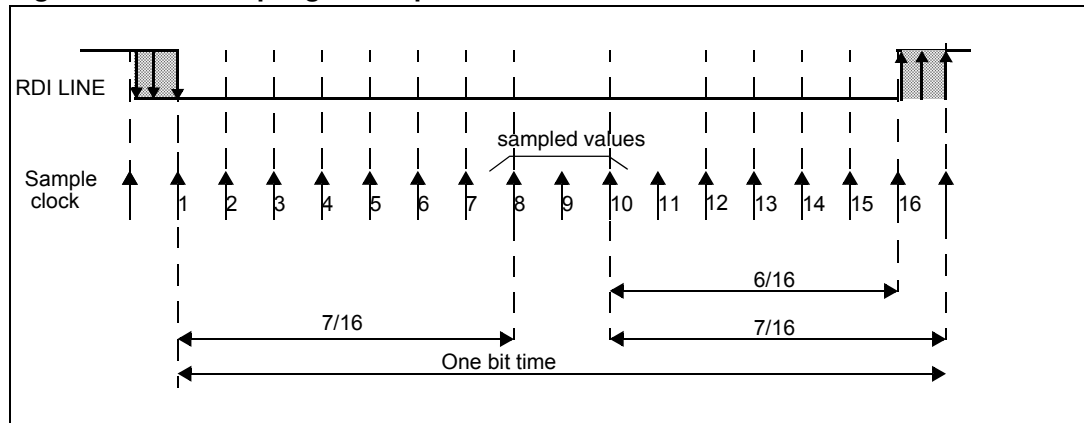
The noise flag (NF) is set during normal data bit reception if the following condition occurs:

- During the sampling of 16 samples, if all three samples numbered 8, 9 and 10 are not the same. The majority of the 8th, 9th and 10th samples is considered as the bit value.

Therefore, a valid Data Bit must have samples 8, 9 and 10 at the same value to prevent the Noise Flag getting set.



Figure 43. Bit sampling in reception mode



### 11.3.5 Low power modes

Table 27. Low power modes

Mode	Description
WAIT	No effect on SCI. SCI interrupts cause the device to exit from Wait mode.
HALT	SCI registers are frozen. In Halt mode, the SCI stops transmitting/receiving until Halt mode is exited.

### 11.3.6 Interrupts

Table 28. Interrupts

Interrupt event	Event flag	Enable Control bit	Exit from Wait	Exit from Halt
Transmit Data register Empty	TDRE	TIE	Yes	No
Transmission Complete	TC	TCIE	Yes	No
Received Data Ready to be Read	RDRF	RIE	Yes	No
Overrun Error Detected	OR		Yes	No
Idle Line Detected	IDLE	ILIE	Yes	No
Parity Error	PE	PIE	Yes	No

The SCI interrupt events are connected to the same interrupt vector.

These events generate an interrupt if the corresponding Enable Control Bit is set and the interrupt mask in the CC register is reset (RIM instruction).

### 11.3.7 Register description

#### Status register (SCISR)

Reset value: 1100 0000 (C0h)

7	0						
TDRE	TC	RDRF	IDLE	OR	NF	FE	PE
Read only							

**7 TDRE** *Transmit data register empty.*

This bit is set by hardware when the content of the TDR register has been transferred into the shift register. An interrupt is generated if the TIE bit=1 in the SCICR2 register. It is cleared by a software sequence (an access to the SCISR register followed by a write to the SCIDR register).

0: Data is not transferred to the shift register

1: Data is transferred to the shift register

*Note: Data will not be transferred to the shift register unless the TDRE bit is cleared.*

**6 TC** *Transmission complete.*

This bit is set by hardware when transmission of a frame containing Data is complete. An interrupt is generated if TCIE=1 in the SCICR2 register. It is cleared by a software sequence (an access to the SCISR register followed by a write to the SCIDR register).

0: Transmission is not complete

1: Transmission is complete

*Note: TC is not set after the transmission of a Preamble or a Break.*

**5 RDRF** *Received data ready flag.*

This bit is set by hardware when the content of the RDR register has been transferred to the SCIDR register. An interrupt is generated if RIE=1 in the SCICR2 register. It is cleared by a software sequence (an access to the SCISR register followed by a read to the SCIDR register).

0: Data is not received

1: Received data is ready to be read

**4 IDLE** *Idle line detect.*

This bit is set by hardware when a Idle Line is detected. An interrupt is generated if the ILIE=1 in the SCICR2 register. It is cleared by a software sequence (an access to the SCISR register followed by a read to the SCIDR register).

0: No Idle Line is detected

1: Idle Line is detected

*Note: The IDLE bit will not be set again until the RDRF bit has been set itself (i.e. a new idle line occurs).*

**3 OR** *Overrun error.*

This bit is set by hardware when the word currently being received in the shift register is ready to be transferred into the RDR register while RDRF=1. An interrupt is generated if RIE=1 in the SCICR2 register. It is cleared by a software sequence (an access to the SCISR register followed by a read to the SCIDR register).

0: No Overrun error

1: Overrun error is detected

*Note: When this bit is set RDR register content will not be lost but the shift register will be overwritten.*

**2 NF** *Noise flag.*

This bit is set by hardware when noise is detected on a received frame. It is cleared by a software sequence (an access to the SCISR register followed by a read to the SCIDR register).

0: No noise is detected

1: Noise is detected

*Note: This bit does not generate interrupt as it appears at the same time as the RDRF bit which itself generates an interrupt.*

**1 FE** *Framing error.*

This bit is set by hardware when a de-synchronization, excessive noise or a break character is detected. It is cleared by a software sequence (an access to the SCISR register followed by a read to the SCIDR register).

0: No Framing error is detected

1: Framing error or break character is detected

*Note: This bit does not generate interrupt as it appears at the same time as the RDRF bit which itself generates an interrupt. If the word currently being transferred causes both frame error and overrun error, it will be transferred and only the OR bit will be set.*

**0 PE** *Parity error.*

This bit is set by hardware when a parity error occurs in receiver mode. It is cleared by a software sequence (a read to the status register followed by an access to the SCIDR data register). An interrupt is generated if PIE=1 in the SCICR1 register.

0: No parity error

1: Parity error

**Control register 1 (SCICR1)**

Reset value: x000 0000 (x0h)

7							0
R8	T8	SCID	M	WAKE	PCE	PS	PIE
Read/write							

- 7 R8** *Receive data bit 8.*  
This bit is used to store the 9th bit of the received word when M=1.
- 6 T8** *Transmit data bit 8.*  
This bit is used to store the 9th bit of the transmitted word when M=1.
- 5 SCID** *Disabled for low power consumption*  
When this bit is set the SCI prescalers and outputs are stopped and the end of the current byte transfer in order to reduce power consumption. This bit is set and cleared by software.  
0: SCI enabled  
1: SCI prescaler and outputs disabled
- 4 M** *Word length.*  
This bit determines the word length. It is set or cleared by software.  
0: 1 Start bit, 8 Data bits, 1 Stop bit  
1: 1 Start bit, 9 Data bits, 1 Stop bit  
*Note: The M bit must not be modified during a data transfer (both transmission and reception).*
- 3 WAKE** *Wakeup method.*  
This bit determines the SCI wakeup method, it is set or cleared by software.  
0: Idle Line  
1: Address Mark
- 2 PCE** *Parity control enable.*  
This bit selects the hardware parity control (generation and detection). When the parity control is enabled, the computed parity is inserted at the MSB position (9th bit if M=1; 8th bit if M=0) and parity is checked on the received data. This bit is set and cleared by software. Once it is set, PCE is active after the current byte (in reception and in transmission).  
0: Parity control disabled  
1: Parity control enabled
- 1 PS** *Parity selection.*  
This bit selects the odd or even parity when the parity generation/detection is enabled (PCE bit set). It is set and cleared by software. The parity will be selected after the current byte.  
0: Even parity  
1: Odd parity
- 0 PIE** *Parity interrupt enable.*  
This bit enables the interrupt capability of the hardware parity control when a parity error is detected (PE bit set). It is set and cleared by software.  
0: Parity error interrupt disabled  
1: Parity error interrupt enabled.

**Control register 2 (SCICR2)**

Reset value: 0000 0000 (00h)

7	TCIE	RIE	ILIE	TE	RE	RWU	SBK	0
Read/write								

- 7 **TIE** *Transmitter interrupt enable.*  
This bit is set and cleared by software.  
0: Interrupt is inhibited  
1: An SCI interrupt is generated whenever TDRE=1 in the SCISR register
- 6 **TCIE** *Transmission complete interrupt enable*  
This bit is set and cleared by software.  
0: Interrupt is inhibited  
1: An SCI interrupt is generated whenever TC=1 in the SCISR register
- 5 **RIE** *Receiver interrupt enable.*  
This bit is set and cleared by software.  
0: Interrupt is inhibited  
1: An SCI interrupt is generated whenever OR=1 or RDRF=1 in the SCISR register
- 4 **ILIE** *Idle line interrupt enable.*  
This bit is set and cleared by software.  
0: Interrupt is inhibited  
1: An SCI interrupt is generated whenever IDLE=1 in the SCISR register.
- 3 **TE** *Transmitter enable.*  
This bit enables the transmitter. It is set and cleared by software.  
0: Transmitter is disabled  
1: Transmitter is enabled  
*Note: During transmission, a "0" pulse on the TE bit ("0" followed by "1") sends a preamble (idle line) after the current word.  
When TE is set there is a 1 bit-time delay before the transmission starts.*
- Caution:** The TDO pin is free for general purpose I/O only when the TE and RE bits are both cleared (or if TE is never set).

- 2 **RE Receiver enable.**  
 This bit enables the receiver. It is set and cleared by software.  
 0: Receiver is disabled  
 1: Receiver is enabled and begins searching for a start bit
  
- 1 **RWU Receiver wakeup.**  
 This bit determines if the SCI is in mute mode or not. It is set and cleared by software and can be cleared by hardware when a wakeup sequence is recognized.  
 0: Receiver in Active mode  
 1: Receiver in Mute mode  
*Note: Before selecting Mute mode (setting the RWU bit), the SCI must receive some data first, otherwise it cannot function in Mute mode with wakeup by idle line detection.*
  
- 0 **SBK Send break.**  
 This bit set is used to send break characters. It is set and cleared by software.  
 0: No break character is transmitted  
 1: Break characters are transmitted  
*Note: If the SBK bit is set to "1" and then to "0", the transmitter will send a BREAK word at the end of the current word.*

**Data register (SCIDR)**

Reset value: Undefined

This register contains the received or transmitted data character, depending on whether it is read from or written to.

7									0
DR7	DR6	DR5	DR4	DR3	DR2	DR1	DR0		
Read/write									

The Data register performs a double function (read and write) since it is composed of two registers, one for transmission (TDR) and one for reception (RDR).  
 The TDR register provides the parallel interface between the internal bus and the output shift register (see [Figure 41](#)).  
 The RDR register provides the parallel interface between the input shift register and the internal bus (see [Figure 41](#)).

**Baud Rate register (SCIBRR)**

Reset value: 0000 0000 (00h)

7							0
SCP1	SCP0	SCT2	SCT1	SCT0	SCR2	SCR1	SCR0
Read/write							

[7:6] **SCP[1:0]** *First SCI Prescaler*

These 2 prescaling bits allow several standard clock division ranges (see [Table 29](#)).

[5:3] **SCT[2:0]** *SCI Transmitter rate divisor*

These 3 bits, in conjunction with the SCP1 & SCP0 bits define the total division applied to the bus clock to yield the transmit rate clock (see [Table 30](#)).

[2:0] **SCR[2:0]** *SCI Receiver rate divisor*

These 3 bits, in conjunction with the SCP[1:0] bits define the total division applied to the bus clock to yield the receive rate clock (see [Table 31](#)).

**Table 29. Prescaling factors**

PR prescaling factor	SCP1	SCP0
1	0	0
3	0	1
4	1	0
13	1	1

**Table 30. TR dividing factors**

TR dividing factor	SCT2	SCT1	SCT0
1	0	0	0
2	0	0	1
4	0	1	0
8	0	1	1
16	1	0	0
32	1	0	1
64	1	1	0
128	1	1	1

**Table 31. RR dividing factor**

RR dividing factor	SCR2	SCR1	SCR0
1	0	0	0
2	0	0	1
4	0	1	0

**Table 31. RR dividing factor**

RR dividing factor	SCR2	SCR1	SCR0
8	0	1	1
16	1	0	0
32	1	0	1
64	1	1	0
128	1	1	1

**Table 32. SCI register map and reset values**

Address (Hex.)	Register label	7	6	5	4	3	2	1	0
20	SCISR Reset value	TDRE 1	TC 1	RDRF 0	IDLE 0	OR 0	NF 0	FE 0	PE 0
21	SCIDR Reset value	DR7 x	DR6 x	DR5 x	DR4 x	DR3 x	DR2 x	DR1 x	DR0 x
22	SCIBRR Reset value	SCP1 0	SCP0 0	SCT2 x	SCT1 x	SCT0 x	SCR2 x	SCR1 x	SCR0 x
23	SCICR1 Reset value	R8 x	T8 x	SCID 0	M x	WAKE x	PCE 0	PS 0	PIE 0
24	SCICR2 Reset value	TIE 0	TCIE 0	RIE 0	ILIE 0	TE 0	RE 0	RWU 0	SBK 0



## 11.4 USB interface (USB)

### 11.4.1 Introduction

The USB Interface implements a low-speed function interface between the USB and the ST7 microcontroller. It is a highly integrated circuit which includes the transceiver, 3.3 voltage regulator, SIE and DMA. No external components are needed apart from the external pull-up on USBDM for low speed recognition by the USB host. The use of DMA architecture allows the endpoint definition to be completely flexible. Endpoints can be configured by software as in or out.

### 11.4.2 Main features

- USB Specification Version 1.1 Compliant
- Supports Low-Speed USB Protocol
- Two or Three Endpoints (including default one) depending on the device (see device feature list and register map)
- CRC generation/checking, NRZI encoding/decoding and bit-stuffing
- USB Suspend/Resume operations
- DMA Data transfers
- On-Chip 3.3 V Regulator
- On-Chip USB Transceiver

### 11.4.3 Functional description

The block diagram in [Figure 44](#), gives an overview of the USB interface hardware.

For general information on the USB, refer to the “Universal Serial Bus Specifications” document available at <http://www.usb.org>.

#### Serial interface engine

The SIE (Serial Interface Engine) interfaces with the USB, via the transceiver.

The SIE processes tokens, handles data transmission/reception, and handshaking as required by the USB standard. It also performs frame formatting, including CRC generation and checking.

#### Endpoints

The Endpoint registers indicate if the microcontroller is ready to transmit/receive, and how many bytes need to be transmitted.

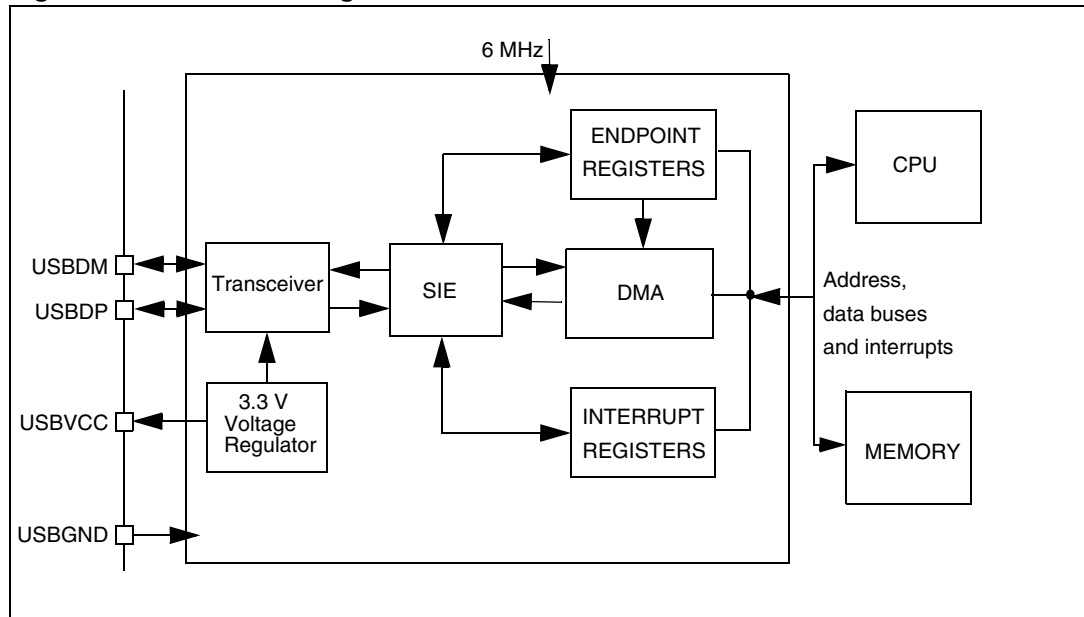
#### DMA

When a token for a valid Endpoint is recognized by the USB interface, the related data transfer takes place, using DMA. At the end of the transaction, an interrupt is generated.

#### Interrupts

By reading the Interrupt Status register, application software can know which USB event has occurred.

Figure 44. USB block diagram



### 11.4.4 Register description

#### DMA Address register (DMAR)

Reset value: undefined

7							0
DA15	DA14	DA13	DA12	DA11	DA10	DA9	DA8
Read/write							

[7:0] **DA[15:8]** DMA address bits 15-8.

Software must write the start address of the DMA memory area whose most significant bits are given by DA15-DA6. The remaining 6 address bits are set by hardware. See the description of the IDR register and [Figure 45](#).

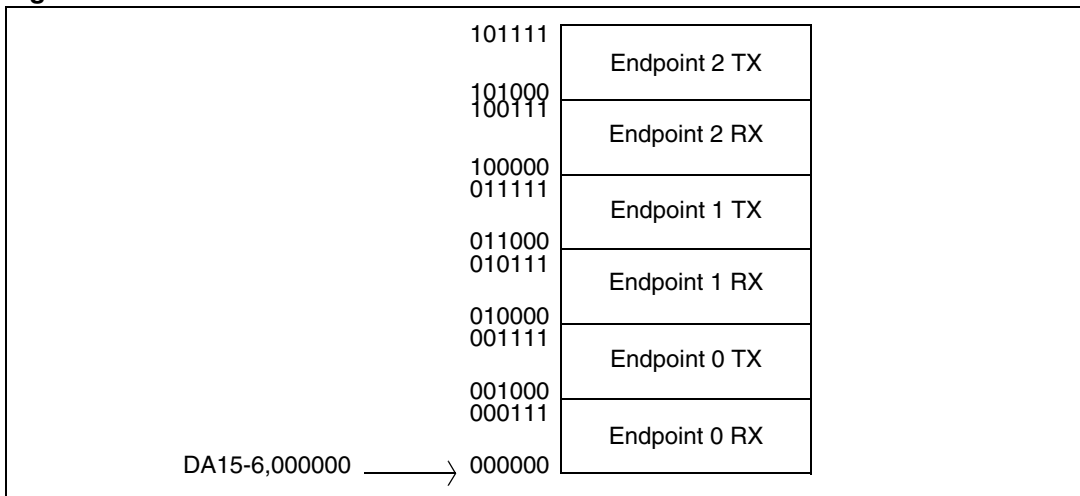
### Interrupt/DMA register (IDR)

Reset value: xxxx 0000 (x0h)

7							0
DA7	DA6	EP1	EP0	CNT3	CNT2	CNT1	CNT0
Read.write							

- [7:6] **DA[7:6]** *DMA address bits 7-6.*  
Software must reset these bits. See the description of the DMAR register and [Figure 45](#).
- [5:4] **EP[1:0]** *Endpoint number (read-only).* These bits identify the endpoint which required attention.  
00: Endpoint 0  
01: Endpoint 1  
10: Endpoint 2  
When a CTR interrupt occurs (see register ISTR) the software should read the EP bits to identify the endpoint which has sent or received a packet.
- [3:0] **CNT[3:0]** *Byte count (read only).*  
This field shows how many data bytes have been received during the last data reception.  
*Note: Not valid for data transmission.*

**Figure 45. DMA buffers**



**PID register (PIDR)**

Reset value: xx00 0000 (x0h)

7	0						
TP3	TP2	0	0	0	RX_ SEZ	RXD	0
Read only							

[7:6] **TP[3:2]** *Token PID bits 3 & 2.*

USB token PIDs are encoded in four bits. **TP[3:2]** correspond to the variable token PID bits 3 & 2.

: PID bits 1 & 0 have a fixed value of 01.

*Note: When a CTR interrupt occurs (see register ISTR) the software should read the TP3 and TP2 bits to retrieve the PID name of the token received.*

*The USB standard defines TP bits (see Table 33).*

[5:3] Reserved. Forced by hardware to 0.

2 **RX\_SEZ** *Received single-ended zero*

This bit indicates the status of the RX\_SEZ transceiver output.

0: No SE0 (single-ended zero) state

1: USB lines are in SE0 (single-ended zero) state

1 **RXD** *Received data*

0: No K-state

1: USB lines are in K-state

This bit indicates the status of the RXD transceiver output (differential receiver output).

If the environment is noisy, the RX\_SEZ and RXD bits can be used to secure the application. By interpreting the status, software can distinguish a valid End Suspend event from a spurious wakeup due to noise on the external USB line. A valid End Suspend is followed by a Resume or Reset sequence. A Resume is indicated by RXD=1, a Reset is indicated by RX\_SEZ=1.

0 Reserved. Forced by hardware to 0.

**Table 33. TP bit definition**

TP3	TP2	PID Name
0	0	OUT
1	0	IN
1	1	SETUP

**Interrupt Status register (ISTR)**

Reset value: 0000 0000 (00h)

7	SUSP	DOVR	CTR	ERR	IOVR	ESUSP	RESET	0	SOF
Read.write									

When an interrupt occurs these bits are set by hardware. Software must read them to determine the interrupt type and clear them after servicing.

*Note:* These bits cannot be set by software.

**7 SUSP** *Suspend mode request.*

This bit is set by hardware when a constant idle state is present on the bus line for more than 3 ms, indicating a suspend mode request from the USB bus. The suspend request check is active immediately after each USB reset event and its disabled by hardware when suspend mode is forced (FSUSP bit of CTLR register) until the end of resume sequence.

**6 DOVR** *DMA over/underrun.*

This bit is set by hardware if the ST7 processor can't answer a DMA request in time.

0: No over/underrun detected

1: Over/underrun detected

**5 CTR** *Correct Transfer.* This bit is set by hardware when a correct transfer operation is performed. The type of transfer can be determined by looking at bits TP3-TP2 in register PIDR. The Endpoint on which the transfer was made is identified by bits EP1-EP0 in register IDR.

0: No Correct Transfer detected

1: Correct Transfer detected

*Note:* A transfer where the device sent a NAK or STALL handshake is considered not correct (the host only sends ACK handshakes). A transfer is considered correct if there are no errors in the PID and CRC fields, if the DATA0/DATA1 PID is sent as expected, if there were no data overruns, bit stuffing or framing errors.

**4 ERR** *Error.*

This bit is set by hardware whenever one of the errors listed below has occurred:

0: No error detected

1: Timeout, CRC, bit stuffing or nonstandard framing error detected

**3 IOVR** *Interrupt overrun.*

This bit is set when hardware tries to set ERR, or SOF before they have been cleared by software.

0: No overrun detected

1: Overrun detected

**2 ESUSP** *End suspend mode.*

This bit is set by hardware when, during suspend mode, activity is detected that wakes the USB interface up from suspend mode.

This interrupt is serviced by a specific vector, in order to wake up the ST7 from Halt mode.

- 0: No End Suspend detected
- 1: End Suspend detected

**1 RESET** *USB reset.*

This bit is set by hardware when the USB reset sequence is detected on the bus.

- 0: No USB reset signal detected
- 1: USB reset signal detected

*Note: The DADDR, EP0RA, EP0RB, EP1RA, EP1RB, EP2RA and EP2RB registers are reset by a USB reset.*

**0 SOF** *Start of frame.*

This bit is set by hardware when a low-speed SOF indication (keep-alive strobe) is seen on the USB bus. It is also issued at the end of a resume sequence.

- 0: No SOF signal detected
- 1: SOF signal detected

*Note: To avoid spurious clearing of some bits, it is recommended to clear them using a load instruction where all bits which must not be altered are set, and all bits to be cleared are reset. Avoid read-modify-write instructions like AND, XOR.*

**Interrupt Mask register (IMR)**

These bits are mask bits for all interrupt condition bits included in the ISTR. Whenever one of the IMR bits is set, if the corresponding ISTR bit is set, and the I bit in the CC register is cleared, an interrupt request is generated. For an explanation of each bit, please refer to the corresponding bit description in ISTR.

Reset value: 0000 0000 (00h)

	7						0	
	SUSPM	DOVRM	CTRM	ERRM	IOVRM	ESUSPM	RESETM	SOFM
Read.write								

### Control register (CTLR)

Reset value: 0000 0110 (06h)

7							0
0	0	0	0	RESUME	PDWN	FSUSP	FRES
Read/write							

[7:4] Reserved. Forced by hardware to 0.

**3 RESUME** *Resume.*

This bit is set by software to wakeup the Host when the ST7 is in suspend mode.

0: Resume signal not forced

1: Resume signal forced on the USB bus.

Software should clear this bit after the appropriate delay.

**2 PDWN** *Power down.*

This bit is set by software to turn off the 3.3 V on-chip voltage regulator that supplies the external pull-up resistor and the transceiver.

0: Voltage regulator on

1: Voltage regulator off

*Note: After turning on the voltage regulator, software should allow at least 3 μs for stabilization of the power supply before using the USB interface.*

**1 FSUSP** *Force suspend mode.*

This bit is set by software to enter Suspend mode. The ST7 should also be halted allowing at least 600 ns before issuing the HALT instruction.

0: Suspend mode inactive

1: Suspend mode active

When the hardware detects USB activity, it resets this bit (it can also be reset by software).

**0 FRES** *Force reset.*

This bit is set by software to force a reset of the USB interface, just as if a RESET sequence came from the USB.

0: Reset not forced

1: USB interface reset forced.

The USB is held in RESET state until software clears this bit, at which point a “USB-RESET” interrupt will be generated if enabled.

### Device Address register (DADDR)

Reset value: 0000 0000 (00h)

7							0
0	ADD6	ADD5	ADD4	ADD3	ADD2	ADD1	ADD0
Read/write							

7 Reserved. Forced by hardware to 0.

**[6:0] ADD[6:0]** *Device address, 7 bits.*

Software must write into this register the address sent by the host during enumeration.

*Note: This register is also reset when a USB reset is received from the USB bus or forced through bit FRES in the CTLR register.*

### Endpoint n register A (EPnRA)

These registers (EP0RA, EP1RA and EP2RA) are used for controlling data transmission. They are also reset by the USB bus reset.

*Note: Endpoint 2 and the EP2RA register are not available on some devices (see device feature list and register map).*

Reset value: 0000 xxxx (0xh)

7							0
ST_OUT	DTOG_TX	STAT_TX1	STAT_TX0	TBC3	TBC2	TBC1	TBC0
Read.write							

**7 ST\_OUT** Status out.

This bit is set by software to indicate that a status out packet is expected: in this case, all nonzero OUT data transfers on the endpoint are STALLED instead of being ACKed. When ST\_OUT is reset, OUT transactions can have any number of bytes, as needed.

**6 DTOG\_TX** Data Toggle, for transmission transfers.

It contains the required value of the toggle bit (0=DATA0, 1=DATA1) for the next transmitted data packet. This bit is set by hardware at the reception of a SETUP PID. DTOG\_TX toggles only when the transmitter has received the ACK signal from the USB host. DTOG\_TX and also DTOG\_RX (see EPnRB) are normally updated by hardware, at the receipt of a relevant PID. They can be also written by software.

**[5:4] STAT\_TX[1:0]** Status bits, for transmission transfers.

These bits contain the information about the endpoint status, which are listed in [Table 34](#).

These bits are written by software. Hardware sets the STAT\_TX bits to NAK when a correct transfer has occurred (CTR=1) related to a IN or SETUP transaction addressed to this endpoint; this allows the software to prepare the next set of data to be transmitted.

**[3:0] TBC[3:0]** Transmit byte count for Endpoint n.

Before transmission, after filling the transmit buffer, software must write in the TBC field the transmit packet size expressed in bytes (in the range 0-8).

**Caution:** Any value outside the range 0-8 will induce undesired effects (such as continuous data transmission).

**Table 34. STAT\_TX bit definition**

STAT_TX1	STAT_TX0	Meaning
0	0	<b>DISABLED:</b> transmission transfers cannot be executed.
0	1	<b>STALL:</b> the endpoint is stalled and all transmission requests result in a STALL handshake.
1	0	<b>NAK:</b> the endpoint is naked and all transmission requests result in a NAK handshake.
1	1	<b>VALID:</b> this endpoint is enabled for transmission.



### Endpoint n register B (EPnRB)

These registers (EP1RB and EP2RB) are used for controlling data reception on Endpoints 1 and 2. They are also reset by the USB bus reset.

*Note: Endpoint 2 and the EP2RB register are not available on some devices (see device feature list and register map).*

Reset value: 0000 xxxx (0xh)

7							0
CTRL	D TOG _RX	STAT _RX1	STAT _RX0	EA3	EA2	EA1	EA0
Read.write							

**7 CTRL Control.**

This bit should be 0.

*Note: If this bit is 1, the Endpoint is a control endpoint. (Endpoint 0 is always a control Endpoint, but it is possible to have more than one control Endpoint).*

**6 DTOG\_RX Data toggle, for reception transfers.**

It contains the expected value of the toggle bit (0=DATA0, 1=DATA1) for the next data packet. This bit is cleared by hardware in the first stage (Setup Stage) of a control transfer (SETUP transactions start always with DATA0 PID). The receiver toggles DTOG\_RX only if it receives a correct data packet and the packet's data PID matches the receiver sequence bit.

**[5:4] STAT\_RX [1:0] Status bits, for reception transfers.**

These bits contain the information about the endpoint status, which are listed in [Table 35](#).

These bits are written by software. Hardware sets the STAT\_RX bits to NAK when a correct transfer has occurred (CTR=1) related to an OUT or SETUP transaction addressed to this endpoint, so the software has the time to elaborate the received data before acknowledging a new transaction.

**[3:0] EA[3:0] Endpoint address.**

Software must write in this field the 4-bit address used to identify the transactions directed to this endpoint. Usually EP1RB contains "0001" and EP2RB contains "0010".

**Table 35. STAT\_RX bit definition**

STAT_RX1	STAT_RX0	Meaning
0	0	<b>DISABLED:</b> reception transfers cannot be executed.
0	1	<b>STALL:</b> the endpoint is stalled and all reception requests result in a STALL handshake.
1	0	<b>NAK:</b> the endpoint is naked and all reception requests result in a NAK handshake.
1	1	<b>VALID:</b> this endpoint is enabled for reception.

### Endpoint 0 register B (EP0RB)

This register is used for controlling data reception on Endpoint 0. It is also reset by the USB bus reset.

Reset value: 1000 0000 (80h)

7							0
1	D T O G R X	S T A T R X 1	S T A T R X 0	0	0	0	0
Read.write							

7 Forced by hardware to 1.

[6:4] Refer to the EPnRB register for a description of these bits.

[3:0] Forced by hardware to 0.

### 11.4.5 Programming considerations

The interaction between the USB interface and the application program is described below. Apart from system reset, action is always initiated by the USB interface, driven by one of the USB events associated with the Interrupt Status register (ISTR) bits.

#### Initializing the registers

At system reset, the software must initialize all registers to enable the USB interface to properly generate interrupts and DMA requests.

1. Initialize the DMAR, IDR, and IMR registers (choice of enabled interrupts, address of DMA buffers). Refer the paragraph titled initializing the DMA Buffers.
2. Initialize the EP0RA and EP0RB registers to enable accesses to address 0 and endpoint 0 to support USB enumeration. Refer to the paragraph titled Endpoint Initialization.
3. When addresses are received through this channel, update the content of the DADDR.
4. If needed, write the endpoint numbers in the EA fields in the EP1RB and EP2RB register.

#### Initializing DMA buffers

The DMA buffers are a contiguous zone of memory whose maximum size is 48 bytes. They can be placed anywhere in the memory space to enable the reception of messages. The 10 most significant bits of the start of this memory area are specified by bits DA15-DA6 in registers DMAR and IDR, the remaining bits are 0. The memory map is shown in [Figure 45](#).

Each buffer is filled starting from the bottom (last 3 address bits=000) up.

#### Endpoint Initialization

To be ready to receive, set STAT\_RX to VALID (11b) in EP0RB to enable reception.

To be ready to transmit:

1. Write the data in the DMA transmit buffer.
2. In register EPnRA, specify the number of bytes to be transmitted in the TBC field
3. Enable the endpoint by setting the STAT\_TX bits to VALID (11b) in EPnRA.

*Note:* Once transmission and/or reception are enabled, registers EPnRA and/or EPnRB (respectively) must not be modified by software, as the hardware can change their value on the fly.

When the operation is completed, they can be accessed again to enable a new operation.

### Interrupt handling

#### Start of Frame (SOF)

The interrupt service routine may monitor the SOF events for a 1 ms synchronization event to the USB bus. This interrupt is generated at the end of a resume sequence and can also be used to detect this event.

#### USB Reset (RESET)

When this event occurs, the DADDR register is reset, and communication is disabled in all endpoint registers (the USB interface will not respond to any packet). Software is responsible for reenabling endpoint 0 within 10 ms of the end of reset. To do this, set the STAT\_RX bits in the EP0RB register to VALID.

#### Suspend (SUSP)

The CPU is warned about the lack of bus activity for more than 3 ms, which is a suspend request. The software should set the USB interface to suspend mode and execute an ST7 HALT instruction to meet the USB-specified power constraints.

#### End Suspend (ESUSP)

The CPU is alerted by activity on the USB, which causes an ESUSP interrupt. The ST7 automatically terminates Halt mode.

#### Correct Transfer (CTR)

1. When this event occurs, the hardware automatically sets the STAT\_TX or STAT\_RX to NAK. Every valid endpoint is NAKed until software clears the CTR bit in the ISTR register, independently of the endpoint number addressed by the transfer which generated the CTR interrupt. If the event triggering the CTR interrupt is a SETUP transaction, both STAT\_TX and STAT\_RX are set to NAK.
2. Read the PIDR to obtain the token and the IDR to get the endpoint number related to the last transfer. When a CTR interrupt occurs, the TP3-TP2 bits in the PIDR register and EP1-EP0 bits in the IDR register stay unchanged until the CTR bit in the ISTR register is cleared.
3. Clear the CTR bit in the ISTR register.

**Table 36. USB register map and reset values**

Address (Hex.)	Register Name	7	6	5	4	3	2	1	0
25	PIDR Reset value	TP3 x	TP2 x	0 0	0 0	0 0	RX_SEZ 0	RXD 0	0 0
26	DMAR Reset value	DA15 x	DA14 x	DA13 x	DA12 x	DA11 x	DA10 x	DA9 x	DA8 x

**Table 36. USB register map and reset values (continued)**

Address (Hex.)	Register Name	7	6	5	4	3	2	1	0
27	IDR Reset value	DA7 x	DA6 x	EP1 x	EP0 x	CNT3 0	CNT2 0	CNT1 0	CNT0 0
28	ISTR Reset value	SUSP 0	DOVR 0	CTR 0	ERR 0	IOVR 0	ESUSP 0	RESET 0	SOF 0
29	IMR Reset value	SUSPM 0	DOVRM 0	CTRM 0	ERRM 0	IOVRM 0	ESUSPM 0	RESETM 0	SOFM 0
2A	CTLR Reset value	0 0	0 0	0 0	0 0	RESUME 0	PDWN 1	FSUSP 1	FRES 0
2B	DADDR Reset value	0 0	ADD6 0	ADD5 0	ADD4 0	ADD3 0	ADD2 0	ADD1 0	ADD0 0
2C	EP0RA Reset value	ST_OUT 0	DTOG_TX 0	STAT_TX1 0	STAT_TX0 0	TBC3 x	TBC2 x	TBC1 x	TBC0 x
2D	EP0RB Reset value	1 1	DTOG_RX 0	STAT_RX 1 0	STAT_RX 0 0	0 0	0 0	0 0	0 0
2E	EP1RA Reset value	ST_OUT 0	DTOG_TX 0	STAT_TX1 0	STAT_TX0 0	TBC3 x	TBC2 x	TBC1 x	TBC0 x
2F	EP1RB Reset value	CTRL 0	DTOG_RX 0	STAT_RX 1 0	STAT_RX 0 0	EA3 x	EA2 x	EA1 x	EA0 x
30	EP2RA Reset value	ST_OUT 0	DTOG_TX 0	STAT_TX1 0	STAT_TX0 0	TBC3 x	TBC2 x	TBC1 x	TBC0 x
31	EP2RB Reset value	CTRL 0	DTOG_RX 0	STAT_RX 1 0	STAT_RX 0 0	EA3 x	EA2 x	EA1 x	EA0 x

## 11.5 I<sup>2</sup>C bus interface

### 11.5.1 Introduction

The I<sup>2</sup>C bus interface serves as an interface between the microcontroller and the serial I<sup>2</sup>C bus. It provides both multimaster and slave functions, and controls all I<sup>2</sup>C bus-specific sequencing, protocol, arbitration and timing. It supports fast I<sup>2</sup>C mode (400 kHz).

### 11.5.2 Main features

- Parallel-bus/I<sup>2</sup>C protocol converter
- Multimaster capability
- 7-bit addressing
- Transmitter/receiver flag
- End-of-byte transmission flag
- Transfer problem detection

#### I<sup>2</sup>C master features

- Clock generation
- I<sup>2</sup>C bus busy flag
- Arbitration Lost Flag
- End of byte transmission flag
- Transmitter/Receiver Flag
- Start bit detection flag
- Start and Stop generation

#### I<sup>2</sup>C slave features

- Stop bit detection
- I<sup>2</sup>C bus busy flag
- Detection of misplaced start or stop condition
- Programmable I<sup>2</sup>C Address detection
- Transfer problem detection
- End-of-byte transmission flag
- Transmitter/Receiver flag

### 11.5.3 General description

In addition to receiving and transmitting data, this interface converts it from serial to parallel format and vice versa, using either an interrupt or polled handshake. The interrupts are enabled or disabled by software. The interface is connected to the I<sup>2</sup>C bus by a data pin (SDAI) and by a clock pin (SCLI). It can be connected both with a standard I<sup>2</sup>C bus and a Fast I<sup>2</sup>C bus. This selection is made by software.

### Mode selection

The interface can operate in the four following modes:

- Slave transmitter/receiver
- Master transmitter/receiver

By default, it operates in slave mode.

The interface automatically switches from slave to master after it generates a START condition and from master to slave in case of arbitration loss or a STOP generation, allowing then Multi-Master capability.

### Communication flow

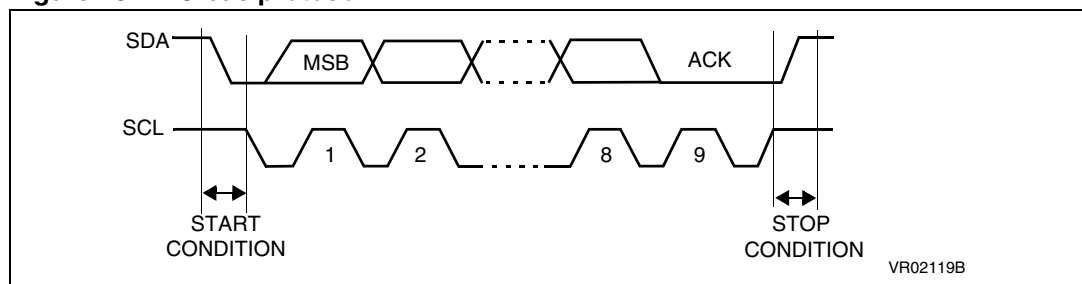
In Master mode, it initiates a data transfer and generates the clock signal. A serial data transfer always begins with a start condition and ends with a stop condition. Both start and stop conditions are generated in master mode by software.

In Slave mode, the interface is capable of recognizing its own address (7-bit), and the General Call address. The General Call address detection may be enabled or disabled by software.

Data and addresses are transferred as 8-bit bytes, MSB first. The first byte following the start condition is the address byte; it is always transmitted in Master mode.

A 9th clock pulse follows the 8 clock cycles of a byte transfer, during which the receiver must send an acknowledge bit to the transmitter. Refer to [Figure 46](#).

**Figure 46. I<sup>2</sup>C bus protocol**



Acknowledge may be enabled and disabled by software.

The I<sup>2</sup>C interface address and/or general call address can be selected by software.

The speed of the I<sup>2</sup>C interface may be selected between Standard (up to 100 kHz) and Fast I<sup>2</sup>C (up to 400 kHz).

### SDA/SCL line control

Transmitter mode: the interface holds the clock line low before transmission to wait for the microcontroller to write the byte in the Data register.

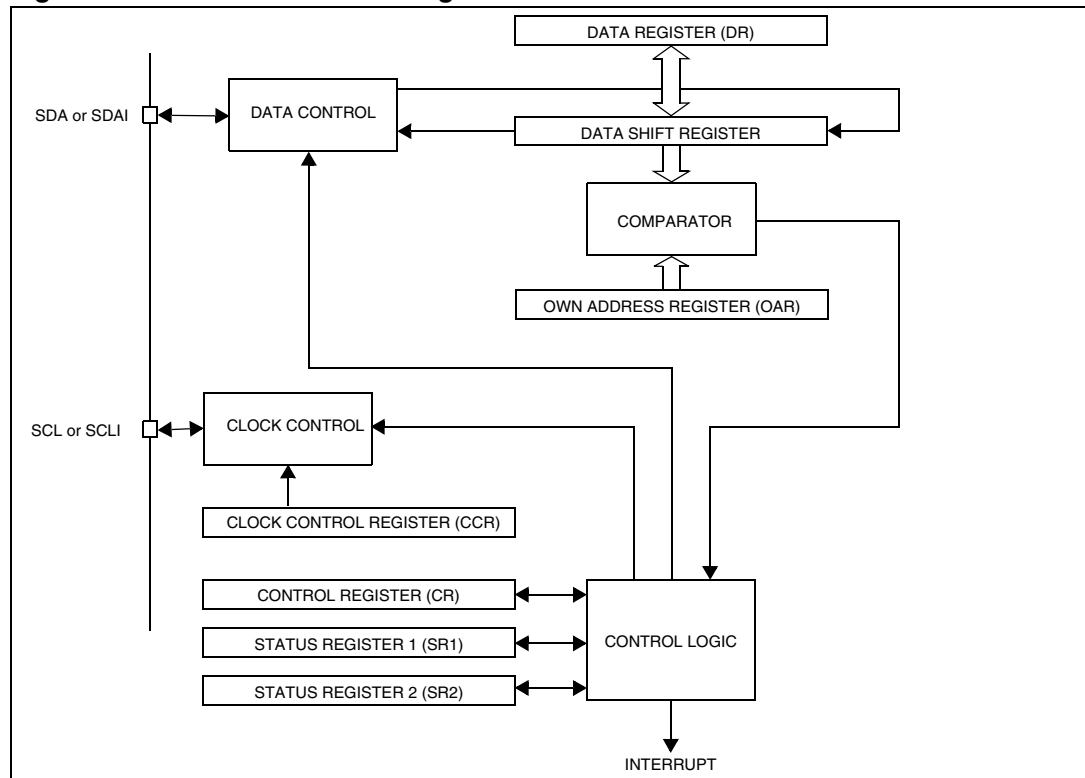
Receiver mode: the interface holds the clock line low after reception to wait for the microcontroller to read the byte in the Data register.

The SCL frequency ( $F_{SCL}$ ) is controlled by a programmable clock divider which depends on the I<sup>2</sup>C bus mode.

When the I<sup>2</sup>C cell is enabled, the SDA and SCL ports must be configured as floating inputs. In this case, the value of the external pull-up resistor used depends on the application.

When the I<sup>2</sup>C cell is disabled, the SDA and SCL ports revert to being standard I/O port pins.

**Figure 47. I<sup>2</sup>C interface block diagram**



### 11.5.4 Functional description

Refer to the CR, SR1 and SR2 registers in [Section 11.5.7](#) for the bit definitions.

By default the I<sup>2</sup>C interface operates in Slave mode (M/SL bit is cleared) except when it initiates a transmit or receive sequence.

#### Slave mode

As soon as a start condition is detected, the address is received from the SDA line and sent to the shift register; then it is compared with the address of the interface or the General Call address (if selected by software).

- **Address not matched:** the interface ignores it and waits for another Start condition.
- Address matched
  - The interface generates in sequence:
    - Acknowledge pulse if the ACK bit is set.
    - EVF and ADSL bits are set with an interrupt if the ITE bit is set.

Then the interface waits for a read of the SR1 register, **holding the SCL line low** (see [Figure 48](#) Transfer sequencing EV1).

Next, software must read the DR register to determine from the least significant bit (Data Direction Bit) if the slave must enter Receiver or Transmitter mode.

Slave receiver

Following the address reception and after SR1 register has been read, the slave receives bytes from the SDA line into the DR register via the internal shift register. After each byte the interface generates in sequence:

- Acknowledge pulse if the ACK bit is set
- EVF and BTF bits are set with an interrupt if the ITE bit is set.

Then the interface waits for a read of the SR1 register followed by a read of the DR register, **holding the SCL line low** (see [Figure 48](#) Transfer sequencing EV2).

Slave transmitter

Following the address reception and after the SR1 register has been read, the slave sends bytes from the DR register to the SDA line via the internal shift register.

The slave waits for a read of the SR1 register followed by a write in the DR register, **holding the SCL line low** (see [Figure 48](#) Transfer sequencing EV3).

When the acknowledge pulse is received, the EVF and BTF bits are set by hardware with an interrupt if the ITE bit is set.

Closing Slave communication

After the last data byte is transferred a Stop Condition is generated by the master. The interface detects this condition and sets EVF and STOPF bits with an interrupt if the ITE bit is set.

Then the interface waits for a read of the SR2 register (see [Figure 48](#) Transfer sequencing EV4).

Error cases

- **BERR**: Detection of a Stop or a Start condition during a byte transfer. In this case, the EVF and the BERR bits are set with an interrupt if the ITE bit is set.  
If it is a Stop, then the interface discards the data, released the lines and waits for another Start condition.  
If it is a Start, then the interface discards the data and waits for the next slave address on the bus.
- **AF**: Detection of a non-acknowledge bit. In this case, the EVF and AF bits are set with an interrupt if the ITE bit is set.  
The AF bit is cleared by reading the I2CSR2 register. However, if read before the completion of the transmission, the AF flag will be set again, thus possibly generating a new interrupt. Software must ensure either that the SCL line is back at 0 before reading the SR2 register, or be able to correctly handle a second interrupt during the 9th pulse of a transmitted byte.

*Note:* In case of errors, SCL line is not held low; however, the SDA line can remain low if the last bits transmitted are all 0. While AF=1, the SCL line may be held low due to SB or BTF flags that are set at the same time. It is then necessary to release both lines by software.

How to Release the SDA / SCL lines

Set and subsequently clear the STOP bit while BTF is set. The SDA/SCL lines are released after the transfer of the current byte.

### Master mode

To switch from default Slave mode to Master mode, a Start condition generation is needed.

Start condition



Setting the START bit while the BUSY bit is cleared causes the interface to switch to Master mode (M/SL bit set) and generates a Start condition.

Once the Start condition is sent, the EVF and SB bits are set by hardware with an interrupt if the ITE bit is set.

Then the master waits for a read of the SR1 register followed by a write in the DR register with the Slave address byte, **holding the SCL line low** (see [Figure 48](#) Transfer sequencing EV5).

Slave address transmission

Then the slave address byte is sent to the SDA line via the internal shift register.

After completion of this transfer (and acknowledge from the slave if the ACK bit is set), the EVF bit is set by hardware with interrupt generation if the ITE bit is set.

Then the master waits for a read of the SR1 register followed by a write in the CR register (for example set PE bit), **holding the SCL line low** (see [Figure 48](#) Transfer sequencing EV6).

Next the master must enter Receiver or Transmitter mode.

#### Master receiver

Following the address transmission and after the SR1 and CR registers have been accessed, the master receives bytes from the SDA line into the DR register via the internal shift register. After each byte the interface generates in sequence:

- Acknowledge pulse if the ACK bit is set
- EVF and BTF bits are set by hardware with an interrupt if the ITE bit is set.

Then the interface waits for a read of the SR1 register followed by a read of the DR register, **holding the SCL line low** (see [Figure 48](#) Transfer sequencing EV7).

To close the communication: before reading the last byte from the DR register, set the STOP bit to generate the Stop condition. The interface goes automatically back to slave mode (M/SL bit cleared).

*Note:* In order to generate the non-acknowledge pulse after the last received data byte, the ACK bit must be cleared just before reading the second last data byte.

Master transmitter

Following the address transmission and after SR1 register has been read, the master sends bytes from the DR register to the SDA line via the internal shift register.

The master waits for a read of the SR1 register followed by a write in the DR register, **holding the SCL line low** (see [Figure 48](#) Transfer sequencing EV8).

When the acknowledge bit is received, the interface sets, EVF and BTF bits with an interrupt if the ITE bit is set.

To close the communication: after writing the last byte to the DR register, set the STOP bit to generate the Stop condition. The interface goes automatically back to slave mode (M/SL bit cleared).

Error cases

- **BERR:** Detection of a Stop or a Start condition during a byte transfer. In this case, the EVF and BERR bits are set by hardware with an interrupt if ITE is set.  
Note that BERR will not be set if an error is detected during the first or second pulse of

each 9-bit transaction:

*Single Master mode*

If a Start or Stop is issued during the first or second pulse of a 9-bit transaction, the BERR flag will not be set and transfer will continue however the BUSY flag will be reset. To work around this, slave devices should issue a NACK when they receive a misplaced Start or Stop. The reception of a NACK or BUSY by the master in the middle of communication gives the possibility to reinitiate transmission.

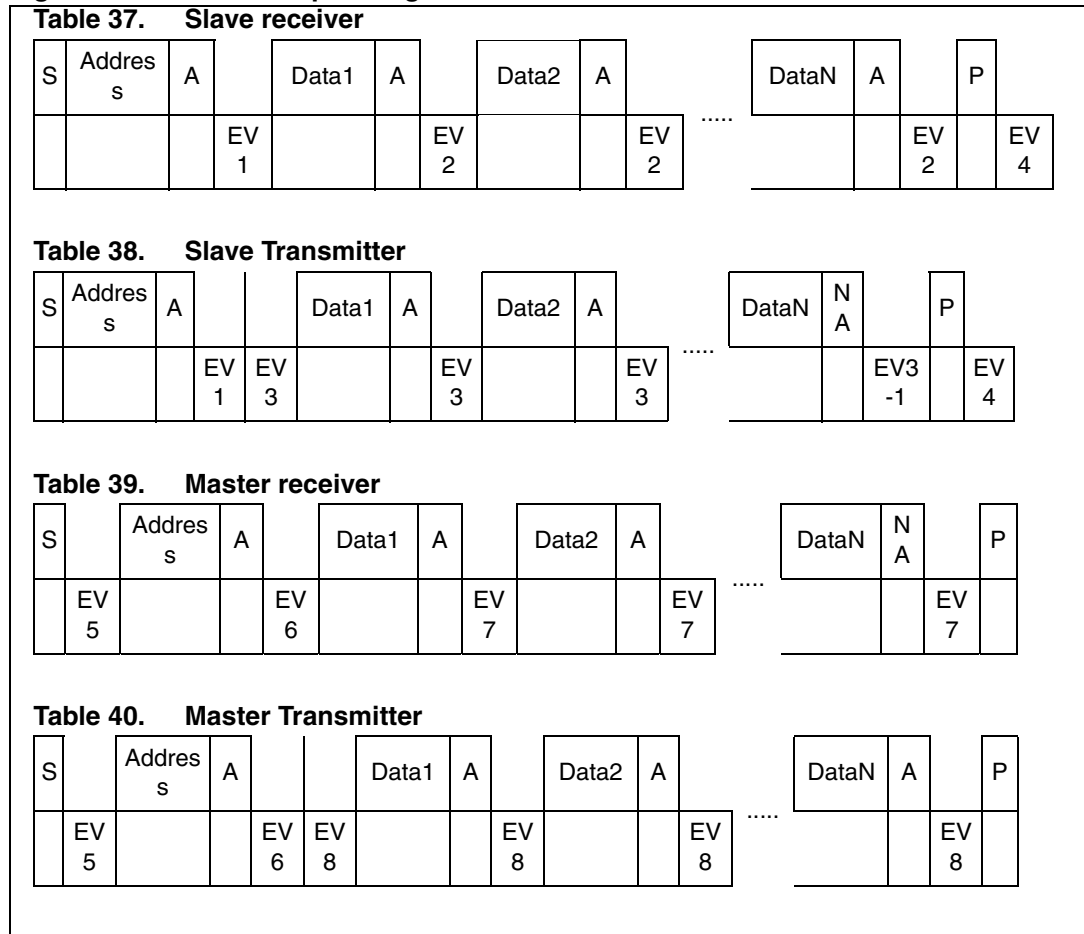
*Multimaster mode*

Normally the BERR bit would be set whenever unauthorized transmission takes place while transfer is already in progress. However, an issue will arise if an external master generates an unauthorized Start or Stop while the I<sup>2</sup>C master is on the first or second pulse of a 9-bit transaction. It is possible to work around this by polling the BUSY bit during I<sup>2</sup>C master mode transmission. The resetting of the BUSY bit can then be handled in a similar manner as the BERR flag being set.

- **AF:** Detection of a non-acknowledge bit. In this case, the EVF and AF bits are set by hardware with an interrupt if the ITE bit is set. To resume, set the START or STOP bit. The AF bit is cleared by reading the I2CSR2 register. However, if read before the completion of the transmission, the AF flag will be set again, thus possibly generating a new interrupt. Software must ensure either that the SCL line is back at 0 before reading the SR2 register, or be able to correctly handle a second interrupt during the 9th pulse of a transmitted byte.
- **ARLO:** Detection of an arbitration lost condition.  
In this case the ARLO bit is set by hardware (with an interrupt if the ITE bit is set and the interface goes automatically back to slave mode (the M/SL bit is cleared).

*Note:* In all these cases, the SCL line is not held low; however, the SDA line can remain low if the last bits transmitted are all 0. While AF=1, the SCL line may be held low due to SB or BTF flags that are set at the same time. It is then necessary to release both lines by software.

**Figure 48. Transfer sequencing**



- Legend:  
 S=Start, P=Stop, A=Acknowledge, NA=Non-acknowledge  
 EVx=Event (with interrupt if ITE=1) **EV1:** EVF=1, ADSL=1, cleared by reading the SR1 register.  
**EV2:** EVF=1, BTF=1, cleared by reading the SR1 register followed by reading the DR register.  
**EV3:** EVF=1, BTF=1, cleared by reading the SR1 register followed by writing the DR register.  
**EV3-1:** EVF=1, AF=1, BTF=1; AF is cleared by reading the SR1 register. The BTF is cleared by releasing the lines (STOP=1, STOP=0) or by writing the DR register (DR=FFh).  
**Note:** If lines are released by STOP=1, STOP=0, the subsequent EV4 is not seen.  
**EV4:** EVF=1, STOPF=1, cleared by reading the SR2 register.  
**EV5:** EVF=1, SB=1, cleared by reading the SR1 register followed by writing the DR register.  
**EV6:** EVF=1, cleared by reading the SR1 register followed by writing the CR register (for example PE=1).  
**EV7:** EVF=1, BTF=1, cleared by reading the SR1 register followed by reading the DR register.  
**EV8:** EVF=1, BTF=1, cleared by reading the SR1 register followed by writing the DR register.

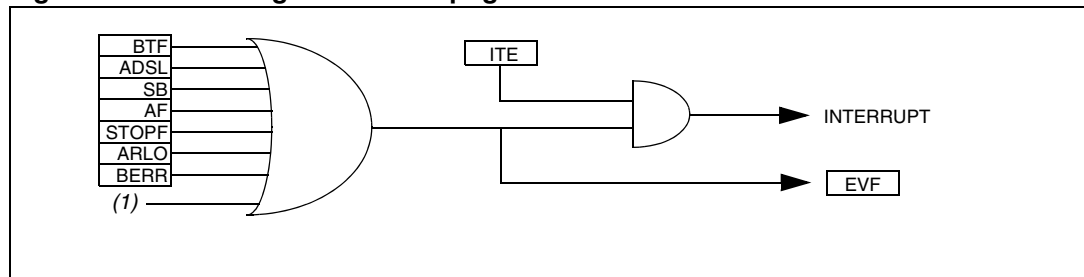
### 11.5.5 Low power modes

**Table 41. Low power modes**

Mode	Description
WAIT	No effect on I <sup>2</sup> C interface. I <sup>2</sup> C interrupts cause the device to exit from Wait mode.
HALT	I <sup>2</sup> C registers are frozen. In Halt mode, the I <sup>2</sup> C interface is inactive and does not acknowledge data on the bus. The I <sup>2</sup> C interface resumes operation when the MCU is woken up by an interrupt with “exit from Halt mode” capability.

### 11.5.6 Interrupts

**Figure 49. Event flags and interrupt generation**



1. EVF can also be set by EV6 or an error from the SR2 register.

**Table 42. Interrupts**

Interrupt event	Event flag	Enable control bit	Exit from Wait	Exit from Halt
End of Byte Transfer Event	BTF	ITE	Yes	No
Address Matched Event (Slave mode)	ADSL		Yes	No
Start Bit Generation Event (Master mode)	SB		Yes	No
Acknowledge Failure Event	AF		Yes	No
Stop Detection Event (Slave mode)	STOPF		Yes	No
Arbitration Lost Event (Multimaster configuration)	ARLO		Yes	No
Bus Error Event	BERR		Yes	No

The I<sup>2</sup>C interrupt events are connected to the same interrupt vector (see Interrupts chapter).

They generate an interrupt if the corresponding Enable Control Bit is set and the I-bit in the CC register is reset (RIM instruction).

## 11.5.7 Register description

### I<sup>2</sup>C Control register (CR)

Reset value: 0000 0000 (00h)

7							0
0	0	PE	ENGC	START	ACK	STOP	ITE
Read/write							

[7:6] Reserved. Forced to 0 by hardware.

**5 PE Peripheral enable.**

This bit is set and cleared by software.

0: Peripheral disabled

1: Master/Slave capability

*Note: When PE=0, all the bits of the CR register and the SR register except the Stop bit are reset. All outputs are released while PE=0.*

*When PE=1, the corresponding I/O pins are selected by hardware as alternate functions.*

*To enable the I<sup>2</sup>C interface, write the CR register **TWICE** with PE=1 as the first write only activates the interface (only PE is set).*

**4 ENGC Enable General Call.**

This bit is set and cleared by software. It is also cleared by hardware when the interface is disabled (PE=0). The 00h General Call address is acknowledged (01h ignored).

0: General Call disabled

1: General Call enabled

*Note: In accordance with the I<sup>2</sup>C standard, when GCAL addressing is enabled, an I<sup>2</sup>C slave can only receive data. It will not transmit data to the master.*

**3 START Generation of a Start condition.** This bit is set and cleared by software. It is also cleared by hardware when the interface is disabled (PE=0) or when the Start condition is sent (with interrupt generation if ITE=1).

In master mode:

0: No start generation

1: Repeated start generation

In slave mode:

0: No start generation

1: Start generation when the bus is free

**2 ACK Acknowledge enable.**

This bit is set and cleared by software. It is also cleared by hardware when the interface is disabled (PE=0).

0: No acknowledge returned

1: Acknowledge returned after an address byte or a data byte is received

**1 STOP Generation of a Stop condition.**

This bit is set and cleared by software. It is also cleared by hardware in master mode. Note: This bit is not cleared when the interface is disabled (PE=0).

In Master mode:

0: No stop generation

1: Stop generation after the current byte transfer or after the current Start condition is sent. The STOP bit is cleared by hardware when the Stop condition is sent.

In Slave mode:

0: No stop generation

1: Release the SCL and SDA lines after the current byte transfer (BTF=1). In this mode the STOP bit has to be cleared by software.

**0 ITE Interrupt enable.**

This bit is set and cleared by software and cleared by hardware when the interface is disabled (PE=0).

0: Interrupts disabled

1: Interrupts enabled

Refer to [Figure 49](#) for the relationship between the events and the interrupt.

SCL is held low when the SB, BTF or ADSL flags or an EV6 event (See [Figure 48](#)) is detected.

**I<sup>2</sup>C Status register 1 (SR1)**

Reset value: 0000 0000 (00h)

7							0
EVF	0	TRA	BUSY	BTF	ADSL	M/SL	SB
Read only							

**7 EVF Event flag**

This bit is set by hardware as soon as an event occurs. It is cleared by software reading SR2 register in case of error event or as described in [Figure 48](#). It is also cleared by hardware when the interface is disabled (PE=0).

0: No event

1: One of the following events has occurred:

- BTF=1 (Byte received or transmitted)
- ADSL=1 (Address matched in Slave mode while ACK=1)
- SB=1 (Start condition generated in Master mode)
- AF=1 (No acknowledge received after byte transmission)
- STOPF=1 (Stop condition detected in Slave mode)
- ARLO=1 (Arbitration lost in Master mode)
- BERR=1 (Bus error, misplaced Start or Stop condition detected)
- Address byte successfully transmitted in Master mode.

6 Reserved. Forced to 0 by hardware.

**5 TRA Transmitter/Receiver.**

When BTF is set, TRA=1 if a data byte has been transmitted. It is cleared automatically when BTF is cleared. It is also cleared by hardware after detection of Stop condition (STOPF=1), loss of bus arbitration (ARLO=1) or when the interface is disabled (PE=0).

0: Data byte received (if BTF=1)

1: Data byte transmitted

**4 BUSY Bus busy.**

This bit is set by hardware on detection of a Start condition and cleared by hardware on detection of a Stop condition. It indicates a communication in progress on the bus. The BUSY flag of the I2CSR1 register is cleared if a Bus Error occurs.

0: No communication on the bus

1: Communication ongoing on the bus

*Note: The BUSY flag is NOT updated when the interface is disabled (PE=0). This can have consequences when operating in Multimaster mode; i.e. a second active I<sup>2</sup>C master commencing a transfer with an unset BUSY bit can cause a conflict resulting in lost data. A software workaround consists of checking that the I<sup>2</sup>C is not busy before enabling the I<sup>2</sup>C Multimaster cell.*

**3 BTF** *Byte transfer finished.*

This bit is set by hardware as soon as a byte is correctly received or transmitted with interrupt generation if ITE=1. It is cleared by software reading SR1 register followed by a read or write of DR register. It is also cleared by hardware when the interface is disabled (PE=0).

Following a byte transmission, this bit is set after reception of the acknowledge clock pulse. In case an address byte is sent, this bit is set only after the EV6 event (See [Figure 48](#)). BTF is cleared by reading SR1 register followed by writing the next byte in DR register.

Following a byte reception, this bit is set after transmission of the acknowledge clock pulse if ACK=1. BTF is cleared by reading SR1 register followed by reading the byte from DR register.

The SCL line is held low while BTF=1.

- 0: Byte transfer not done
- 1: Byte transfer succeeded

**2 ADSL** *Address matched (Slave mode).* This bit is set by hardware as soon as the received slave address matched with the OAR register content or a general call is recognized. An interrupt is generated if ITE=1. It is cleared by software reading SR1 register or by hardware when the interface is disabled (PE=0).

The SCL line is held low while ADSL=1.

- 0: Address mismatched or not received
- 1: Received address matched

**1 M/SL** *Master/Slave.*

This bit is set by hardware as soon as the interface is in Master mode (writing START=1). It is cleared by hardware after detecting a Stop condition on the bus or a loss of arbitration (ARLO=1). It is also cleared when the interface is disabled (PE=0).

- 0: Slave mode
- 1: Master mode

**0 SB** *Start bit (Master mode).*

This bit is set by hardware as soon as the Start condition is generated (following a write START=1). An interrupt is generated if ITE=1. It is cleared by software reading SR1 register followed by writing the address byte in DR register. It is also cleared by hardware when the interface is disabled (PE=0).

- 0: No Start condition
- 1: Start condition generated



**I<sup>2</sup>C Status register 2 (SR2)**

Reset value: 0000 0000 (00h)

7							0
0	0	0	AF	STOPF	ARLO	BERR	GCAL
Read only							

[7:5] Reserved. Forced to 0 by hardware.

4 **AF** *Acknowledge failure.*

This bit is set by hardware when no acknowledge is returned. An interrupt is generated if ITE=1. It is cleared by software reading SR2 register or by hardware when the interface is disabled (PE=0).

0: No acknowledge failure

1: Acknowledge failure

*Note: While AF=1, the SCL line may be held low due to SB or BTF flags that are set at the same time. It is then necessary to release both lines by software.*

3 **STOPF** *Stop detection (Slave mode).*

This bit is set by hardware when a Stop condition is detected on the bus after an acknowledge (if ACK=1). An interrupt is generated if ITE=1. It is cleared by software reading SR2 register or by hardware when the interface is disabled (PE=0).

The SCL line is not held low while STOPF=1.

0: No Stop condition detected

1: Stop condition detected

**2 ARLO Arbitration lost.**

This bit is set by hardware when the interface loses the arbitration of the bus to another master. An interrupt is generated if ITE=1. It is cleared by software reading SR2 register or by hardware when the interface is disabled (PE=0).

After an ARLO event the interface switches back automatically to Slave mode (M/SL=0).

The SCL line is not held low while ARLO=1.

0: No arbitration lost detected

1: Arbitration lost detected

*Note: In a Multimaster environment, when the interface is configured in Master Receive mode it does not perform arbitration during the reception of the Acknowledge Bit. Mishandling of the ARLO bit from the I2CSR2 register may occur when a second master simultaneously requests the same data from the same slave and the I<sup>2</sup>C master does not acknowledge the data. The ARLO bit is then left at 0 instead of being set.*

**1 BERR Bus error.**

This bit is set by hardware when the interface detects a misplaced Start or Stop condition. An interrupt is generated if ITE=1. It is cleared by software reading SR2 register or by hardware when the interface is disabled (PE=0).

The SCL line is not held low while BERR=1.

0: No misplaced Start or Stop condition

1: Misplaced Start or Stop condition

*Note: If a Bus Error occurs, a Stop or a repeated Start condition should be generated by the Master to re-synchronize communication, get the transmission acknowledged and the bus released for further communication*

**0 GCAL General Call (Slave mode).**

This bit is set by hardware when a general call address is detected on the bus while ENGC=1. It is cleared by hardware detecting a Stop condition (STOPF=1) or when the interface is disabled (PE=0).

0: No general call address detected on bus

1: general call address detected on bus

**I<sup>2</sup>C Clock Control register (CCR)**

Reset value: 0000 0000 (00h)

7							0
FM/SM	CC6	CC5	CC4	CC3	CC2	CC1	CC0
Read/write							

**7 FM/SM Fast/Standard I<sup>2</sup>C mode.**

This bit is set and cleared by software. It is not cleared when the interface is disabled (PE=0).

0: Standard I<sup>2</sup>C mode

1: Fast I<sup>2</sup>C mode

**[6:0] CC[6:0] 7-bit clock divider.**

These bits select the speed of the bus (F<sub>SCL</sub>) depending on the I<sup>2</sup>C mode. They are not cleared when the interface is disabled (PE=0).

Refer to the Electrical Characteristics section for the table of value.

*Note: The programmed F<sub>SCL</sub> assumes no load on SCL and SDA lines.*

**I<sup>2</sup>C Data register (DR)**

These bits contain the byte to be received or transmitted on the bus.

- Transmitter mode: byte transmission start automatically when the software writes in the DR register.
- Receiver mode: the first data byte is received automatically in the DR register using the least significant bit of the address. The following data bytes are then received one by one after reading the DR register.

Reset value: 0000 0000 (00h)

7							0
D7	D6	D5	D4	D3	D2	D1	D0
Read/write							

**I<sup>2</sup>C Own Address register (OAR)**

Reset value: 0000 0000 (00h)

7							0
ADD7	ADD6	ADD5	ADD4	ADD3	ADD2	ADD1	ADD0
Read/write							

**[7:1] ADD[7:1] Interface address.**

These bits define the I<sup>2</sup>C bus address of the interface. They are not cleared when the interface is disabled (PE=0).

**0 ADD0 Address direction bit.**

This bit is don't care, the interface acknowledges either 0 or 1. It is not cleared when the interface is disabled (PE=0).

*Note: Address 01h is always ignored.*

**Table 43. I<sup>2</sup>C register map**

Address (Hex.)	Register name	7	6	5	4	3	2	1	0
39	DR	DR7 .. DR0							
3B	OAR	ADD7 .. ADD0							
3C	CCR	FM/SM	CC6 .. CC0						
3D	SR2				AF	STOPF	ARLO	BERR	GCAL
3E	SR1	EVF		TRA	BUSY	BTF	ADSL	M/SL	SB
3F	CR			PE	ENGC	START	ACK	STOP	ITE

**Note:** Refer to [Section 16: Known limitations](#) for information regarding a limitation on the alternate function on pin PA2 (SCL).

## 11.6 8-bit A/D converter (ADC)

### 11.6.1 Introduction

The on-chip Analog to Digital Converter (ADC) peripheral is a 8-bit, successive approximation converter with internal sample and hold circuitry. This peripheral has up to 16 multiplexed analog input channels (refer to device pin out description) that allow the peripheral to convert the analog voltage levels from up to 16 different sources.

The result of the conversion is stored in a 8-bit Data register. The A/D converter is controlled through a Control/Status register.

### 11.6.2 Main features

- 8-bit conversion
- Up to 12 channels with multiplexed input
- Linear successive approximation
- Data register (DR) which contains the results
- Conversion complete status flag
- On/off bit (to reduce consumption)

The block diagram is shown in [Figure 50](#).

### 11.6.3 Functional description

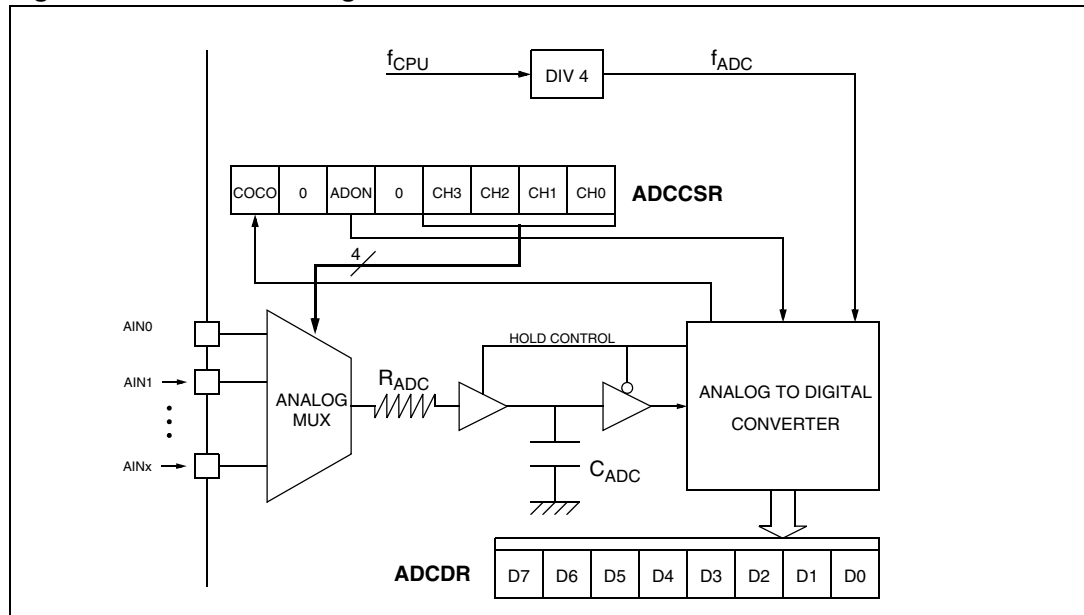
#### Analog power supply

$V_{DDA}$  and  $V_{SSA}$  are the high and low level reference voltage pins. In some devices (refer to device pin out description) they are internally connected to the  $V_{DD}$  and  $V_{SS}$  pins.

Conversion accuracy may therefore be impacted by voltage drops and noise in the event of heavily loaded or badly decoupled power supply lines.

See electrical characteristics section for more details.

Figure 50. ADC block diagram



### Digital A/D conversion result

The conversion is monotonic, meaning that the result never decreases if the analog input does not and never increases if the analog input does not.

If the input voltage ( $V_{AIN}$ ) is greater than or equal to  $V_{DDA}$  (high-level voltage reference) then the conversion result in the DR register is FFh (full scale) without overflow indication.

If input voltage ( $V_{AIN}$ ) is lower than or equal to  $V_{SSA}$  (low-level voltage reference) then the conversion result in the DR register is 00h.

The A/D converter is linear and the digital result of the conversion is stored in the ADCDR register. The accuracy of the conversion is described in the parametric section.

$R_{AIN}$  is the maximum recommended impedance for an analog input signal. If the impedance is too high, this will result in a loss of accuracy due to leakage and sampling not being completed in the allotted time.

### A/D conversion phases

The A/D conversion is based on two conversion phases as shown in [Figure 51](#):

- Sample capacitor loading [duration:  $t_{LOAD}$ ]  
During this phase, the  $V_{AIN}$  input voltage to be measured is loaded into the  $C_{ADC}$  sample capacitor.
- A/D conversion [duration:  $t_{CONV}$ ]  
During this phase, the A/D conversion is computed (8 successive approximations cycles) and the  $C_{ADC}$  sample capacitor is disconnected from the analog input pin to get the optimum analog to digital conversion accuracy.

While the ADC is on, these two phases are continuously repeated.

At the end of each conversion, the sample capacitor is kept loaded with the previous measurement load. The advantage of this behavior is that it minimizes the current consumption on the analog pin in case of single input channel measurement.

**Software procedure**

Refer to the control/status register (CSR) and data register (DR) in [Section 11.6.6](#) for the bit definitions and to [Figure 51](#) for the timings.

**ADC configuration**

The total duration of the A/D conversion is 12 ADC clock periods ( $1/f_{ADC}=4/f_{CPU}$ ).

The analog input ports must be configured as input, no pull-up, no interrupt. Refer to the «I/O ports» chapter. Using these pins as analog inputs does not affect the ability of the port to be read as a logic input.

In the CSR register:

- Select the CH[3:0] bits to assign the analog channel to be converted.

**ADC conversion**

In the CSR register:

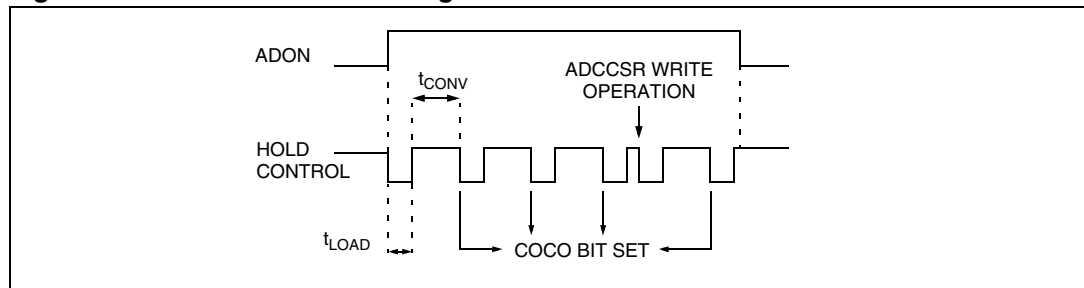
- Set the ADON bit to enable the A/D converter and to start the first conversion. From this time on, the ADC performs a continuous conversion of the selected channel.

When a conversion is complete:

- The COCO bit is set by hardware.
- No interrupt is generated.
- The result is in the DR register and remains valid until the next conversion has ended.

A write to the CSR register (with ADON set) aborts the current conversion, resets the COCO bit and starts a new conversion.

**Figure 51. ADC conversion timings**



**11.6.4 Low power modes**

**Table 44. Low power modes**

Mode	Description
WAIT	No effect on A/D Converter
HALT	A/D Converter disabled. After wakeup from Halt mode, the A/D Converter requires a stabilization time before accurate conversions can be performed.

*Note:* The A/D converter may be disabled by resetting the ADON bit. This feature allows reduced power consumption when no conversion is needed and between single shot conversions.

### 11.6.5 Interrupts

None

### 11.6.6 Register description

#### Control/Status register (CSR)

Reset value: 0000 0000 (00h)

7							0
COCO	0	ADON	0	CH3	CH2	CH1	CH0
Read/write							

**7 COCO Conversion Complete**

This bit is set by hardware. It is cleared by software reading the result in the DR register or writing to the CSR register.

0: Conversion is not complete

1: Conversion can be read from the DR register

6 Reserved. must always be cleared.

**5 ADON A/D Converter On**

This bit is set and cleared by software.

0: A/D converter is switched off

1: A/D converter is switched on

4 Reserved. must always be cleared.

**[3:0] CH[3:0] Channel Selection**

These bits are set and cleared by software. They select the analog input to convert (see [Table 45](#)).

**Table 45. Channel selection**

Channel pin <sup>(1)</sup>	CH3 <sup>(2)</sup>	CH2	CH1	CH0
AIN0	0	0	0	0
AIN1	0	0	0	1
AIN2	0	0	1	0
AIN3	0	0	1	1
AIN4	0	1	0	0
AIN5	0	1	0	1
AIN6	0	1	1	0
AIN7	0	1	1	1
AIN8	1	0	0	0
AIN9	1	0	0	1
AIN10	1	0	1	0
AIN11	1	0	1	1

1. The number of pins AND the channel selection varies according to the device. Refer to the device pinout.



- For SDIP/SO34 devices, the CH3 bit is always at '0'. If, however, set to '1' on error, channel (11:8) becomes enabled which may result in a higher and unnecessary level of consumption.

**Data register (DR)**

This register contains the converted analog value in the range 00h to FFh.

Reset value: 0000 0000 (00h)

7								0
D7	D6	D5	D4	D3	D2	D1	D0	
Read only								

*Note:* Reading this register reset the COCO flag.

**Table 46. ADC register map**

Address (Hex.)	Register name	7	6	5	4	3	2	1	0
0Ah	DR	AD7 .. AD0							
0Bh	CSR	COCO	0	ADON	0	CH3	CH2	CH1	CH0

## 12 Instruction set

### 12.1 ST7 addressing modes

The ST7 Core features 17 different addressing modes which can be classified in 7 main groups:

**Table 47. Addressing modes**

Addressing mode	Example
Inherent	nop
Immediate	ld A,#\$55
Direct	ld A,\$55
Indexed	ld A,(\$55,X)
Indirect	ld A,[\$55],X)
Relative	jrne loop
Bit operation	bset byte,#5

The ST7 Instruction set is designed to minimize the number of bytes required per instruction: To do so, most of the addressing modes may be subdivided in two sub-modes called long and short:

- Long addressing mode is more powerful because it can use the full 64 Kbyte address space, however it uses more bytes and more CPU cycles.
- Short addressing mode is less powerful because it can generally only access page zero (0000h - 00FFh range), but the instruction size is more compact, and faster. All memory to memory instructions use short addressing modes only (CLR, CPL, NEG, BSET, BRES, BTJT, BTJF, INC, DEC, RLC, RRC, SLL, SRL, SRA, SWAP)

The ST7 Assembler optimizes the use of long and short addressing modes.

**Table 48. ST7 addressing mode overview**

Mode		Syntax	Destination/ source	Pointer address	Pointer size (Hex.)	Length (bytes)	
Inherent		nop				+ 0	
Immediate		ld A,#\$55				+ 1	
Short	Direct	ld A,\$10	00..FF			+ 1	
Long	Direct	ld A,\$1000	0000..FFFF			+ 2	
No Offset	Direct	Indexed	ld A,(X)	00..FF		+ 0 (with X register) + 1 (with Y register)	
Short	Direct	Indexed	ld A,(\$10,X)	00..1FE		+ 1	
Long	Direct	Indexed	ld A,(\$1000,X)	0000..FFFF		+ 2	
Short	Indirect		ld A,[\$10]	00..FF	00..FF	byte	+ 2

Table 48. ST7 addressing mode overview (continued)

Mode		Syntax	Destination/ source	Pointer address	Pointer size (Hex.)	Length (bytes)
Long	Indirect		ld A,[\$10.w]	0000..FFFF	00..FF	word + 2
Short	Indirect	Indexed	ld A,([\$10],X)	00..1FE	00..FF	byte + 2
Long	Indirect	Indexed	ld A,([\$10.w],X)	0000..FFFF	00..FF	word + 2
Relative	Direct		jrne loop	PC- 128/PC+127 <sup>(1)</sup>		+ 1
Relative	Indirect		jrne [\$10]	PC- 128/PC+127 <sup>(1)</sup>	00..FF	byte + 2
Bit	Direct		bset \$10,#7	00..FF		+ 1
Bit	Indirect		bset [\$10],#7	00..FF	00..FF	byte + 2
Bit	Direct	Relative	btjt \$10,#7,skip	00..FF		+ 2
Bit	Indirect	Relative	btjt [\$10],#7,skip	00..FF	00..FF	byte + 3

1. At the time the instruction is executed, the Program Counter (PC) points to the instruction following JRxx.

### 12.1.1 Inherent

All Inherent instructions consist of a single byte. The opcode fully specifies all the required information for the CPU to process the operation.

Table 49. Inherent instructions

Inherent instruction	Function
NOP	No operation
TRAP	S/W interrupt
WFI	Wait For Interrupt (Low Power mode)
HALT	Halt Oscillator (Lowest Power mode)
RET	Sub-routine Return
IRET	Interrupt Sub-routine Return
SIM	Set Interrupt Mask
RIM	Reset Interrupt Mask
SCF	Set Carry Flag
RCF	Reset Carry Flag
RSP	Reset Stack Pointer
LD	Load
CLR	Clear
PUSH/POP	Push/Pop to/from the stack
INC/DEC	Increment/Decrement
TNZ	Test Negative or Zero

**Table 49. Inherent instructions (continued)**

Inherent instruction	Function
CPL, NEG	1 or 2 Complement
MUL	Byte Multiplication
SLL, SRL, SRA, RLC, RRC	Shift and Rotate Operations
SWAP	Swap Nibbles

### 12.1.2 Immediate instructions

Immediate instructions have two bytes, the first byte contains the opcode, the second byte contains the operand value.

**Table 50. Immediate instructions**

Immediate instruction	Function
LD	Load
CP	Compare
BCP	Bit Compare
AND, OR, XOR	Logical Operations
ADC, ADD, SUB, SBC	Arithmetic Operations

### 12.1.3 Direct

In Direct instructions, the operands are referenced by their memory address.

The direct addressing mode consists of two sub-modes:

#### Direct (short)

The address is a byte, thus requires only one byte after the opcode, but only allows 00 - FF addressing space.

#### Direct (long)

The address is a word, thus allowing 64 Kbyte addressing space, but requires 2 bytes after the opcode.

### 12.1.4 Indexed (No Offset, Short, Long)

In this mode, the operand is referenced by its memory address, which is defined by the unsigned addition of an index register (X or Y) with an offset.

The indirect addressing mode consists of three sub-modes:

#### Indexed (No Offset)

There is no offset, (no extra byte after the opcode), and allows 00 - FF addressing space.

**Indexed (Short)**

The offset is a byte, thus requires only one byte after the opcode and allows 00 - 1FE addressing space.

**Indexed (long)**

The offset is a word, thus allowing 64 Kbyte addressing space and requires 2 bytes after the opcode.

**12.1.5 Indirect (Short, Long)**

The required data byte to do the operation is found by its memory address, located in memory (pointer).

The pointer address follows the opcode. The indirect addressing mode consists of two sub-modes:

**Indirect (short)**

The pointer address is a byte, the pointer size is a byte, thus allowing 00 - FF addressing space, and requires 1 byte after the opcode.

**Indirect (long)**

The pointer address is a byte, the pointer size is a word, thus allowing 64 Kbyte addressing space, and requires 1 byte after the opcode.

**12.1.6 Indirect Indexed (Short, Long)**

This is a combination of indirect and short indexed addressing modes. The operand is referenced by its memory address, which is defined by the unsigned addition of an index register value (X or Y) with a pointer value located in memory. The pointer address follows the opcode.

The indirect indexed addressing mode consists of two sub-modes:

**Indirect Indexed (Short)**

The pointer address is a byte, the pointer size is a byte, thus allowing 00 - 1FE addressing space, and requires 1 byte after the opcode.

**Indirect Indexed (Long)**

The pointer address is a byte, the pointer size is a word, thus allowing 64 Kbyte addressing space, and requires 1 byte after the opcode.

**Table 51. Instructions supporting Direct, Indexed, Indirect and Indirect Indexed addressing modes**

Long and Short instructions	Function
LD	Load
CP	Compare
AND, OR, XOR	Logical Operations
ADC, ADD, SUB, SBC	Arithmetic Addition/subtraction operations

**Table 51. Instructions supporting Direct, Indexed, Indirect and Indirect Indexed addressing modes (continued)**

Long and Short instructions	Function
BCP	Bit Compare
Short Instructions only	Function
CLR	Clear
INC, DEC	Increment/Decrement
TNZ	Test Negative or Zero
CPL, NEG	1 or 2 Complement
BSET, BRES	Bit Operations
BTJT, BTJF	Bit Test and Jump Operations
SLL, SRL, SRA, RLC, RRC	Shift and Rotate Operations
SWAP	Swap Nibbles
CALL, JP	Call or Jump subroutine

### 12.1.7 Relative mode (Direct, Indirect)

This addressing mode is used to modify the PC register value by adding an 8-bit signed offset to it.

**Table 52. Instructions supporting relative addressing mode**

Available relative direct/Indirect instructions	Function
JRxx	Conditional Jump
CALLR	Call Relative

The relative addressing mode consists of two sub-modes:

#### Relative (Direct)

The offset follows the opcode.

#### Relative (Indirect)

The offset is defined in memory, of which the address follows the opcode.

## 12.2 Instruction groups

The ST7 family devices use an Instruction Set consisting of 63 instructions. The instructions may be subdivided into 13 main groups as illustrated in the following table:

**Table 53. Instruction groups**

Load and Transfer	LD	CLR						
Stack operation	PUSH	POP	RSP					
Increment/Decrement	INC	DEC						
Compare and Tests	CP	TNZ	BCP					
Logical operations	AND	OR	XOR	CPL	NEG			
Bit Operation	BSET	BRES						
Conditional Bit Test and Branch	BTJT	BTJF						
Arithmetic operations	ADC	ADD	SUB	SBC	MUL			
Shift and Rotates	SLL	SRL	SRA	RLC	RRC	SWAP	SLA	
Unconditional Jump or Call	JRA	JRT	JRF	JP	CALL	CALLR	NOP	RET
Conditional Branch	JRxx							
Interrupt management	TRAP	WFI	HALT	IRET				
Condition Code Flag modification	SIM	RIM	SCF	RCF				

### Using a pre-byte

The instructions are described with one to four bytes.

In order to extend the number of available opcodes for an 8-bit CPU (256 opcodes), three different prebyte opcodes are defined. These prebytes modify the meaning of the instruction they precede.

The whole instruction becomes:

PC-2End of previous instruction

PC-1Prebyte

PCOpcode

PC+1Additional word (0 to 2) according to the number of bytes required to compute the effective address

These prebytes enable instruction in Y as well as indirect addressing modes to be implemented. They precede the opcode of the instruction in X or the instruction using direct addressing mode. The prebytes are:

PDY 90Replace an X based instruction using immediate, direct, indexed, or inherent addressing mode by a Y one.

PIX 92Replace an instruction using direct, direct bit, or direct relative addressing mode to an instruction using the corresponding indirect addressing mode.

It also changes an instruction using X indexed addressing mode to an instruction using indirect X indexed addressing mode.

PIY 91Replace an instruction using X indirect indexed addressing mode by a Y one.

**Table 54. Instructions**

Mnemo	Description	Function/example	Dst	Src	H	I	N	Z	C
ADC	Add with Carry	$A = A + M + C$	A	M	H		N	Z	C
ADD	Addition	$A = A + M$	A	M	H		N	Z	C
AND	Logical And	$A = A \cdot M$	A	M			N	Z	
BCP	Bit compare A, Memory	tst (A . M)	A	M			N	Z	
BRES	Bit Reset	bres Byte, #3	M						
BSET	Bit Set	bset Byte, #3	M						
BTJF	Jump if bit is false (0)	btjf Byte, #3, Jmp1	M						C
BTJT	Jump if bit is true (1)	btjt Byte, #3, Jmp1	M						C
CALL	Call subroutine								
CALLR	Call subroutine relative								
CLR	Clear		reg, M				0	1	
CP	Arithmetic Compare	tst(Reg - M)	reg	M			N	Z	C
CPL	One Complement	$A = FFH - A$	reg, M				N	Z	1
DEC	Decrement	dec Y	reg, M				N	Z	
HALT	Halt					0			
IRET	Interrupt routine return	Pop CC, A, X, PC			H	I	N	Z	C
INC	Increment	inc X	reg, M				N	Z	
JP	Absolute Jump	jp [TBL.w]							
JRA	Jump relative always								
JRT	Jump relative								
JRF	Never jump	jrf *							
JRIH	Jump if ext. interrupt = 1								
JRIL	Jump if ext. interrupt = 0								
JRH	Jump if H = 1	H = 1 ?							
JRNH	Jump if H = 0	H = 0 ?							
JRM	Jump if I = 1	I = 1 ?							
JRNM	Jump if I = 0	I = 0 ?							
JRMI	Jump if N = 1 (minus)	N = 1 ?							
JRPL	Jump if N = 0 (plus)	N = 0 ?							
JREQ	Jump if Z = 1 (equal)	Z = 1 ?							
JRNE	Jump if Z = 0 (not equal)	Z = 0 ?							
JRC	Jump if C = 1	C = 1 ?							
JRNC	Jump if C = 0	C = 0 ?							
JRULT	Jump if C = 1	Unsigned <							
JRUGE	Jump if C = 0	Jmp if unsigned >=							



Table 54. Instructions (continued)

Mnemo	Description	Function/example	Dst	Src	H	I	N	Z	C	
JRUGT	Jump if (C + Z = 0)	Unsigned >								
JRULE	Jump if (C + Z = 1)	Unsigned <=								
LD	Load	dst <= src	reg, M	M, reg			N	Z		
MUL	Multiply	X,A = X * A	A, X, Y	X, Y, A	0				0	
NEG	Negate (2's compl)	neg \$10	reg, M				N	Z	C	
NOP	No Operation									
OR	OR operation	A = A + M	A	M			N	Z		
POP	Pop from the Stack	pop reg pop CC	reg CC	M M		H	I	N	Z	C
PUSH	Push onto the Stack	push Y	M	reg, CC						
RCF	Reset carry flag	C = 0							0	
RET	Subroutine Return									
RIM	Enable Interrupts	I = 0				0				
RLC	Rotate left true C	C <= Dst <= C	reg, M				N	Z	C	
RRC	Rotate right true C	C => Dst => C	reg, M				N	Z	C	
RSP	Reset Stack Pointer	S = Max allowed								
SBC	Subtract with Carry	A = A - M - C	A	M			N	Z	C	
SCF	Set carry flag	C = 1							1	
SIM	Disable Interrupts	I = 1				1				
SLA	Shift left Arithmetic	C <= Dst <= 0	reg, M				N	Z	C	
SLL	Shift left Logic	C <= Dst <= 0	reg, M				N	Z	C	
SRL	Shift right Logic	0 => Dst => C	reg, M				0	Z	C	
SRA	Shift right Arithmetic	Dst7 => Dst => C	reg, M				N	Z	C	
SUB	Subtraction	A = A - M	A	M			N	Z	C	
SWAP	SWAP nibbles	Dst[7..4] <=> Dst[3..0]	reg, M				N	Z		
TNZ	Test for Neg & Zero	tnz lbl1					N	Z		
TRAP	S/W trap	S/W interrupt				1				
WFI	Wait for Interrupt					0				
XOR	Exclusive OR	A = A XOR M	A	M			N	Z		

## 13 Electrical characteristics

### 13.1 Parameter conditions

Unless otherwise specified, all voltages are referred to  $V_{SS}$ .

#### 13.1.1 Minimum and maximum values

Unless otherwise specified the minimum and maximum values are guaranteed in the worst conditions of ambient temperature, supply voltage and frequencies by tests in production on 100% of the devices with an ambient temperature at  $T_A=25\text{ °C}$  and  $T_A=T_{Amax}$  (given by the selected temperature range).

Data based on characterization results, design simulation and/or technology characteristics are indicated in the table footnotes and are not tested in production. Based on characterization, the minimum and maximum values refer to sample tests and represent the mean value plus or minus three times the standard deviation ( $\text{mean} \pm 3\sigma$ ).

#### 13.1.2 Typical values

Unless otherwise specified, typical data are based on  $T_A=25\text{ °C}$ ,  $V_{DD}=5\text{ V}$ . They are given only as design guidelines and are not tested.

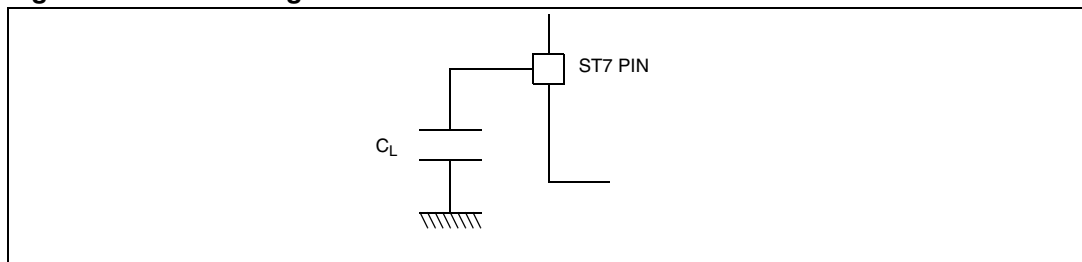
#### 13.1.3 Typical curves

Unless otherwise specified, all typical curves are given only as design guidelines and are not tested.

#### 13.1.4 Loading capacitor

The loading conditions used for pin parameter measurement are shown in [Figure 52](#).

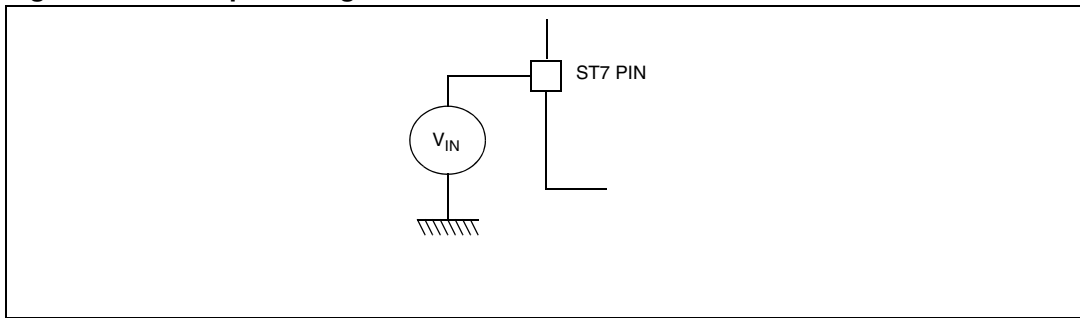
**Figure 52. Pin loading conditions**



#### 13.1.5 Pin input voltage

The input voltage measurement on a pin of the device is described in [Figure 53](#).

Figure 53. Pin input voltage



### 13.2 Absolute maximum ratings

Stresses above those listed as “absolute maximum ratings” may cause permanent damage to the device. This is a stress rating only and functional operation of the device under these conditions is not implied. Exposure to maximum rating conditions for extended periods may affect device reliability.

*Note:* Directly connecting the  $\overline{RESET}$  and I/O pins to  $V_{DD}$  or  $V_{SS}$  could damage the device if an unintentional internal reset is generated or an unexpected change of the I/O configuration occurs (for example, due to a corrupted program counter). To guarantee safe operation, this connection has to be done through a pull-up or pull-down resistor (typical: 4.7 k $\Omega$  for  $\overline{RESET}$ , 10 k $\Omega$  for I/Os). Unused I/O pins must be tied in the same way to  $V_{DD}$  or  $V_{SS}$  according to their reset configuration.

Table 55. Voltage characteristics

Symbol	Ratings	Maximum value	Unit
$V_{DD} - V_{SS}$	Supply voltage	6.0	V
$V_{IN}^{(1)(2)}$	Input voltage on true open drain pins	$V_{SS}-0.3$ to 6.0	
	Input voltage on any other pin	$V_{SS}-0.3$ to $V_{DD}+0.3$	
$V_{ESD(HBM)}$	Electrostatic discharge voltage (Human Body model)	<a href="#">Section 13.7.3</a>	

1. Directly connecting the RESET and I/O pins to  $V_{DD}$  or  $V_{SS}$  could damage the device if an unintentional internal reset is generated or an unexpected change of the I/O configuration occurs (for example, due to a corrupted program counter). To guarantee safe operation, this connection has to be done through a pull-up or pull-down resistor (typical: 4.7 k $\Omega$  for RESET, 10 k $\Omega$  for I/Os). Unused I/O pins must be tied in the same way to  $V_{DD}$  or  $V_{SS}$  according to their reset configuration.
2.  $I_{INJ(PIN)}$  must never be exceeded. This is implicitly insured if  $V_{IN}$  maximum is respected. If  $V_{IN}$  maximum cannot be respected, the injection current must be limited externally to the  $I_{INJ(PIN)}$  value. A positive injection is induced by  $V_{IN} > V_{DD}$  while a negative injection is induced by  $V_{IN} < V_{SS}$ . For true open-drain pads, there is no positive injection current, and the corresponding  $V_{IN}$  maximum must always be respected.

**Table 56. Current characteristics**

Symbol	Ratings	Maximum value	Unit
$I_{VDD}$	Total current into $V_{DD}$ power lines (source) <sup>(1)</sup>	80	mA
$I_{VSS}$	Total current out of $V_{SS}$ ground lines (sink) <sup>(1)</sup>	80	
$I_{IO}$	Output current sunk by any standard I/O and control pin	25	
	Output current sunk by any high sink I/O pin	50	
	Output current source by any I/Os and control pin	- 25	
$I_{INJ(PIN)}^{(2)(3)}$	Injected current on $V_{PP}$ pin	$\pm 5$	
	Injected current on $\overline{RESET}$ pin	$\pm 5$	
	Injected current on OSCIN and OSCOUT pins	$\pm 5$	
	Injected current on any other pin <sup>(4)(5)</sup>	$\pm 5$	
$\Sigma I_{INJ(PIN)}^{(2)}$	Total injected current (sum of all I/O and control pins) <sup>(4)</sup>	$\pm 20$	
$I_{INJ(PIN)}^{(2)(3)}$	Negative injected current to PB0 (10 mA)/AIN0 pin	- 80	$\mu A$

1. All power ( $V_{DD}$ ) and ground ( $V_{SS}$ ) lines must be connected to the external supply.
2.  $I_{INJ(PIN)}$  must never be exceeded. This is implicitly insured if  $V_{IN}$  maximum is respected. If  $V_{IN}$  maximum cannot be respected, the injection current must be limited externally to the  $I_{INJ(PIN)}$  value. A positive injection is induced by  $V_{IN} > V_{DD}$  while a negative injection is induced by  $V_{IN} < V_{SS}$ . For true open-drain pads, there is no positive injection current, and the corresponding  $V_{IN}$  maximum must always be respected.
3. Negative injection disturbs the analog performance of the device. In particular, it induces leakage currents throughout the device including the analog inputs. To avoid undesirable effects on the analog functions, care must be taken:
  - Analog input pins must have a negative injection less than 0.8 mA (assuming that the impedance of the analog voltage is lower than the specified limits)
  - Pure digital pins must have a negative injection less than 1.6mA. In addition, it is recommended to inject the current as far as possible from the analog input pins.
4. When several inputs are submitted to a current injection, the maximum  $\Sigma I_{INJ(PIN)}$  is the absolute sum of the positive and negative injected currents (instantaneous values). These results are based on characterization with  $\Sigma I_{INJ(PIN)}$  maximum current injection on four I/O port pins of the device.
5. True open drain I/O port pins do not accept positive injection.

**Table 57. Thermal characteristics**

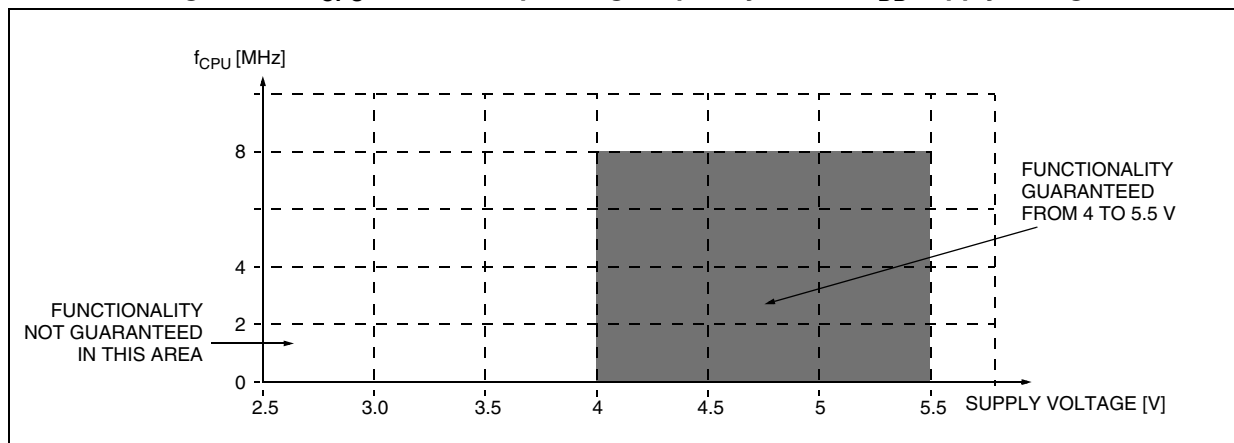
Symbol	Ratings	Value	Unit
$T_{STG}$	Storage temperature range	-65 to +150	$^{\circ}C$
$T_J$	Maximum junction temperature	See <a href="#">Section 14.2: Thermal characteristics</a> for $T_{Jmax}$	

### 13.3 Operating conditions

**Table 58. General operating conditions**

Symbol	Parameter	Conditions	Min	Typ	Max	Unit
V <sub>DD</sub>	Operating Supply Voltage	f <sub>CPU</sub> = 8 MHz	4	5	5.5	V
V <sub>DDA</sub>	Analog reference voltage		V <sub>DD</sub>	-	V <sub>DD</sub>	
V <sub>SSA</sub>	Analog reference voltage		V <sub>SS</sub>	-	V <sub>SS</sub>	
f <sub>CPU</sub>	Operating frequency	f <sub>OSC</sub> = 24 MHz	-	-	8	MHz
		f <sub>OSC</sub> = 12 MHz	-	-	4	
T <sub>A</sub>	Ambient temperature range		0	-	70	°C

**Figure 54. f<sub>CPU</sub> maximum operating frequency versus V<sub>DD</sub> supply voltage**



#### 13.3.1 Operating conditions with low voltage detector (LVD)

Subject to general operating conditions for V<sub>DD</sub>, f<sub>CPU</sub>, and T<sub>A</sub>. Refer to [Figure 12 on page 33](#).

**Table 59. Operating conditions with LVD**

Symbol	Parameter	Conditions	Min	Typ	Max	Unit
V <sub>IT+</sub>	Low voltage reset threshold (V <sub>DD</sub> rising)	V <sub>DD</sub> max. variation 50 V/ms	3.4	3.7	4.0	V
V <sub>IT-</sub>	Low voltage reset threshold (V <sub>DD</sub> falling)	V <sub>DD</sub> max. variation 50V/ms	3.2	3.5	3.8	V
V <sub>hyst</sub>	Hysteresis (V <sub>IT+</sub> - V <sub>IT-</sub> ) <sup>(1)</sup>		100	175	220	mV
Vt <sub>POR</sub>	V <sub>DD</sub> rise time rate <sup>(2)</sup>		0.5	-	50	V/ms

1. Guaranteed by characterization - not tested in production.
2. The V<sub>DD</sub> rise time rate condition is needed to insure a correct device power-on and LVD reset. Not tested in production.

### 13.4 Supply current characteristics

The following current consumption specified for the ST7 functional operating modes over temperature range does not take into account the clock source current consumption. To get the total device consumption, the two current values must be added (except for Halt mode for which the clock is stopped).

**Table 60. Supply current characteristics**

Symbol	Parameter	Conditions	Typ	Max	Unit	
$\Delta I_{DD(\Delta T_a)}$	Supply current variation vs. temperature	Constant $V_{DD}$ and $f_{CPU}$	-	$10^{(1)}$	%	
$I_{DD}$	CPU Run mode	I/Os in input mode	$f_{CPU} = 4 \text{ MHz}$	7.5	$9^{(2)(1)}$	mA
			$f_{CPU} = 8 \text{ MHz}$	10.5	$13^{(2)}$	
	CPU Wait mode		$f_{CPU} = 4 \text{ MHz}$	6	$8^{(1)}$	mA
			$f_{CPU} = 8 \text{ MHz}$	8.5	$11^{(2)}$	
	CPU Halt mode <sup>(3)</sup>	LVD disabled	25	$40^{(1)}$	$\mu\text{A}$	
USB Suspend mode <sup>(4)</sup>	LVD disabled	100	120	$\mu\text{A}$		
	LVD enabled	230	-			

1. Not tested in production, guaranteed by characterization.
2. Oscillator and watchdog running. All others peripherals disabled.
3. USB Transceiver and ADC are powered down.
4. CPU in Halt mode. Current consumption of external pull-up (1.5Kohms to USBVCC) and pull-down (15Kohms to  $V_{SSA}$ ) not included.

**Figure 55. Typ.  $I_{DD}$  in Run at  $f_{CPU} = 4$  and 8 MHz**

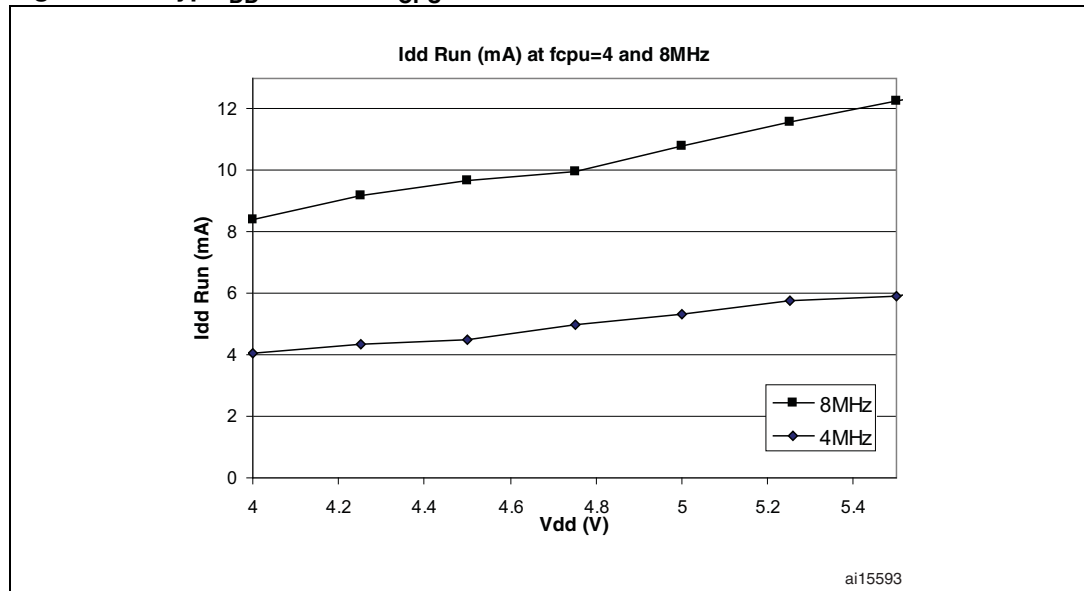
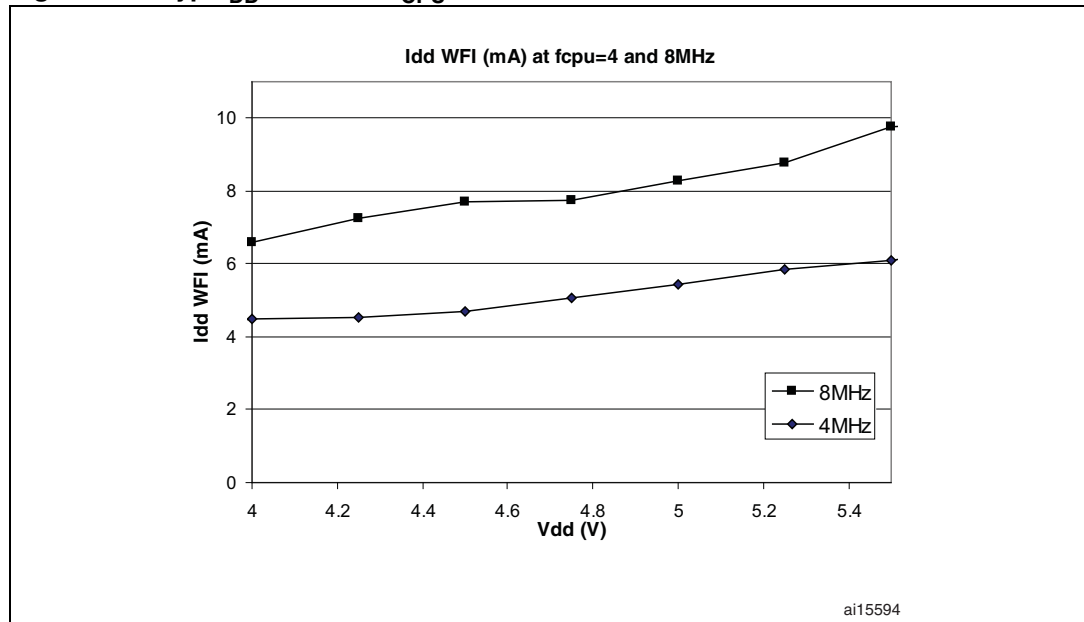


Figure 56. Typ. I<sub>DD</sub> in Wait at f<sub>CPU</sub>= 4 and 8 MHz



### 13.5 Clock and timing characteristics

Subject to general operating conditions for V<sub>DD</sub>, f<sub>CPU</sub>, and T<sub>A</sub>.

Table 61. General timings

Symbol	Parameter	Conditions	Min	Typ <sup>(1)</sup>	Max	Unit
t <sub>c(INST)</sub>	Instruction cycle time	f <sub>CPU</sub> =8 MHz	2	3	12	t <sub>CPU</sub>
			250	375	1500	ns
t <sub>v(IT)</sub>	Interrupt reaction time <sup>(2)</sup> t <sub>v(IT)</sub> = Δt <sub>c(INST)</sub> + 10 t <sub>CPU</sub>	f <sub>CPU</sub> =8 MHz	10	-	22	t <sub>CPU</sub>
			1.25	-	2.75	μs

1. Data based on typical application software.
2. Time measured between interrupt event and interrupt vector fetch. Δt<sub>c(INST)</sub> is the number of t<sub>CPU</sub> cycles needed to finish the current instruction execution.

Table 62. Control timing characteristics

Symbol	Parameter	Conditions	Value			Unit
			Min	Typ.	Max	
f <sub>OSC</sub>	Oscillator frequency		-	-	24	MHz
f <sub>CPU</sub>	Operating frequency		-	-	8	MHz
t <sub>RL</sub>	External reset input pulse width		2520	-	-	ns
t <sub>PORL</sub>	Internal power reset duration		4096	-	-	t <sub>CPU</sub>
t <sub>WDGL</sub>	Watchdog or low voltage reset output pulse width		200	300	-	ns

**Table 62. Control timing characteristics**

$t_{WDG}$	Watchdog timeout	$f_{CPU} = 8MHz$	49152	-	3145728	$t_{CPU}$
			6.144	-	393.216	ms
$t_{OXOV}$	Crystal oscillator startup time		20 <sup>(1)</sup>	30	40 <sup>(1)</sup>	ms
$t_{DDR}$	Power up rise time	from $V_{DD} = 0$ to 4 V	-	-	100 <sup>(1)</sup>	ms

1. Not tested in production, guaranteed by characterization.

**Table 63. External clock source**

Symbol	Parameter	Conditions	Min	Typ	Max	Unit
$V_{OSCINH}$	OSCIN input pin high level voltage	see <a href="#">Figure 57</a>	$0.7 \times V_{DD}$	-	$V_{DD}$	V
$V_{OSCINL}$	OSCIN input pin low level voltage		$V_{SS}$	-	$0.3 \times V_{DD}$	
$t_w(OSCINH)$ $t_w(OSCINL)$	OSCIN high or low time <sup>(1)</sup>		15	-	-	ns
$t_r(OSCIN)$ $t_f(OSCIN)$	OSCIN rise or fall time <sup>(1)</sup>		-	-	15	
$I_L$	OSCx input leakage current	$V_{SS} \leq V_{IN} \leq V_{DD}$	-	-	$\pm 1$	$\mu A$

1. Data based on design simulation and/or technology characteristics, not tested in production.

**Figure 57. Typical application with an external clock source**

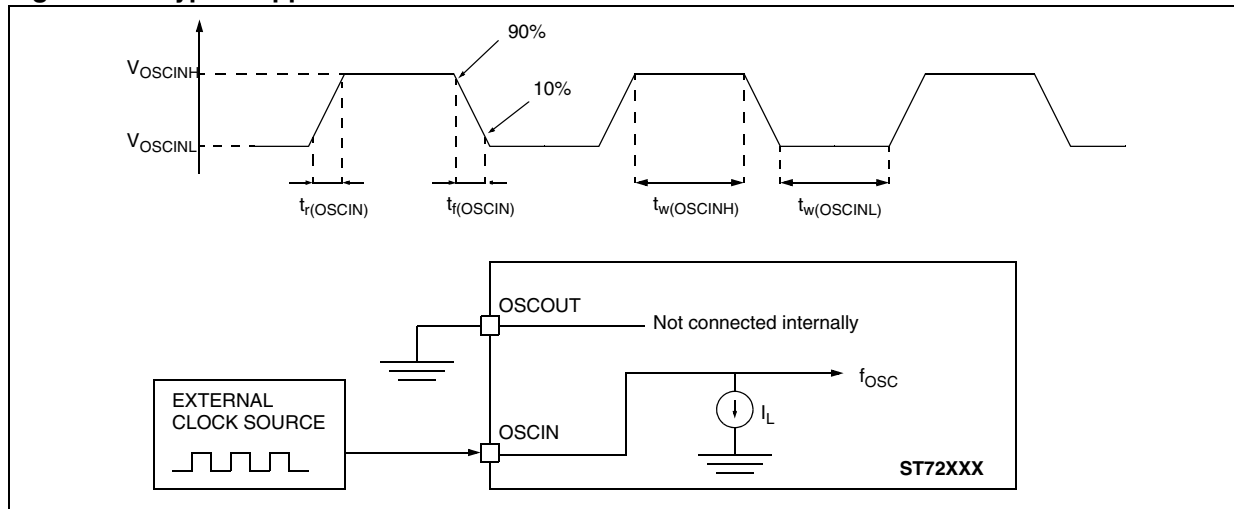
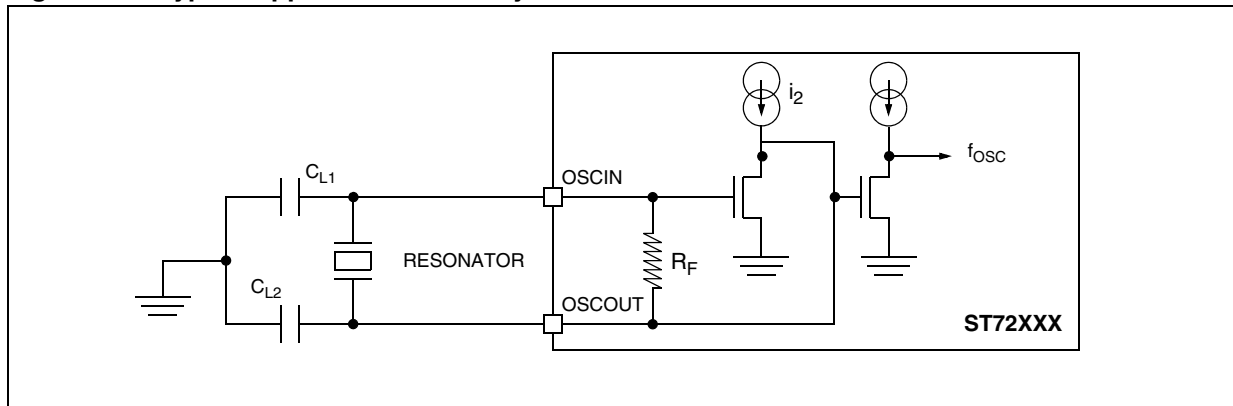




Figure 58. Typical application with a crystal resonator



### 13.6 Memory characteristics

Subject to general operating conditions for  $f_{CPU}$ , and  $T_A$  unless otherwise specified.

Table 64. RAM and hardware registers

Symbol	Parameter	Conditions	Min	Typ	Max	Unit
$V_{RM}$	Data retention mode <sup>(1)</sup>	Halt mode (or RESET)	2.0	-	-	V

1. Guaranteed by design. Not tested in production.

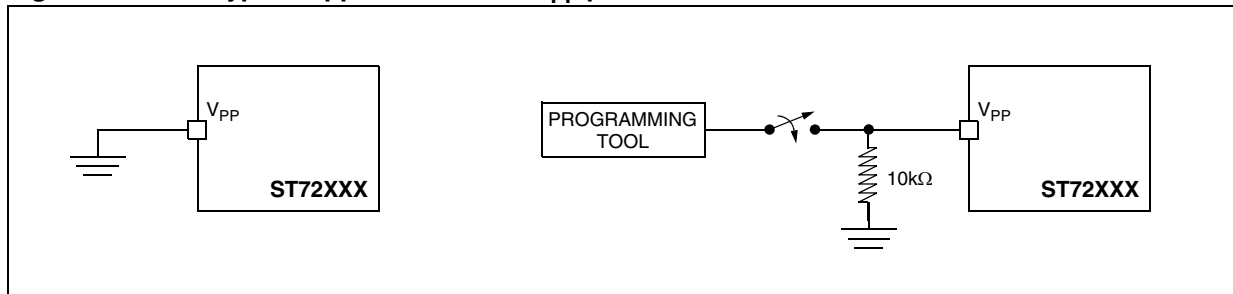
#### 13.6.1 Flash memory

Operating Conditions:  $f_{CPU} = 8$  MHz.

Table 65. Dual voltage Flash memory<sup>(1)</sup>

Symbol	Parameter	Conditions	Min	Typ	Max	Unit
$f_{CPU}$	Operating frequency	Read mode	-	-	8	MHz
		Write / Erase mode, $T_A=25$ °C	-	-	8	
$V_{PP}$	Programming voltage	$4.0\text{ V} \leq V_{DD} \leq 5.5\text{ V}$	11.4	-	12.6	V
$I_{PP}$	$V_{PP}$ current	Write / Erase	-	30	-	mA
$t_{VPP}$	Internal $V_{PP}$ stabilization time		-	10	-	$\mu\text{s}$
$t_{RET}$	Data retention	$T_A \leq 55$ °C	40	-	-	years
$N_{RW}$	Write/erase cycles	$T_A=25$ °C	100	-	-	cycles

1. Refer to the Flash programming reference manual for the typical HDFlash programming and erase timing values.

Figure 59. Two typical applications with  $V_{PP}$  pin

1. When the ICP mode is not required by the application,  $V_{PP}$  pin must be tied to  $V_{SS}$ .

## 13.7 EMC characteristics

Susceptibility tests are performed on a sample basis during product characterization.

### 13.7.1 Functional EMS (electromagnetic susceptibility)

Based on a simple running application on the product (toggling 2 LEDs through I/O ports), the product is stressed by two electromagnetic events until a failure occurs (indicated by the LEDs).

- **ESD:** Electrostatic discharge (positive and negative) is applied on all pins of the device until a functional disturbance occurs. This test conforms with the IEC 1000-4-2 standard.
- **FTB:** A burst of fast transient voltage (positive and negative) is applied to  $V_{DD}$  and  $V_{SS}$  through a 100pF capacitor, until a functional disturbance occurs. This test conforms with the IEC 1000-4-4 standard.

A device reset allows normal operations to be resumed. The test results are given in the table below based on the EMS levels and classes defined in application note AN1709.

#### Designing hardened software to avoid noise problems

EMC characterization and optimization are performed at component level with a typical application environment and simplified MCU software. It should be noted that good EMC performance is highly dependent on the user application and the software in particular.

Therefore it is recommended that the user applies EMC software optimization and prequalification tests in relation with the EMC level requested for his application.

Software recommendations:

The software flowchart must include the management of runaway conditions such as:

- Corrupted program counter
- Unexpected reset
- Critical data corruption (control registers...)

Prequalification trials

Most of the common failures (unexpected reset and program counter corruption) can be reproduced by manually forcing a low state on the  $\overline{\text{RESET}}$  pin or the Oscillator pins for 1 second.

To complete these trials, ESD stress can be applied directly on the device, over the range of specification values. When unexpected behavior is detected, the software can be hardened to prevent unrecoverable errors occurring (see application note AN1015).

**Table 66. EMC characteristics**

Symbol	Parameter	Conditions	Level/Class
$V_{FESD}$	Voltage limits to be applied on any I/O pin to induce a functional disturbance	$V_{DD}=5\text{ V}$ , $T_A=+25\text{ }^\circ\text{C}$ , $f_{OSC}=8\text{ MHz}$ , SDIP32 conforms to IEC 1000-4-2	4B
$V_{FFTB}$	Fast transient voltage burst limits to be applied through 100 pF on $V_{DD}$ and $V_{DD}$ pins to induce a functional disturbance	$V_{DD}=5\text{ V}$ , $T_A=+25\text{ }^\circ\text{C}$ , $f_{OSC}=8\text{ MHz}$ , SDIP32 conforms to IEC 1000-4-4	4A

### 13.7.2 Electromagnetic Interference (EMI)

Based on a simple application running on the product (toggling 2 LEDs through the I/O ports), the product is monitored in terms of emission. This emission test is in line with the norm SAE J 1752/3 which specifies the board and the loading of each pin.

**Table 67. EMI characteristics**

Symbol	Parameter	Conditions	Monitored frequency band	Max vs. [f <sub>osc</sub> /f <sub>CPU</sub> ]	Unit
				16/8 MHz	
S <sub>EMI</sub>	Peak level <sup>(1)</sup>	V <sub>DD</sub> =5 V, T <sub>A</sub> =+25 °C, SDIP32 package conforming to SAE J 1752/3 <sup>(2)</sup>	0.1 MHz to 30 MHz	36	dBμV
			30 MHz to 130 MHz	39	
			130 MHz to 1 GHz	26	
			SAE EMI Level	3.5	-

1. Data based on characterization results, not tested in production.
2. Refer to application note AN1709 for data on other package types.

### 13.7.3 Absolute maximum ratings (electrical sensitivity)

Based on three different tests (ESD, and LU) using specific measurement methods, the product is stressed in order to determine its performance in terms of electrical sensitivity. For more details, refer to the application note AN1181.

#### Electrostatic discharge (ESD)

Electrostatic discharges (a positive then a negative pulse separated by 1 second) are applied to the pins of each sample according to each pin combination. The sample size depends on the number of supply pins in the device (3 parts\*(n+1) supply pin). This test conforms to the JESD22-A114A/A115A standard.

**Table 68. Absolute maximum ratings**

Symbol	Ratings	Conditions	Maximum value <sup>(1)</sup>	Unit
V <sub>ESD(HBM)</sub>	Electrostatic discharge voltage (human body model)	T <sub>A</sub> =+25 °C	2000	V

1. Data based on characterization results, not tested in production.

#### Static latchup (LU)

3 complementary static tests are required on 10 parts to assess the latchup performance. A supply overvoltage (applied to each power supply pin) and a current injection (applied to each input, output and configurable I/O pin) are performed on each sample. This test conforms to the EIA/JESD 78 IC latch-up standard. For more details, refer to the application note AN1181.

**Table 69. Electrical sensitivities**

Symbol	Parameter	Conditions	Class <sup>(1)</sup>
LU	Static latchup class	T <sub>A</sub> =+25 °C	A

1. Class description: A Class is an STMicroelectronics internal specification. All its limits are higher than the JEDEC specifications, that means when a device belongs to Class A it exceeds the JEDEC standard. B Class strictly covers all the JEDEC criteria (international standard).

### 13.8 I/O port pin characteristics

Subject to general operating conditions for V<sub>DD</sub>, f<sub>CPU</sub>, and T<sub>A</sub> unless otherwise specified.

**Table 70. General characteristics**

Symbol	Parameter	Conditions	Min	Typ	Max	Unit
V <sub>IL</sub>	Input low level voltage		-	-	0.3xV <sub>DD</sub>	V
V <sub>IH</sub>	Input high level voltage		0.7xV <sub>DD</sub>	-	-	
V <sub>IN</sub>	Input voltage	True open drain I/O pins	V <sub>SS</sub>	-	6.0	V
		Other I/O pins		-	V <sub>DD</sub>	
V <sub>hys</sub>	Schmitt trigger voltage hysteresis		-	400	-	mV
I <sub>L</sub>	Input leakage current	V <sub>SS</sub> ≤ V <sub>IN</sub> ≤ V <sub>DD</sub>	-	-	±1	μA
I <sub>S</sub>	Static current consumption induced by each floating input pin <sup>(1)</sup>	Floating input mode	-	400	-	
R <sub>PU</sub>	Weak pull-up equivalent resistor <sup>(2)</sup>	V <sub>IN</sub> =V <sub>SS</sub>   V <sub>DD</sub> =5 V	50	90	120	kΩ
C <sub>IO</sub>	I/O pin capacitance		-	5	-	pF
t <sub>f(I/O)out</sub>	Output high to low level fall time	C <sub>L</sub> =50pF Between 10% and 90%	-	25	-	ns
t <sub>r(I/O)out</sub>	Output low to high level rise time		-	25	-	
t <sub>w(IT)in</sub>	External interrupt pulse time <sup>(3)</sup>		1	-	-	t <sub>CPU</sub>

1. Configuration not recommended, all unused pins must be kept at a fixed voltage: using the output mode of the I/O for example or an external pull-up or pull-down resistor (see [Figure 60](#)). Static peak current value taken at a fixed V<sub>IN</sub> value, based on design simulation and technology characteristics, not tested in production. This value depends on V<sub>DD</sub> and temperature values.
2. The R<sub>PU</sub> pull-up equivalent resistor is based on a resistive transistor (corresponding I<sub>PU</sub> current characteristics described in [Figure 61](#)).
3. To generate an external interrupt, a minimum pulse width has to be applied on an I/O port pin configured as an external interrupt source.

**Figure 60. Two typical applications with unused I/O pin**

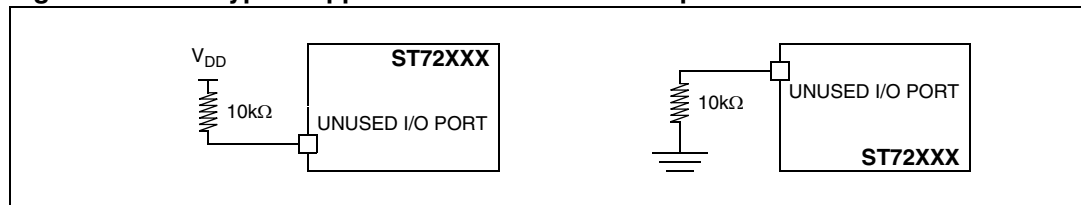


Figure 61. Typ.  $I_{PU}$  vs.  $V_{DD}$

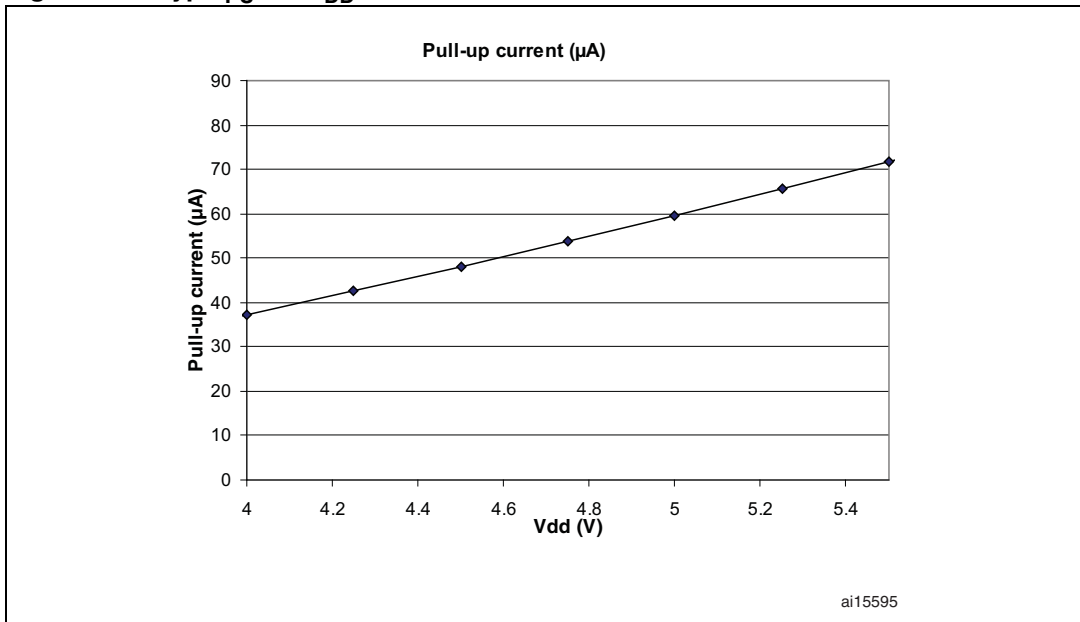


Figure 62. Typ.  $R_{PU}$  vs.  $V_{DD}$

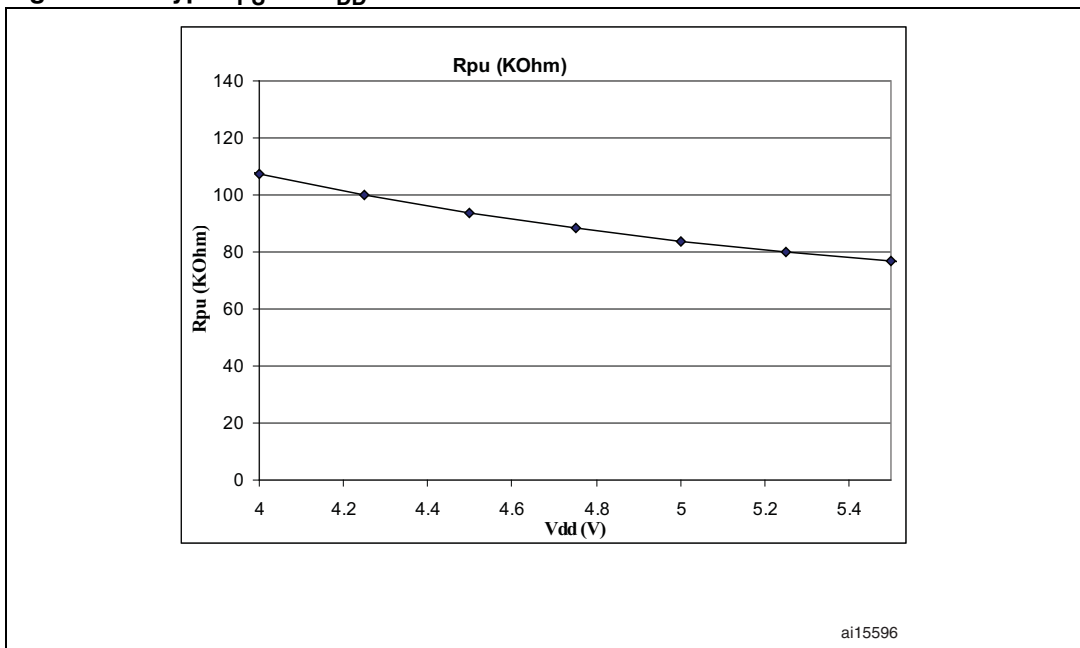


Table 71. Output driving current

Symbol	Parameter	Conditions	Min	Max	Unit
$V_{OL}^{(1)}$	Output low level voltage for a standard I/O pin when up to 8 pins are sunk at the same time, Port A0, Port A(3:7), Port C(0:2), Port D(0:7)	$I_{IO}=+1.6\text{ mA}$	-	0.4	V
	Output low level voltage for a high sink I/O pin when up to 4 pins are sunk at the same time, Port B(0:7)	$I_{IO}=+10\text{ mA}$	-	1.3	
	Output low level voltage for a very high sink I/O pin when up to 2 pins are sunk at the same time, Port A1, Port A2	$I_{IO}=+25\text{ mA}$	-	1.5	
$V_{OH}^{(2)}$	Output high level voltage for an I/O pin when up to 8 pins are sourced at same time	$I_{IO}=-10\text{ mA}$	$V_{DD}-1.3^{(3)}$	-	
		$I_{IO}=-1.6\text{ mA}$	$V_{DD}-0.8$	-	

1. The  $I_{IO}$  current sunk must always respect the absolute maximum rating specified in [Section 13.2](#) and the sum of  $I_{IO}$  (I/O ports and control pins) must not exceed  $I_{VSS}$ .
2. The  $I_{IO}$  current sourced must always respect the absolute maximum rating specified in [Section 13.2](#) and the sum of  $I_{IO}$  (I/O ports and control pins) must not exceed  $I_{VDD}$ . True open drain I/O pins does not have  $V_{OH}$ .
3. The minimum  $V_{OH}$  value (with  $I_{IO}=-10\text{mA}$ ) depends on the chosen device type. For Flash devices,  $\text{min} = V_{DD} - 1.3\text{ V}$  and for ROM devices,  $\text{min} = V_{DD} - 1.7\text{ V}$

Figure 63.  $V_{OL}$  standard  $V_{DD}=5\text{ V}$

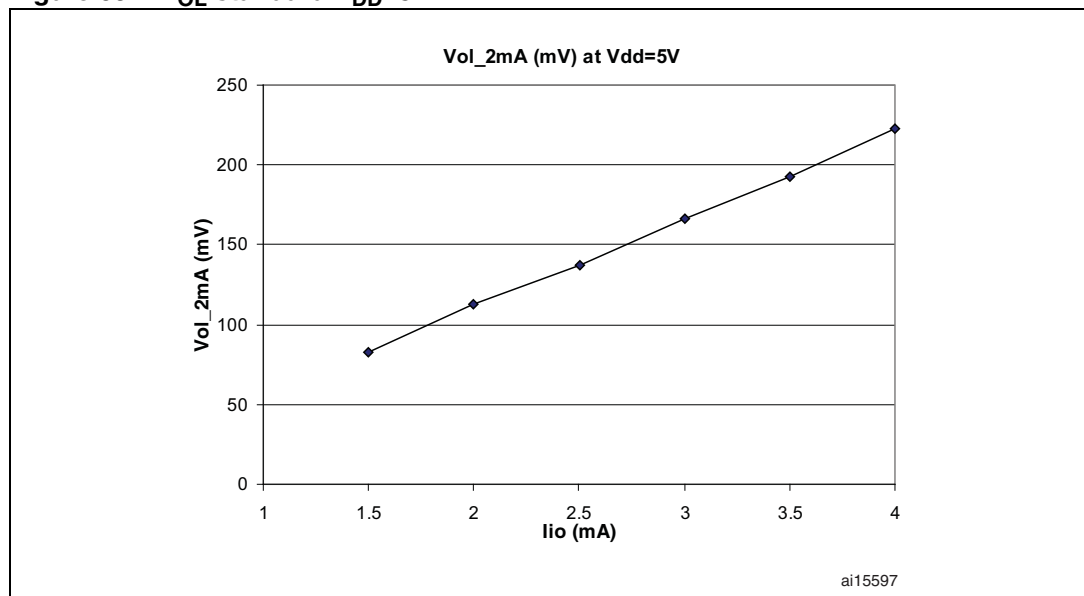


Figure 64.  $V_{OL}$  high sink  $V_{DD}=5\text{ V}$

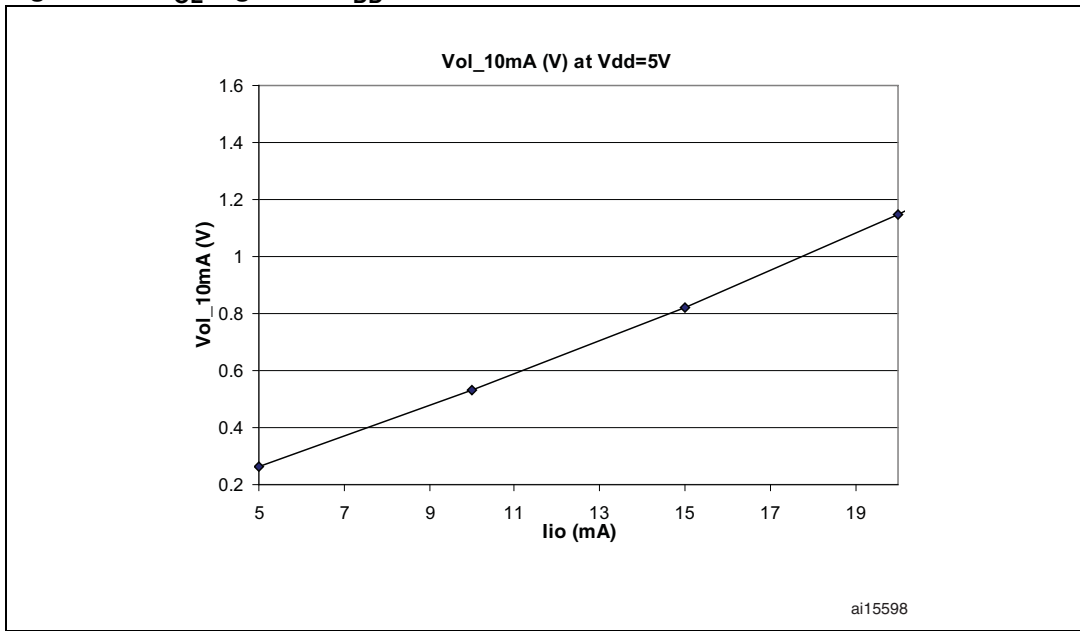


Figure 65.  $V_{OL}$  very high sink  $V_{DD}=5\text{ V}$

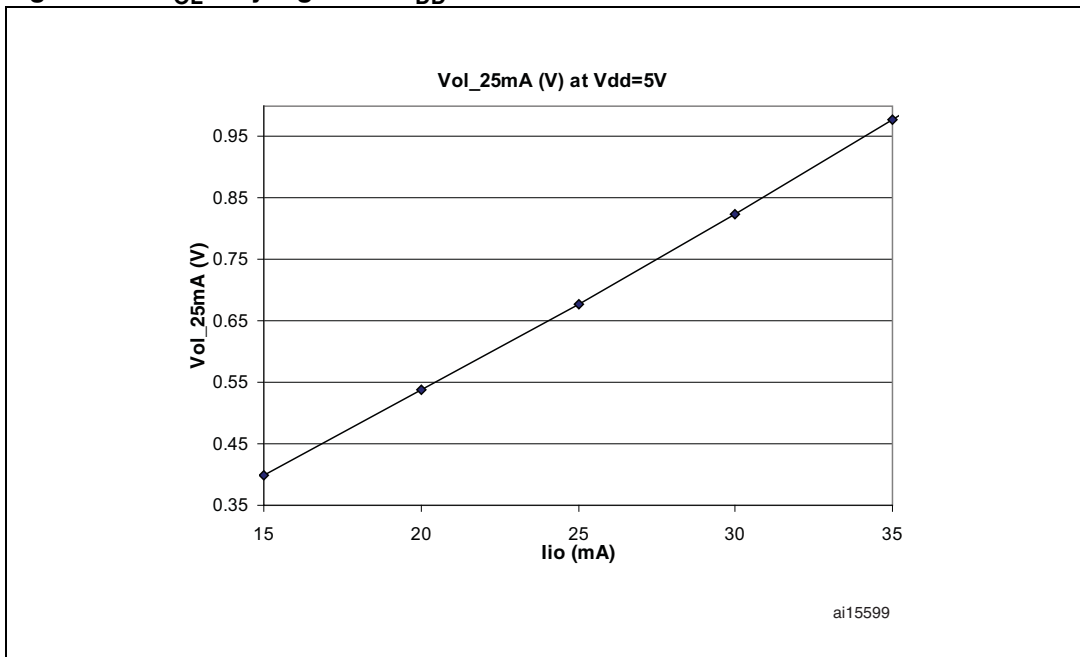




Figure 66.  $V_{OL}$  standard vs.  $V_{DD}$

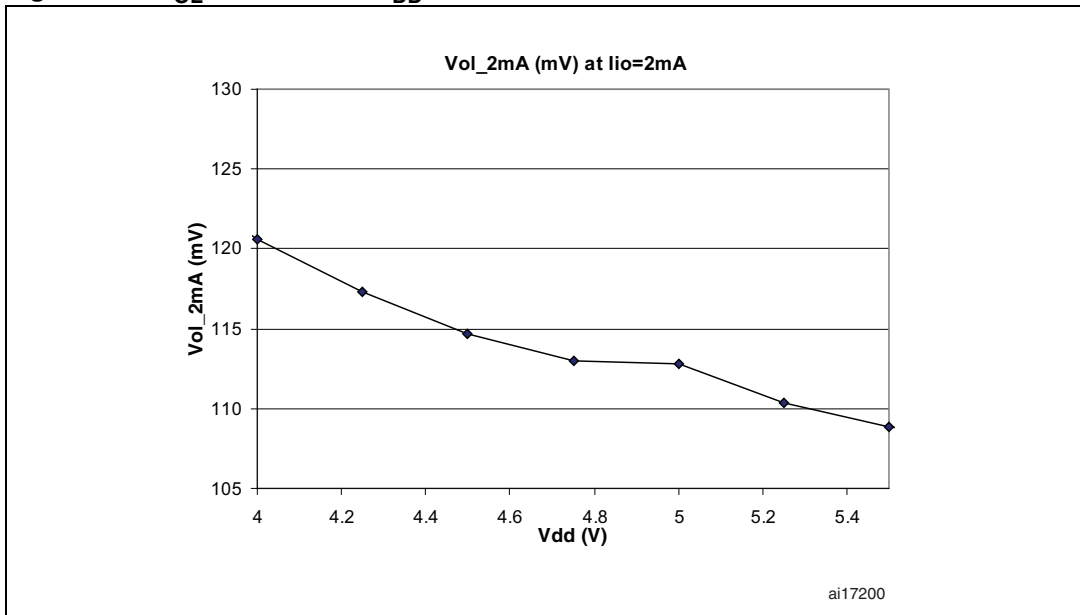


Figure 67.  $V_{OL}$  high sink vs.  $V_{DD}$

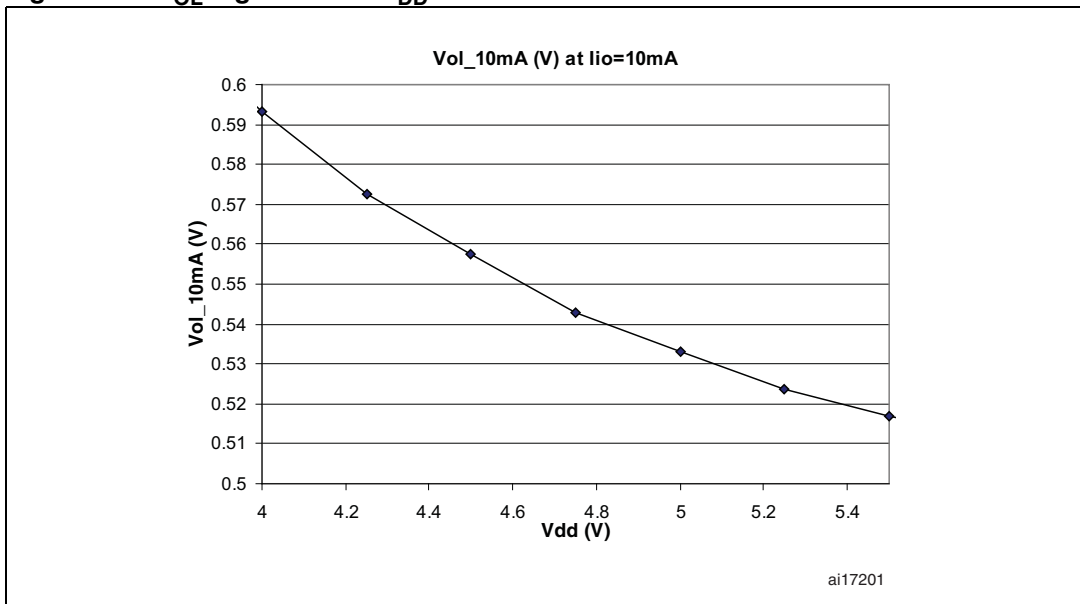


Figure 68.  $V_{OL}$  very high sink vs.  $V_{DD}$

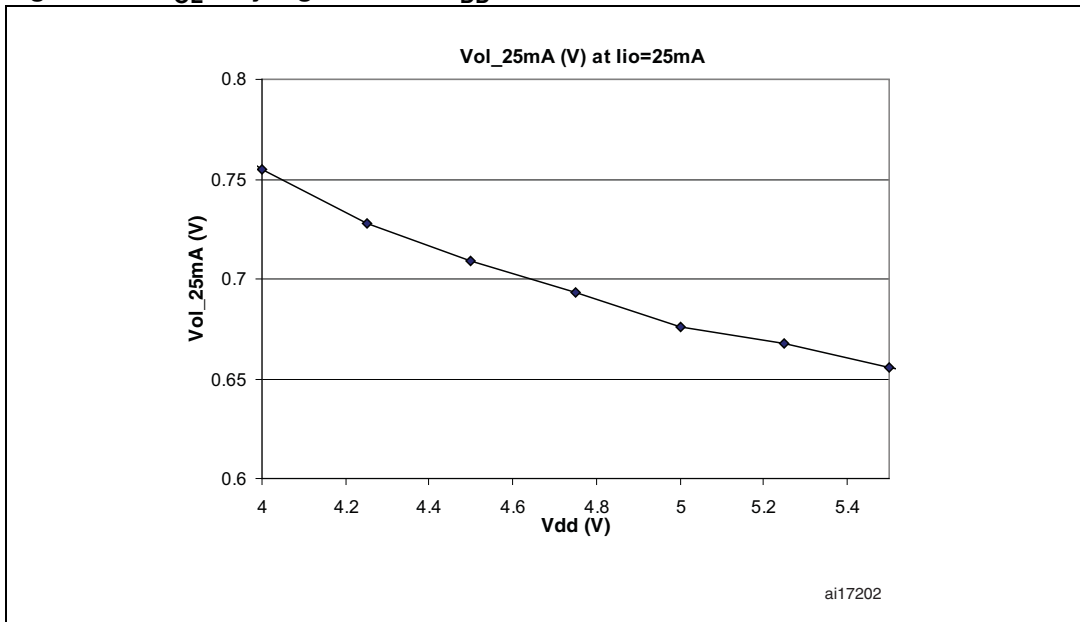


Figure 69.  $|V_{DD} - V_{OH}|$  @  $V_{DD}=5$  V (low current)

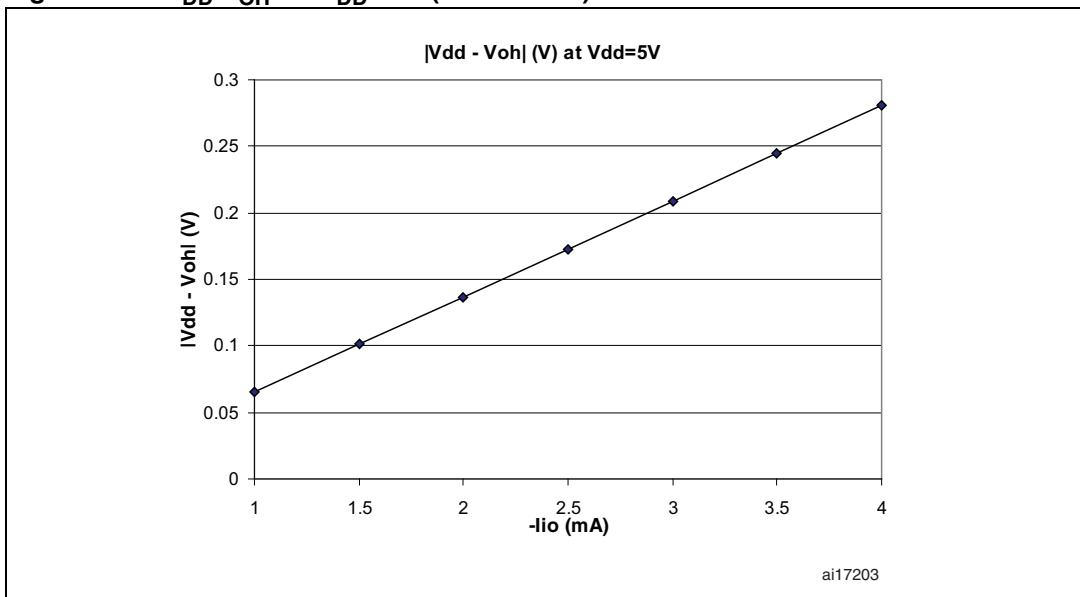


Figure 70.  $|V_{DD}-V_{OH}|$  @  $V_{DD}=5\text{ V}$  (high current)

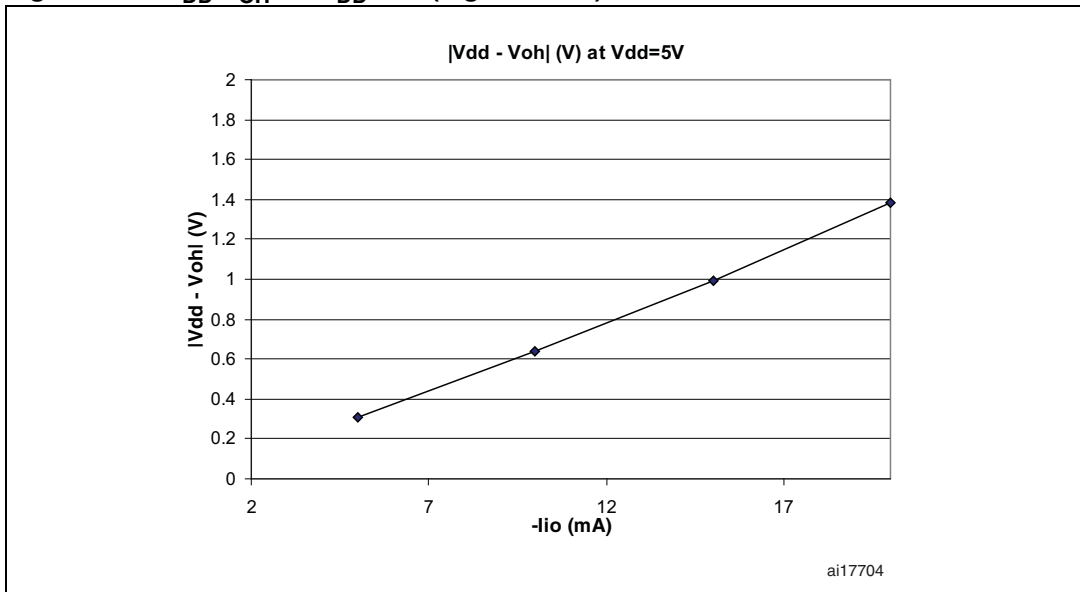


Figure 71.  $|V_{DD}-V_{OH}|$  @  $I_{IO}=2\text{ mA}$  (low current)

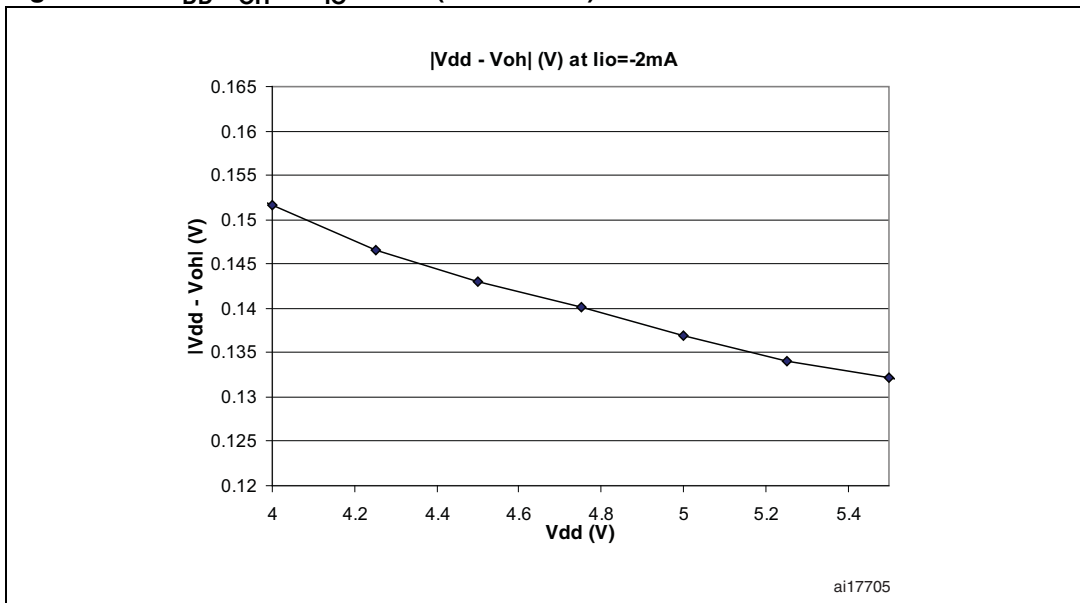
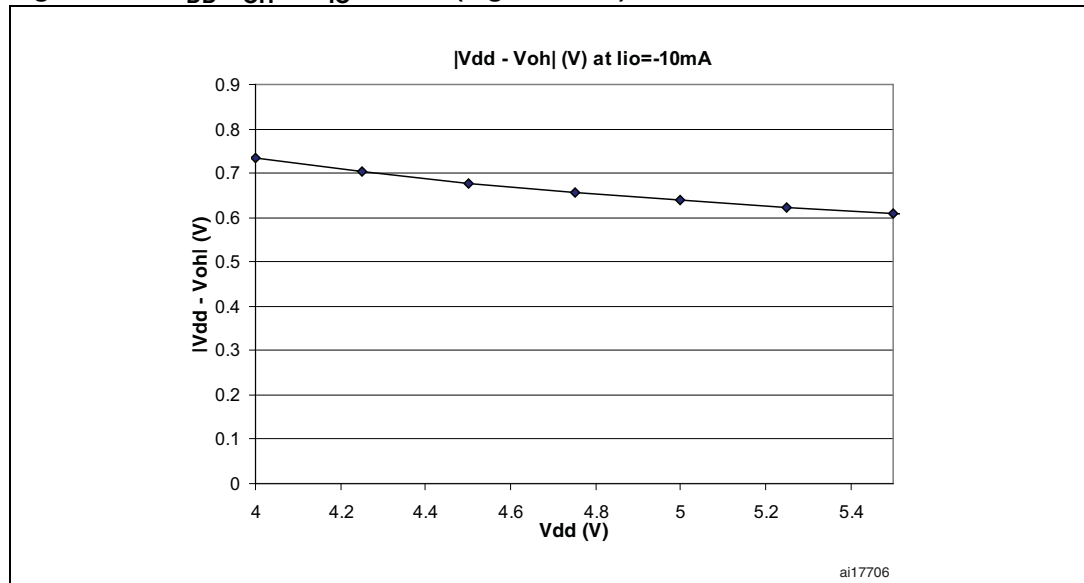


Figure 72.  $|V_{DD}-V_{OH}| @ I_{IO}=10 \text{ mA}$  (high current)



### 13.9 Control pin characteristics

Subject to general operating conditions for  $V_{DD}$ ,  $f_{CPU}$ , and  $T_A$  unless otherwise specified.

Table 72. Asynchronous  $\overline{\text{RESET}}$  pin

Symbol	Parameter	Conditions	Min	Typ	Max	Unit	
$V_{IH}$	Input high level voltage		$0.7 \times V_{DD}$	-	$V_{DD}$	V	
$V_{IL}$	Input low voltage		$V_{SS}$	-	$0.3 \times V_{DD}$	V	
$V_{hys}$	Schmitt trigger voltage hysteresis <sup>(1)</sup>		-	400	-	mV	
$V_{OL}$	Output low level voltage <sup>(2)</sup>	$V_{DD}=5 \text{ V}$	$I_{IO}=5 \text{ mA}$	-	-	0.8	V
			$I_{IO}=7.5 \text{ mA}$	-	-	1.3	
$R_{ON}$	Weak pull-up equivalent resistor <sup>(3)</sup>	$V_{IN}=V_{SS}$	$V_{DD}=5 \text{ V}$	50	80	100	k $\Omega$
$t_{w(RSTL)out}$	Generated reset pulse duration	External pin or internal reset sources	-	6 30	-	$1/f_{SFOSC}$ $\mu\text{s}$	
$t_{h(RSTL)in}$	External reset pulse hold time <sup>(4)</sup>		5	-	-	$\mu\text{s}$	

- Hysteresis voltage between Schmitt trigger switching levels. Based on characterization results, not tested.
- The  $I_{IO}$  current sunk must always respect the absolute maximum rating specified in [Section 13.2](#) and the sum of  $I_{IO}$  (I/O ports and control pins) must not exceed  $I_{VSS}$ .
- The  $R_{ON}$  pull-up equivalent resistor is based on a resistive transistor. This data is based on characterization results, not tested in production.
- To guarantee the reset of the device, a minimum pulse has to be applied to  $\overline{\text{RESET}}$  pin. All short pulses applied on  $\overline{\text{RESET}}$  pin with a duration below  $t_{h(RSTL)in}$  can be ignored.

Figure 73 and Figure 74 show the reset circuit which protects the device against parasitic resets:

- The output of the external reset circuit must have an open-drain output to drive the ST7 reset pad. Otherwise the device can be damaged when the ST7 generates an internal reset (LVD or watchdog).
- Whatever the reset source is (internal or external), the user must ensure that the level on the  $\overline{\text{RESET}}$  pin can go below the  $V_{\text{IL}}$  max. level specified in [Section Table 72.: Asynchronous RESET pin](#). Otherwise the reset will not be taken into account internally.
- Because the reset circuit is designed to allow the internal reset to be output in the  $\overline{\text{RESET}}$  pin, the user must ensure that the current sunk on the  $\overline{\text{RESET}}$  pin is less than the absolute maximum value specified for  $I_{\text{INJ}(\text{RESET})}$  in [Section Table 56.: Current characteristics](#).

When the LVD is enabled:

- It is recommended not to connect a pull-up resistor or capacitor. A 10 nF pull-down capacitor is required to filter noise on the reset line.
- In case a capacitive power supply is used, it is recommended to connect a 1 M $\Omega$  pull-down resistor to the  $\overline{\text{RESET}}$  pin to discharge any residual voltage induced by the capacitive effect of the power supply (this will add 5  $\mu\text{A}$  to the power consumption of the MCU).
- Tips when using the LVD:
  - a) Check that all recommendations related to ICCCLK and reset circuit have been applied (see notes above).
  - b) Check that the power supply is properly decoupled (100 nF + 10  $\mu\text{F}$  close to the MCU). Refer to AN1709 and AN2017. If this cannot be done, it is recommended to put a 100 nF + 1 M $\Omega$  pull-down on the  $\overline{\text{RESET}}$  pin.
  - c) The capacitors connected on the  $\overline{\text{RESET}}$  pin and also the power supply are key to avoid any start-up marginality. In most cases, steps a) and b) above are sufficient for a robust solution. Otherwise: replace 10 nF pull-down on the  $\overline{\text{RESET}}$  pin with a 5  $\mu\text{F}$  to 20  $\mu\text{F}$  capacitor.

Figure 73.  $\overline{\text{RESET}}$  pin protection when LVD is enabled

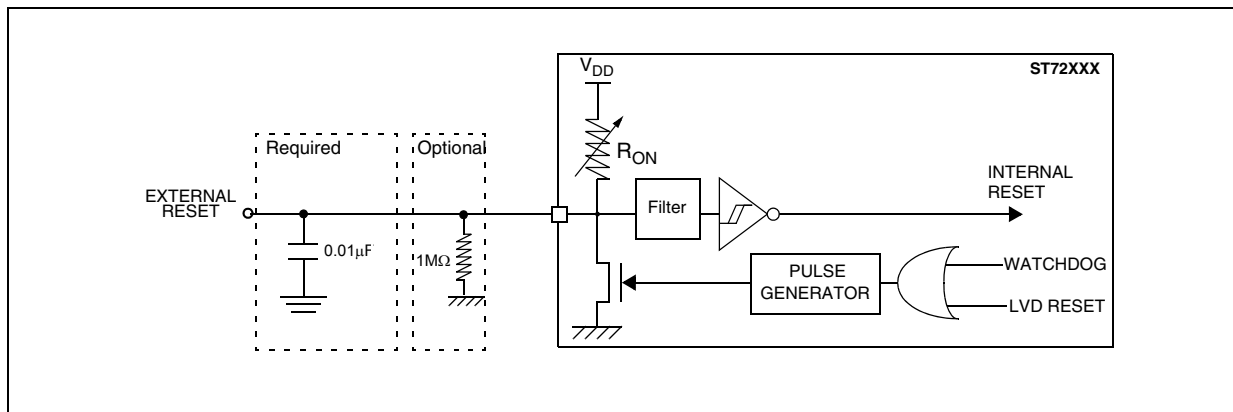
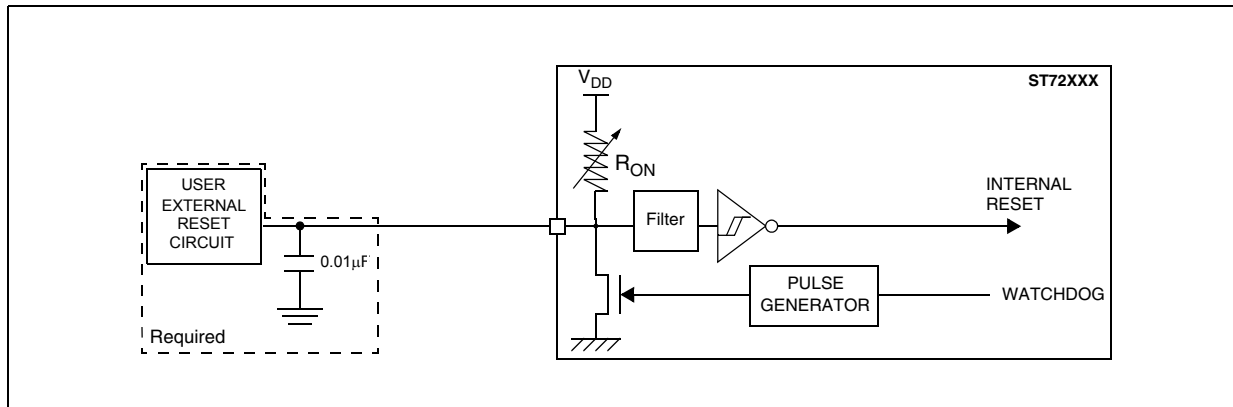


Figure 74.  $\overline{\text{RESET}}$  pin protection when LVD is disabled



### 13.10 Communication interface characteristics

#### 13.10.1 USB interface

Operating conditions  $T_A = 0$  to  $+70$  °C,  $V_{DD} = 4.0$  to  $5.25$  V unless otherwise specified.

Table 73. USB DC characteristics

Symbol	Parameter	Conditions	Min.	Max.	Unit
$V_{DI}$	Differential input sensitivity	I(D+, D-)	0.2	-	V <sup>(1)</sup>
$V_{CM}$	Differential common mode range	Includes $V_{DI}$ range	0.8	2.5	
$V_{SE}$	Single ended receiver threshold		0.8	2.0	
$V_{OL}$	Static output low	$R_L$ <sup>(2)</sup> of 1.5 K $\Omega$ to 3.6 V	-	0.3	
$V_{OH}$	Static output high	$R_L$ <sup>(2)</sup> of 15 K $\Omega$ to $V_{SS}$	2.8	3.6	
USBV	USBVCC: voltage level <sup>(3)</sup>	$V_{DD}=5$ V	3.00	3.60	

1. All the voltages are measured from the local ground potential.
2.  $R_L$  is the load connected on the USB drivers.
3. To improve EMC performance (noise immunity), it is recommended to connect a 100nF capacitor to the USBVCC pin.

Figure 75. USB data signal rise and fall time

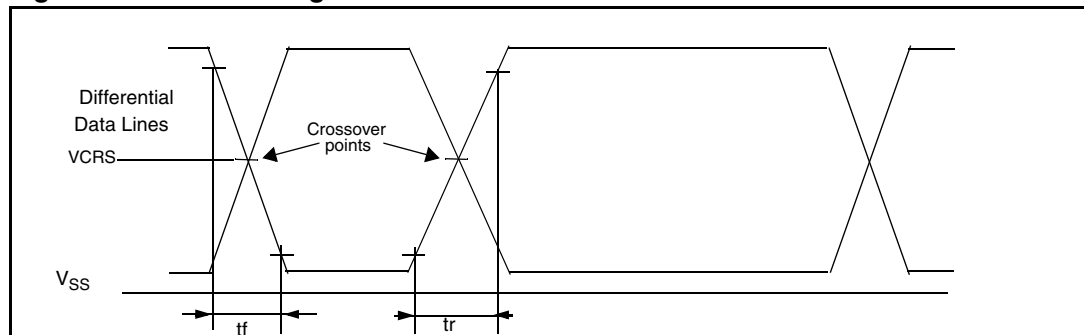


Table 74. USB low-speed electrical characteristics

Symbol	Parameter	Conditions	Min	Max	Unit
	Driver characteristics:		-	-	
$t_r$	Rise time	$C_L=50\text{ pF}^{(1)}$	75	-	ns
		$C_L=600\text{ pF}^{(1)}$	-	300	ns
$t_f$	Fall Time	$C_L=50\text{ pF}^{(1)}$	75	-	ns
		$C_L=600\text{ pF}^{(1)}$	-	300	ns
$t_{r/m}$	Rise/ fall time matching	$t_r/t_f$	80	120	%
$V_{CRS}$	Output signal crossover voltage		1.3	2.0	V

1. For more detailed information, please refer to Chapter 7 (Electrical) of the USB specification (version 1.1).

### 13.10.2 SCI interface

Subject to general operating condition for  $V_{DD}$ ,  $f_{CPU}$ , and  $T_A$  unless otherwise specified.

Refer to I/O port characteristics for more details on the input/output alternate function characteristics (RDI and TDO).

Table 75. SCI characteristics

Symbol	Parameter	Conditions			Standard	Baud Rate	Unit
		$f_{CPU}$	Accuracy vs. standard	Prescaler			
$f_{Tx}$ $f_{Rx}$	Communication frequency	8 MHz	~0.16%	Conventional mode TR (or RR)=128, PR=13 TR (or RR)= 32, PR=13 TR (or RR)= 16, PR=13 TR (or RR)= 8, PR=13 TR (or RR)= 4, PR=13 TR (or RR)= 16, PR= 3 TR (or RR)= 2, PR=13 TR (or RR)= 1, PR=13	300 1200 2400 4800 9600 10400 19200 38400	~300.48 ~1201.92 ~2403.84 ~4807.69 ~9615.38 ~10416.67 ~19230.77 ~38461.54	Hz

### 13.10.3 I<sup>2</sup>C interface

Refer to I/O port characteristics for more details on the input/output alternate function characteristics (SDAI and SCLI).

The ST7 I<sup>2</sup>C interface meets the requirements of the standard I<sup>2</sup>C communication protocol described in the following table.

Subject to general operating conditions for  $V_{DD}$ ,  $f_{OSC}$ , and  $T_A$  unless otherwise specified.

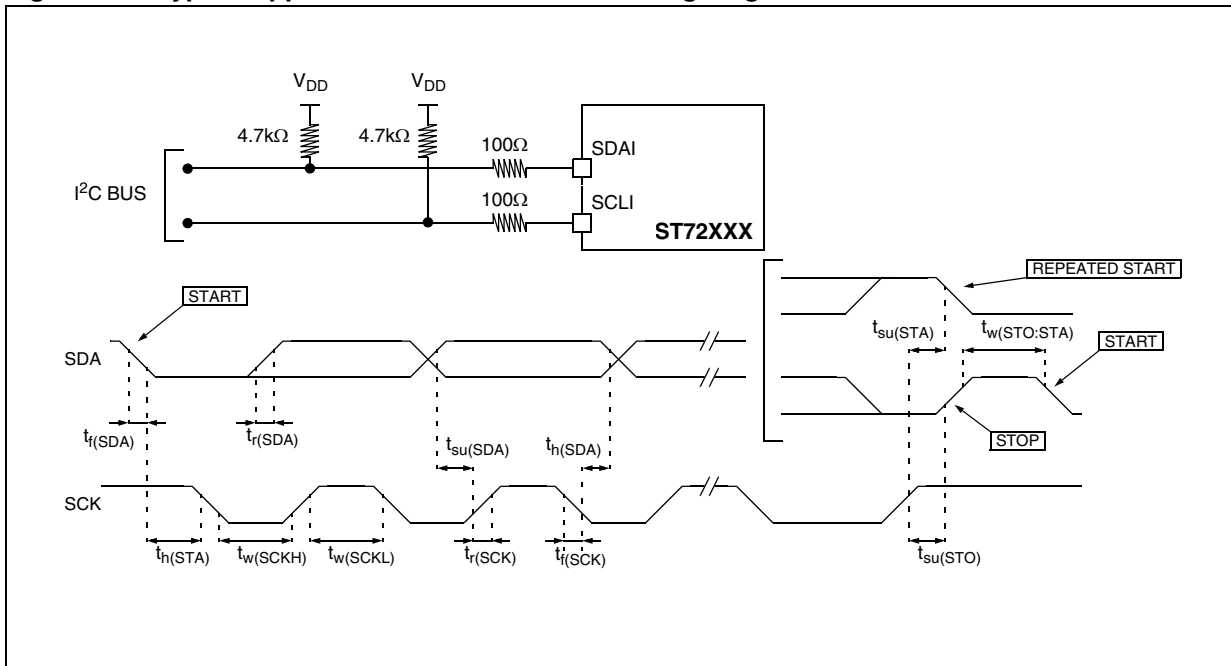
**Table 76. I<sup>2</sup>C characteristics**

Symbol	Parameter	Standard mode I <sup>2</sup> C <sup>(1)</sup>		Fast mode I <sup>2</sup> C <sup>(1)(2)</sup>		Unit
		Min	Max	Min	Max	
$t_{w(SCLL)}$	SCL clock low time	4.7	-	1.3	-	$\mu s$
$t_{w(SCLH)}$	SCL clock high time	4.0	-	0.6	-	
$t_{su(SDA)}$	SDA setup time	250	-	100	-	ns
$t_h(SDA)$	SDA data hold time	0 <sup>(3)</sup>	-	0 <sup>(4)</sup>	900 <sup>(3)</sup>	
$t_r(SDA)$ $t_r(SCL)$	SDA and SCL rise time	-	1000	20+0.1C <sub>b</sub>	300	
$t_f(SDA)$ $t_f(SCL)$	SDA and SCL fall time	-	300	20+0.1C <sub>b</sub>	300	
$t_h(STA)$	START condition hold time	4.0	-	0.6	-	$\mu s$
$t_{su(STA)}$	Repeated START condition setup time	4.7	-	0.6	-	$\mu s$
$t_{su(STO)}$	STOP condition setup time	4.0	-	0.6	-	$\mu s$
$t_{w(STO:STA)}$	STOP to START condition time (bus free)	4.7	-	1.3	-	$\mu s$
C <sub>b</sub>	Capacitive load for each bus line	-	400	-	400	pF

1. Data based on standard I<sup>2</sup>C protocol requirement, not tested in production.
2. At 4 MHz  $f_{CPU}$ , max. I<sup>2</sup>C speed (400 kHz) is not achievable. In this case, max. I<sup>2</sup>C speed will be approximately 260 KHz.
3. The maximum hold time of the START condition has only to be met if the interface does not stretch the low period of SCL signal.
4. The device must internally provide a hold time of at least 300ns for the SDA signal in order to bridge the undefined region of the falling edge of SCL.



Figure 76. Typical application with I<sup>2</sup>C bus and timing diagram



1. Measurement points are done at CMOS levels:  $0.3 \times V_{DD}$  and  $0.7 \times V_{DD}$ .

Table 77 gives the values to be written in the I2CCCR register to obtain the required I<sup>2</sup>C SCL line frequency.

**Table 77. SCL frequency<sup>(1)(2)(3)(4)</sup>**

f <sub>SCL</sub> (kHz)	I2CCCR Value							
	f <sub>CPU</sub> =4 MHz				f <sub>CPU</sub> =8 MHz			
	V <sub>DD</sub> = 4.1 V		V <sub>DD</sub> = 5 V		V <sub>DD</sub> = 4.1 V		V <sub>DD</sub> = 5 V	
	R <sub>p</sub> =3.3 kΩ	R <sub>p</sub> =4.7 kΩ	R <sub>p</sub> =3.3 kΩ	R <sub>p</sub> =4.7 kΩ	R <sub>p</sub> =3.3 kΩ	R <sub>p</sub> =4.7 kΩ	R <sub>p</sub> =3.3 kΩ	R <sub>p</sub> =4.7 kΩ
400	NA	NA	NA	NA	83h	83	83h	83h
300	NA	NA	NA	NA	85h	85h	85h	85h
200	83h	83h	83h	83h	8Ah	89h	8Ah	8Ah
100	10h	10h	10h	10h	24h	23h	24h	23h
50	24h	24h	24h	24h	4Ch	4Ch	4Ch	4Ch
20	5Fh	5Fh	5Fh	5Fh	FFh	FFh	FFh	FFh

1. Legend: R<sub>p</sub> = External pull-up resistance; f<sub>SCL</sub> = I<sup>2</sup>C speed; NA = not achievable.
2. The above variations depend on the accuracy of the external components used.
3. For speeds around 200 kHz, achieved speed can have ±5% tolerance.
4. For other speed ranges, achieved speed can have ±2% tolerance.

### 13.11 8-bit ADC

Subject to general operating conditions for V<sub>DD</sub>, f<sub>OSC</sub>, and T<sub>A</sub> unless otherwise specified.

**Table 78. 8-bit ADC characteristics**

Symbol	Parameter	Conditions	Min	Typ <sup>(1)</sup>	Max	Unit
f <sub>ADC</sub>	ADC clock frequency		-	-	4	MHz
V <sub>AIN</sub>	Conversion range voltage <sup>(2)</sup>		V <sub>SSA</sub>	-	V <sub>DDA</sub>	V
R <sub>AIN</sub>	External input resistor		-	-	10 <sup>(3)</sup>	kΩ
C <sub>ADC</sub>	Internal sample and hold capacitor		-	6	-	pF
t <sub>STAB</sub>	Stabilization time after ADC enable		0 <sup>(4)</sup>			μs
t <sub>ADC</sub>	Conversion time (Sample+Hold)	f <sub>CPU</sub> =8 MHz, f <sub>ADC</sub> =2 MHz	6			
	- Sample capacitor loading time - Hold conversion time		4 8			1/f <sub>ADC</sub>

1. Unless otherwise specified, typical data are based on T<sub>A</sub>=25°C and V<sub>DD</sub>-V<sub>SS</sub>=5V.
2. When V<sub>DDA</sub> and V<sub>SSA</sub> pins are not available on the pinout, the ADC refer to V<sub>DD</sub> and V<sub>SS</sub>.
3. Any added external serial resistor will downgrade the ADC accuracy (especially for resistance greater than 10kΩ). Data based on characterization results, not tested in production.
4. The stabilization time of the AD converter is masked by the first t<sub>LOAD</sub>. The first conversion after the enable is then always valid.

Figure 77. Typical application with ADC

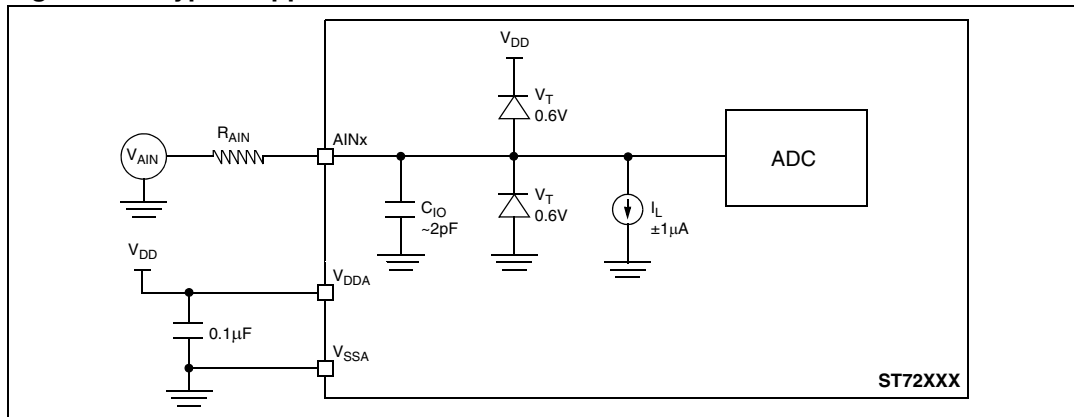
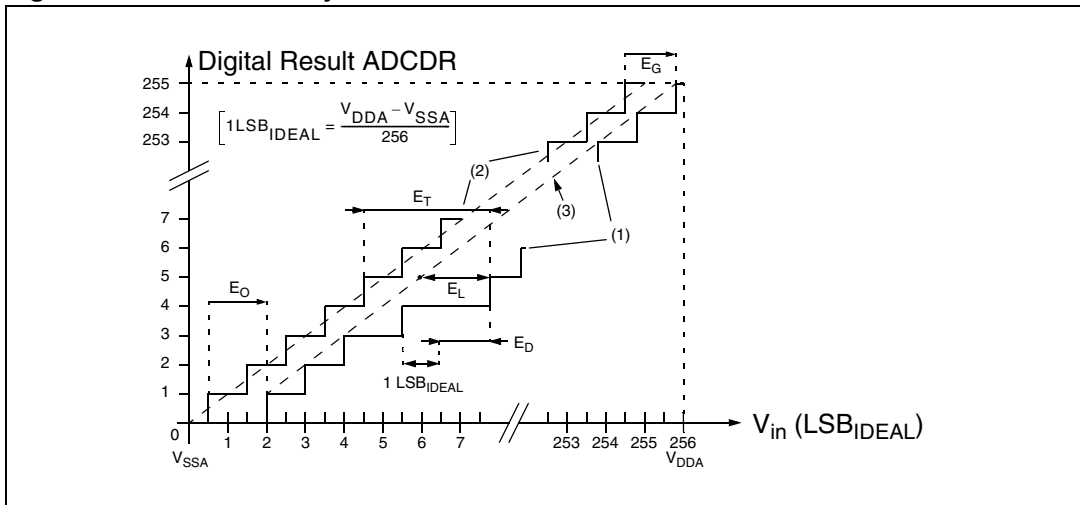


Table 79. ADC accuracy with VDD=5 V, fCPU= 8 MHz, fADC=4 MHz, RAIN< 10 kΩ

Symbol	Parameter	Typ	Max <sup>(1)(2)</sup>
IE <sub>T</sub>	Total unadjusted error <sup>(3)</sup>	1.5	2
IE <sub>O</sub>	Offset error <sup>(3)</sup>	0.5	1
IE <sub>G</sub>	Gain Error <sup>(3)</sup>	0.5	1.5
IE <sub>D</sub>	Differential linearity error <sup>(3)</sup>	1	1.5
IE <sub>L</sub>	Integral linearity error <sup>(3)</sup>	1	1.5

1. Data based on characterization results over the whole temperature range, not tested in production.
2. Data based on characterization results, to guarantee 99.73% within ± max value from 0 to 70 °C ( ± 3s distribution limits).
3. ADC Accuracy vs. Negative Injection Current:  
 For I<sub>INJ</sub>=0.8mA, the typical leakage induced inside the die is 1.6µA and the effect on the ADC accuracy is a loss of 1 LSB for each 10KΩ increase of the external analog source impedance. This effect on the ADC accuracy has been observed under worst-case conditions for injection:
  - negative injection
  - injection to an input with analog capability, adjacent to the enabled Analog input
  - at 5V V<sub>DD</sub> supply, and worst case temperature.

Figure 78. ADC accuracy characteristics



1. (1) Example of an actual transfer curve; (2) The ideal transfer curve; (3) End point correlation line.
2.  $E_T$ =Total Unadjusted Error: maximum deviation between the actual and the ideal transfer curves.  
 $E_O$ =Offset Error: deviation between the first actual transition and the first ideal one.  
 $E_G$ =Gain Error: deviation between the last ideal transition and the last actual one.  
 $E_D$ =Differential Linearity Error: maximum deviation between actual steps and the ideal one.  
 $E_L$ =Integral Linearity Error: maximum deviation between any actual transition and the end point correlation line.

## 14 Package characteristics

In order to meet environmental requirements, ST offers this device in different grades of ECOPACK<sup>®</sup> packages, depending on their level of environmental compliance. ECOPACK<sup>®</sup> specifications, grade definitions and product status are available at: [www.st.com](http://www.st.com). ECOPACK<sup>®</sup> is an ST trademark.

### 14.1 Package mechanical data

Figure 79. 32-pin plastic dual in-line package, shrink 400-mil width, package outline

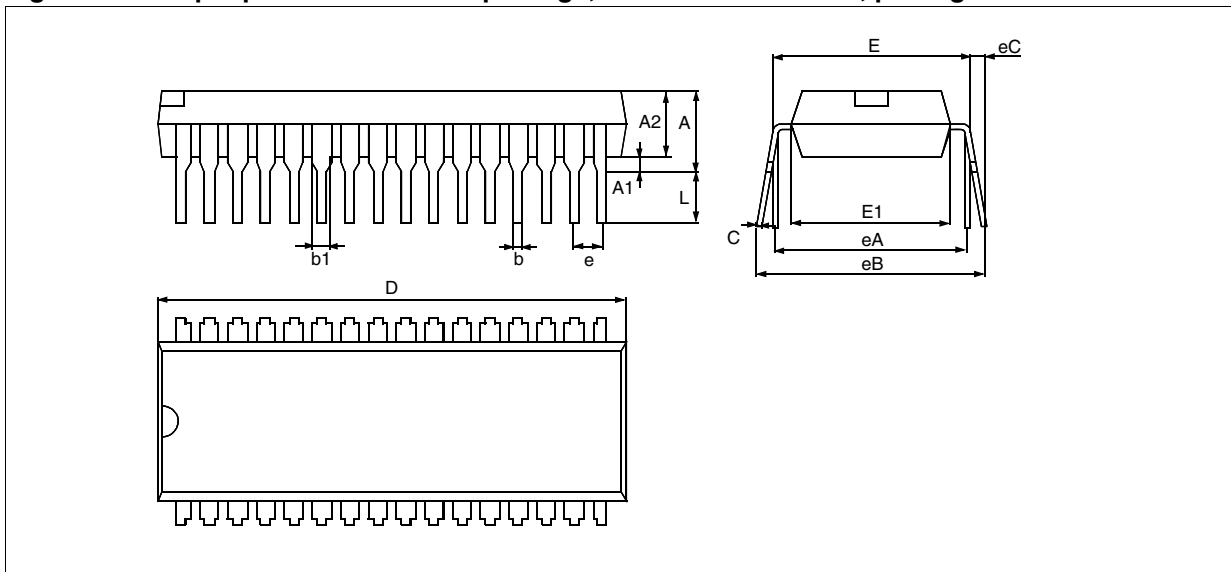


Table 80. 32-pin plastic dual in-line package, shrink 400-mil width, package mechanical data

Dim.	mm			inches <sup>(1)</sup>		
	Min	Typ	Max	Min	Typ	Max
A	3.560	3.760	5.080	0.1400	0.1480	0.2000
A1	0.510			0.0200		
A2	3.050	3.560	4.570	0.1200	0.1400	0.1800
b	0.360	0.460	0.580	0.0140	0.0180	0.0230
b1	0.760	1.020	1.400	0.0300	0.0400	0.0550
C	0.200	0.250	0.360	0.0080	0.0100	0.0140
D	27.430		28.450	1.0800	1.1000	1.1200
E	9.910	10.410	11.050	0.3900	0.4100	0.4350
E1	7.620	8.890	9.400	0.3000	0.3500	0.3700
e		1.780			0.0700	
eA		10.160			0.4000	
eB			12.700			0.5000
eC			1.400			0.0550
L	2.540	3.050	3.810	0.1000	0.1200	0.15000
	Number of pins					
N	32					

1. Values in inches are converted from mm and rounded to 4 decimal digits.

Figure 80. 34-pin plastic small outline package, 300-mil width, package outline

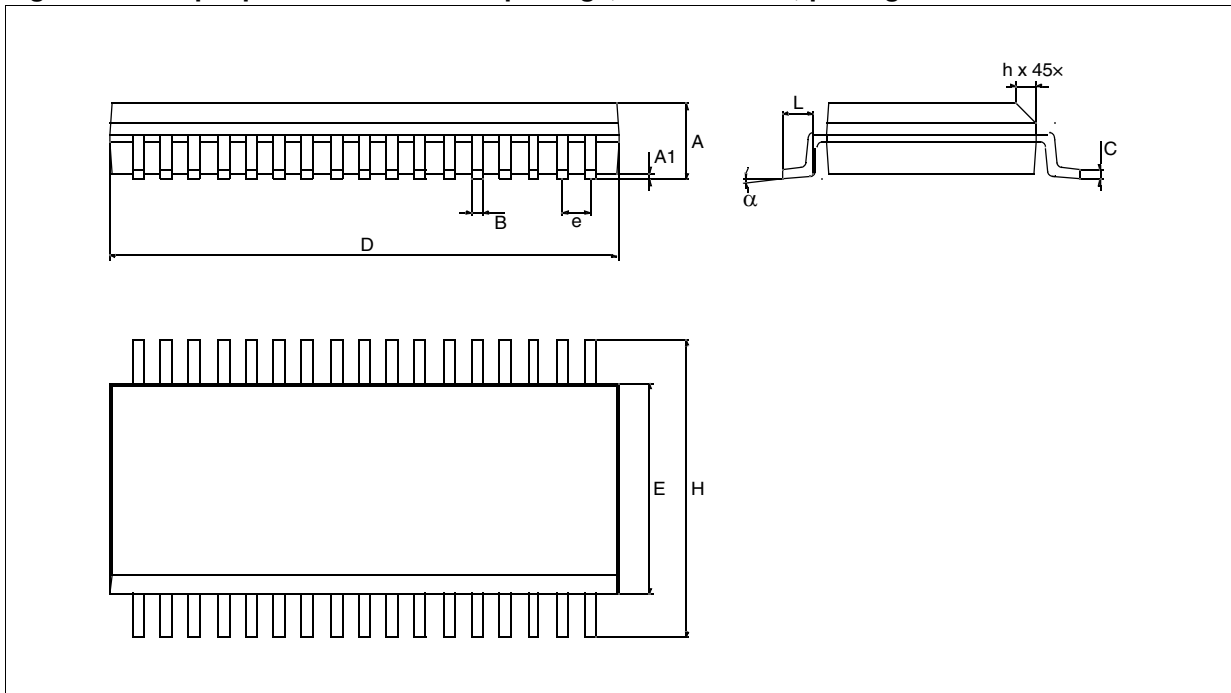


Table 81. 34-pin plastic small outline package, 300-mil width, package mechanical data

Dim.	mm			inches <sup>(1)</sup>		
	Min	Typ	Max	Min	Typ	Max
A	2.464		2.642	0.0970		0.1040
A1	0.127		0.292	0.0050		0.0120
B	0.356		0.483	0.0140		0.0190
C	0.231		0.318	0.0090		0.0130
D	17.729		18.059	0.6980		0.7110
E	7.417		7.595	0.2920		0.2990
e		1.016			0.0400	
H	10.160		10.414	0.4000		0.4100
h	0.635		0.737	0.0250		0.0290
$\alpha$	0°		8°	0°		8°
L	0.610		1.016	0.0240		0.0400
	Number of pins					
N	34					

1. Values in inches are converted from mm and rounded to 4 decimal digits.

Figure 81. 24-pin plastic small outline package, 300-mil width package outline

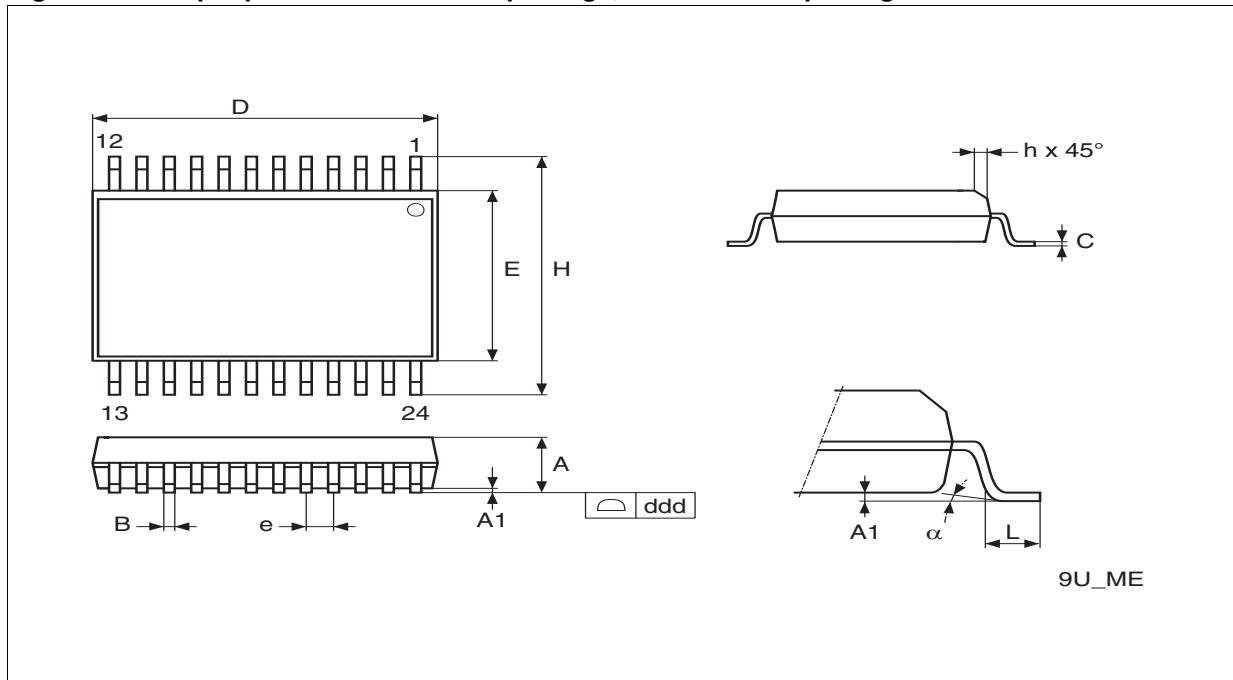


Table 82. 24-pin plastic small outline package, 300-mil width package mechanical data

Dim.	mm			inches <sup>(1)</sup>		
	Min	Typ	Max	Min	Typ	Max
A	2.350		2.650	0.0930		0.1040
A1	0.100		0.300	0.0040		0.0120
B	0.330		0.510	0.0130		0.0200
C	0.230		0.320	0.0090		0.0130
D	15.200		15.600	0.5990		0.6140
E	7.400		7.600	0.2910		0.2990
e		1.270			0.0500	
H	10.000		10.650	0.3940		0.4190
h	0.250		0.750	0.0100		0.0300
$\alpha$	0°		8°	0°		8°
L	0.400		1.270	0.0160		0.0500
ddd	0.100			0.0040		
	Number of pins					
N	24					

1. Values in inches are converted from mm and rounded to 4 decimal digits.



Figure 82. 48-pin low profile quad flat package outline

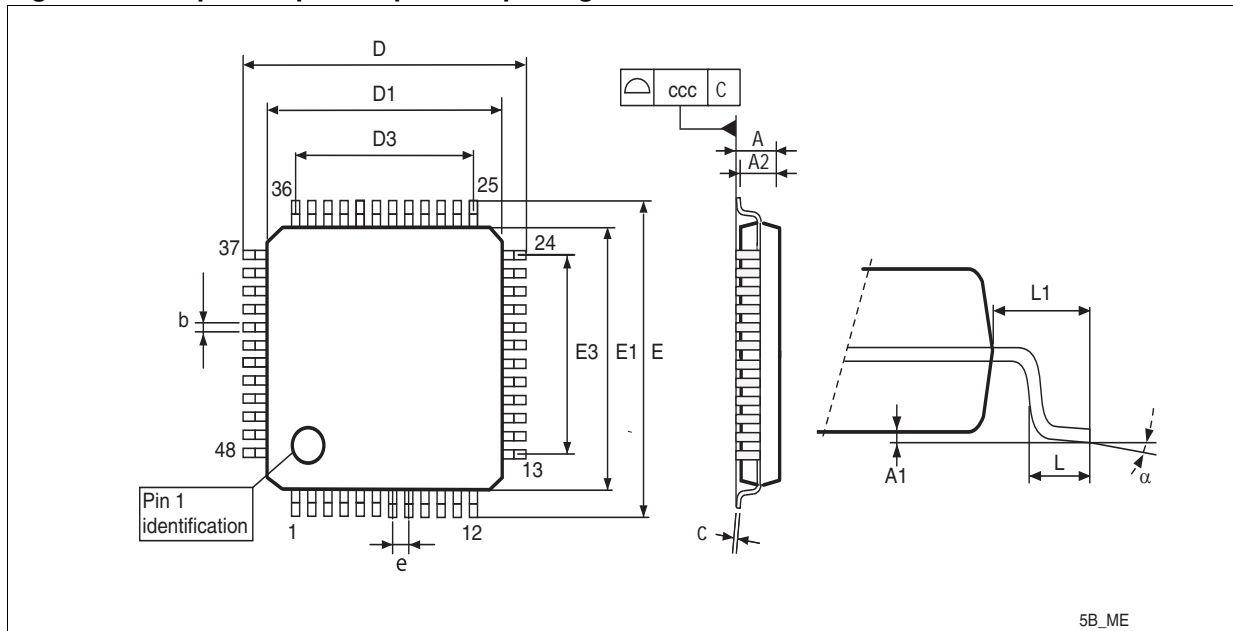


Table 83. 48-pin low profile quad flat package mechanical data

Dim.	mm			inches <sup>(1)</sup>		
	Min	Typ	Max	Min	Typ	Max
A			1.600			0.0630
A1	0.050		0.150	0.0020		0.0060
A2	1.350	1.400	1.450	0.0530	0.0551	0.0570
b	0.170	0.220	0.270	0.0070	0.0087	0.0110
c	0.090		0.200	0.0040		0.0080
D	8.800	9.000	9.200	0.3465	0.3543	0.3622
D1	6.800	7.000	7.200	0.2677	0.2756	0.2835
D3		5.500			0.2165	
E	8.800	9.000	9.200	0.3465	0.3543	0.3622
E1	6.800	7.000	7.200	0.2677	0.2756	0.2835
E3		5.500			0.2165	
e		0.500			0.0197	
L	0.450	0.600	0.750	0.0177	0.0236	0.0295
L1		1.000			0.0394	
θ	0°	3.5°	7°	0°	3.5°	7°
ccc	0.080			0.0031		
	Number of pins					
N	48					

1. Values in inches are converted from mm and rounded to 4 decimal digits.

Figure 83. 40-lead very thin fine pitch quad flat no-lead package outline

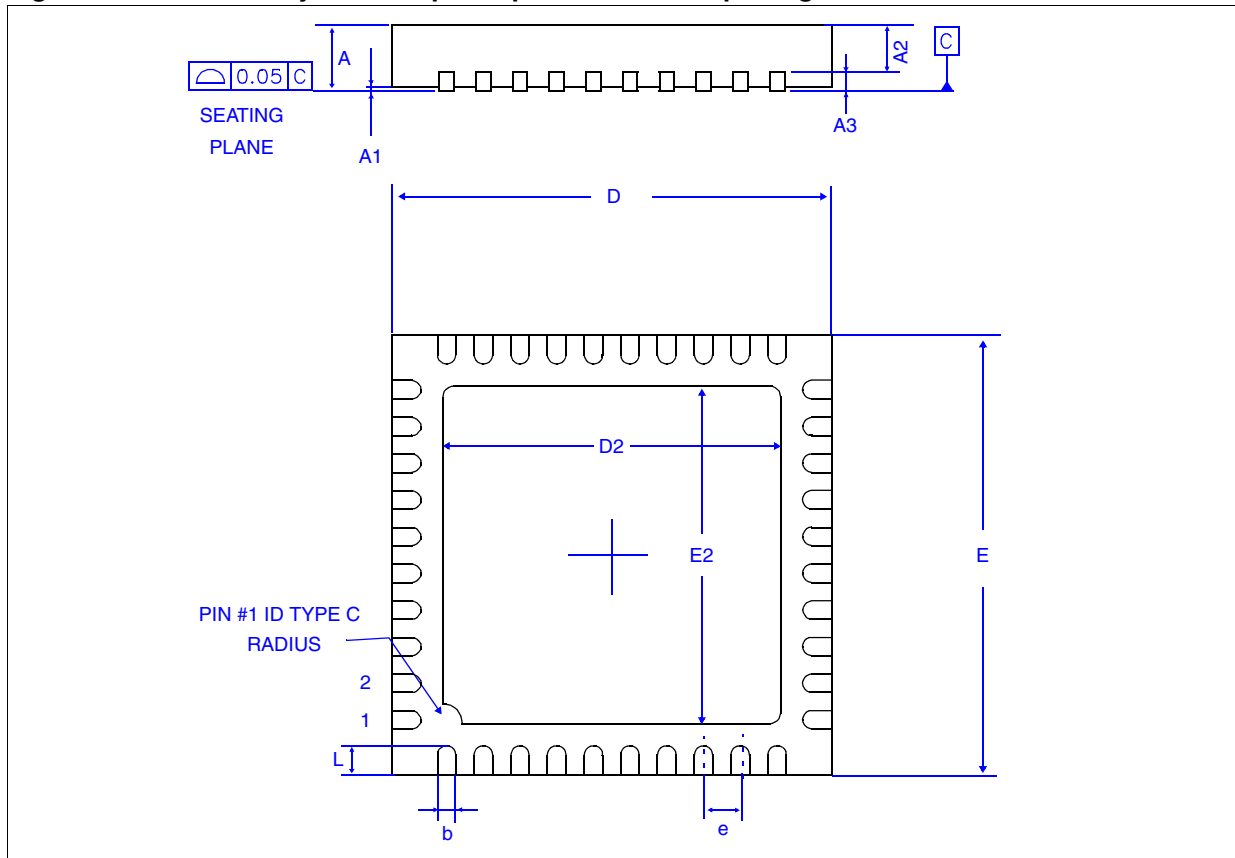


Table 84. 40-lead very thin fine pitch quad flat no-lead package mechanical data

Dim.	mm			inches <sup>(1)</sup>		
	Min	Typ	Max	Min	Typ	Max
A	0.800	0.900	1.000	0.0315	0.0354	0.0394
A1		0.020	0.050		0.0008	0.0020
A2		0.650	1.000		0.0260	0.0390
A3		0.200			0.0080	
b	0.180	0.250	0.300	0.0070	0.0100	0.0120
D	5.850	6.000	6.150	0.2300	0.2360	0.2420
D2	2.750	2.90	3.050	0.1080	0.1140	0.1200
E	5.850	6.000	6.150	0.2300	0.2360	0.2420
E2	2.750	2.900	3.050	0.1080	0.1140	0.1200
e		0.500			0.0200	
L	0.300	0.400	0.500	0.0120	0.0160	0.0200
	Number of pins					
N	40					

1. Values in inches are converted from mm and rounded to 4 decimal digits.

## 14.2 Thermal characteristics

**Table 85. Thermal characteristics**

Symbol	Ratings	Value	Unit
$R_{thJA}$	Package thermal resistance (junction to ambient)		
	SDIP32	60	°C/W
	SO34	75	
	SO24	70	
	LQFP48	80	
	QFN40	34	
$P_D$	Power dissipation <sup>(1)</sup>	500	
$T_{Jmax}$	Maximum junction temperature <sup>(2)</sup>	150	°C

1. The maximum power dissipation is obtained from the formula  $P_D = (T_J - T_A) / R_{thJA}$ . The power dissipation of an application can be defined by the user with the formula:  $P_D = P_{INT} + P_{PORT}$  where  $P_{INT}$  is the chip internal power ( $I_{DD} \times V_{DD}$ ) and  $P_{PORT}$  the port power dissipation depending on the ports used in the application.

2. The maximum chip-junction temperature is based on technology characteristics.

## 14.3 Soldering and glueability information

Recommended glue for SMD plastic packages dedicated to molding compound with silicone:

- Heraeus: PD945, PD955
- Loctite: 3615, 3298

# 15 Device configuration and ordering information

Each device is available for production in user programmable versions (High Density FLASH).

ST72F63B FLASH devices are shipped to customers with a default content (FFh).

This implies that FLASH devices have to be configured by the customer using the Option Byte while the ROM devices are factory-configured.

## 15.1 Option byte

The Option Byte allows the hardware configuration of the microcontroller to be selected.

The Option Byte has no address in the memory map and can be accessed only in programming mode using a standard ST7 programming tool. The default contents of the FLASH is fixed to F7h. This means that all the options have “1” as their default value, except LVD.

In ROM devices, the Option Byte is fixed in hardware by the ROM code.

### Option Byte

7							0
--	--	WDG SW	WD HALT	LVD	--	OSC 24/12	FMP_R

OPT 7:6 Reserved

OPT 5 **WDG SW** *Hardware or Software Watchdog*

This option bit selects the watchdog type.

0: Hardware enabled

1: Software enabled

OPT 4 **WDHALT** *Watchdog and Halt mode*

This option bit determines if a reset is generated when entering Halt mode while the Watchdog is active.

0: No Reset generation when entering Halt mode

1: Reset generation when entering Halt mode

OPT 3 **LVD** *Low voltage detector selection*

This option bit selects the LVD.

0: LVD enabled

1: LVD disabled

*Note: Important: on ST7263BK1M1, ST7263BK2M1, ST7263BK2B1, and ST7263BK2B1 ROM devices, this option bit is forced by ST to 0 (LVD always enabled).*

OPT 2 Reserved.

OPT 1 **OSC24/12** *Oscillator Selection*

This option bit selects the clock divider used to drive the USB interface at 6MHz.

0: 24 MHz oscillator

1: 12 Mhz oscillator

OPT 0 **FMP\_R** Flash memory readout protection

This option indicates if the user flash memory is protected against readout.

Readout protection, when selected, provides a protection against program memory content extraction and against write access to Flash memory. Erasing the option bytes when the FMP\_R option is selected, causes the whole user memory to be erased first and the device can be reprogrammed. Refer to the ST7 Flash Programming Reference Manual and [Section 4.3.1: Readout protection](#) for more details.

0: Readout protection enabled

1: Readout protection disabled

## 15.2 Device ordering information and transfer of customer code

Customer code is made up of the ROM contents and the list of the selected options (if any). The ROM contents are to be sent on diskette, or by electronic means, with the hexadecimal file in .S19 format generated by the development tool. All unused bytes must be set to FFh.

The selected options are communicated to STMicroelectronics using the correctly completed option list appended (see [Section 15.2](#)).

Refer to application note AN1635 for information on the counter listing returned by ST after code has been transferred.

The STMicroelectronics Sales Organization will be pleased to provide detailed information on contractual points.

**Table 86. Supported order codes**

Sales type <sup>(1)(2)</sup>	Program memory (bytes)	RAM (bytes)	Package
ST72F63BH6T1	32K Flash	1024	LQFP48
ST72F63BD6U1			QFN40
ST72F63BK6M1			SO34
ST72F63BK6B1			SDIP32
ST72F63BE6M1			SO24
ST72F63BH4T1	16K Flash	512	LQFP48
ST72F63BK4M1			SO34
ST72F63BK4B1			SDIP32
ST72F63BE4M1			SO24

Table 86. Supported order codes (continued)

Sales type <sup>(1)(2)</sup>	Program memory (bytes)	RAM (bytes)	Package
ST72F63BH2T1	8K Flash	384	LQFP48
ST72F63BK2U1			QFN40
ST72F63BK2M1			SO34
ST72F63BK2B1			SDIP32
ST72F63BE2M1			SO24
ST72F63BK1M1	4K Flash	384	SO34
ST72F63BK1B1			SDIP32
ST72F63BE1M1			SO24
ST7263BK2M1/xxx	8K ROM	384	SO34
ST7263BK2B1/xxx			SDIP32
ST7263BK1M1/xxx	4K ROM	384	SO34
ST7263BK1B1/xxx			SDIP32

1. /xxx stands for the ROM code name assigned by STMicroelectronics.

2. Contact ST sales office for FASTROM product availability.

## 15.3 Development tools

Development tools for the ST7 microcontrollers include a complete range of hardware systems and software tools from STMicroelectronics and third-party tool suppliers. The range of tools includes solutions to help you evaluate microcontroller peripherals, develop and debug your application, and program your microcontrollers.

### 15.3.1 Evaluation tools and starter kits

ST offers complete, affordable **starter kits** and full-featured **evaluation boards** that allow you to evaluate microcontroller features and quickly start developing ST7 applications. Starter kits are complete, affordable hardware/software tool packages that include features and samples to help you quickly start developing your application. ST evaluation boards are open-design, embedded systems, which are developed and documented to serve as references for your application design. They include sample application software to help you demonstrate, learn about and implement your ST7's features.

### 15.3.2 Development and debugging tools

Application development for ST7 is supported by fully optimizing **C Compilers** and the **ST7 Assembler-Linker** toolchain, which are all seamlessly integrated in the ST7 integrated development environments in order to facilitate the debugging and fine-tuning of your application. The Cosmic C Compiler is available in a free version that outputs up to 16K of code.

The range of hardware tools includes full-featured **ST7-EMU3 series emulators** and the low-cost **RLink** in-circuit debugger/programmer. These tools are supported by the **ST7 Toolset** from STMicroelectronics, which includes the STVD7 integrated development

environment (IDE) with high-level language debugger, editor, project manager and integrated programming interface.

### 15.3.3 Programming tools

During the development cycle, the **ST7-EMU3 series emulators** and the **RLink** provide in-circuit programming capability for programming the Flash microcontroller on your application board.

In addition ST provides dedicated programming tools including the **ST7-EPB programming boards**, which include all the sockets required to program any of the devices in a specific ST7 sub-family.

For production programming of ST7 devices, ST's third-party tool partners also provide a complete range of gang and automated programming solutions, which are ready to integrate into your production environment.

### 15.3.4 Order codes for ST7263Bx development tools

**Table 87. Development tool order codes for the ST7263Bx family**

MCU	Starter kit	Evaluation board	Emulator	In-circuit debugger/programmer	Dedicated programmer
ST7263Bx	ST72F63B-SK/RAIS	ST7MDTULS-EVAL	ST7MDTU3-EMU3	STX-RLINK	ST7MDTU3-EPB

For additional ordering codes for spare parts and accessories, refer to the online product selector at [www.st.com/mcu](http://www.st.com/mcu).

Figure 84. Option list

```

ST7263B MICROCONTROLLER OPTION LIST
(Last update: May 2009)

Customer: . . . . .
Address: . . . . .
Contact: . . . . .
Phone No: . . . . .
Reference : . . . . .

ROM code must be sent in .S19 format.
Hex extension cannot be processed.

STMicroelectronics references:

Device Type/Memory Size/Package (check only one option):
-----|-----|-----|-----|-----|
|ROM DEVICE:|      4K|      8K|     16K|     32K|
-----|-----|-----|-----|-----|
SDIP32:    |[ ] ST7263BK1B1|[ ] ST7263BK2B1|
SO34:      |[ ] ST7263BK1M1|[ ] ST7263BK2M1|
-----|-----|-----|-----|
FLASH     |      4K|      8K|     16K|     32K|
-----|-----|-----|-----|
SO24:      |[ ] ST72F63BE1M1|[ ] ST72F63BE2M1|[ ] ST72F63BE4M1|[ ] ST72F63BE6M1|
SDIP32:    |[ ] ST72F63BK1B1|[ ] ST72F63BK2B1|[ ] ST72F63BK4B1|[ ] ST72F63BK6B1|
SO34:      |[ ] ST72F63BK1M1|[ ] ST72F63BK2M1|[ ] ST72F63BK4M1|[ ] ST72F63BK6M1|
QFN40     |         |[ ] ST72F63BK2U1|         |[ ] ST72F63BD6U1|
LQFP48:    |         |[ ] ST72F63BH2T1|[ ] ST72F63BH4T1|[ ] ST72F63BH6T1|
-----|-----|-----|-----|
DIE FORM: |      4K|      8K|     16K|     32K|
-----|-----|-----|-----|
24-pin:    |[ ] (as E1M1) |[ ] (as E2M1) |[ ] (as E4M1) |[ ] (as E6M1) |
32-pin:    |[ ] (as K1B1) |[ ] (as K2B1) |[ ] (as K4B1) |[ ] (as K6B1) |
34-pin:    |[ ] (as K1M1) |[ ] (as K2M1) |[ ] (as K4M1) |[ ] (as K6M1) |
40-pin:    |         |[ ] (as H2U1) |         |[ ] (as D6U1) |
48-pin:    |         |[ ] (as H2T1) |[ ] (as H4T1) |[ ] (as H6T1) |
-----|-----|-----|-----|
Conditioning (check only one option) :
-----|-----|
Packaged Product | Die Product (dice tested at 25°C only) |
-----|-----|
[ ] Tape & Reel (SO package only) | [ ] Tape & Reel
[ ] Tube | [ ] Inked wafer
         | [ ] Sawn wafer on sticky foil
-----|-----|

Special Marking ( ROM only): [ ] No [ ] Yes "-----"
Authorized characters are letters, digits, '.', '-', '/' and spaces only.
For marking, one line is possible with a maximum of 13 characters.

Watchdog Selection: [ ] Software activation [ ] Hardware activation
Halt when Watchdog on: [ ] Reset [ ] No reset
LVD Reset * [ ] Disabled* [ ] Enabled*
* LVD is forced to 0 (LVD always enabled) for 4K and 8K ROM devices
(sales types ST7263BK1B1, ST7263BK2B1, ST7263BK1M1, ST72BK2M1 only)

Oscillator Selection: [ ] 24 MHz. [ ] 12 MHz.
Readout Protection: [ ] Disabled [ ] Enabled

Date . . . . .
Signature . . . . .
    
```



## 15.4 ST7 application notes

**Table 88. ST7 application notes**

Identification	Description
<b>Application examples</b>	
AN1658	Serial Numbering Implementation
AN1720	Managing the Readout Protection in Flash Microcontrollers
AN1755	A High Resolution/precision Thermometer Using ST7 and NE555
AN1756	Choosing a DALI Implementation Strategy with ST7DALI
AN1812	A High Precision, Low Cost, Single Supply ADC for Positive and Negative input Voltages
<b>Example drivers</b>	
AN 969	SCI Communication Between ST7 and PC
AN 971	I <sup>2</sup> C Communication Between ST7 and M24Cxx EEPROM
AN 973	SCI Software Communication with a PC Using ST72251 16-Bit Timer
AN 974	Real Time Clock with ST7 Timer output Compare
AN 976	Driving a Buzzer Through ST7 Timer PWM Function
AN 979	Driving an Analog Keyboard with the ST7 ADC
AN 980	ST7 Keypad Decoding Techniques, Implementing wakeup on Keystroke
AN1017	Using the ST7 Universal Serial Bus Microcontroller
AN1041	Using ST7 PWM Signal to Generate Analog output (Sinusoid)
AN1042	ST7 Routine for I <sup>2</sup> C Slave mode Management
AN1044	Multiple Interrupt Sources Management for ST7 MCUs
AN1045	ST7 S/W Implementation of I <sup>2</sup> C Bus Master
AN1046	UART Emulation Software
AN1047	Managing Reception Errors with the ST7 SCI Peripherals
AN1048	ST7 Software LCD Driver
AN1078	PWM Duty Cycle Switch Implementing True 0% & 100% Duty Cycle
AN1082	Description of the ST72141 Motor Control Peripherals registers
AN1083	ST72141 BLDC Motor Control Software and Flowchart Example
AN1105	ST7 pCAN Peripheral Driver
AN1129	PWM Management for BLDC Motor Drives Using the ST72141
AN1130	An Introduction to Sensorless Brushless DC Motor Drive Applications with the ST72141
AN1148	Using the ST7263 for Designing a USB Mouse
AN1149	Handling Suspend mode on a USB Mouse
AN1180	Using the ST7263 Kit to Implement a USB Game Pad

**Table 88. ST7 application notes (continued)**

Identification	Description
AN1276	BLDC Motor Start Routine for the ST72141 Microcontroller
AN1321	Using the ST72141 Motor Control MCU in Sensor mode
AN1325	Using the ST7 USB LOW-SPEED Firmware V4.x
AN1445	Emulated 16-bit Slave SPI
AN1475	Developing an ST7265X Mass Storage Application
AN1504	Starting a PWM Signal Directly at High Level Using the ST7 16-bit Timer
AN1602	16-bit Timing Operations Using ST7262 or ST7263B ST7 USB MCUs
AN1633	Device Firmware Upgrade (DFU) Implementation in ST7 Non-USB Applications
AN1712	Generating a High Resolution Sinewave Using ST7 PWMART
AN1713	SMBus Slave Driver for ST7 I <sup>2</sup> C Peripherals
AN1753	Software UART Using 12-bit ART
AN1947	ST7MC PMAC Sine Wave Motor Control Software Library
<b>General purpose</b>	
AN1476	Low Cost Power Supply for Home Appliances
AN1526	ST7FLITE0 Quick Reference Note
AN1709	EMC Design for ST Microcontrollers
AN1752	ST72324 Quick Reference Note
<b>Product evaluation</b>	
AN 910	Performance Benchmarking
AN 990	ST7 Benefits vs Industry Standard
AN1077	Overview of Enhanced CAN Controllers for ST7 and ST9 MCUs
AN1086	U435 Can-Do Solutions for Car Multiplexing
AN1103	Improved B-EMF detection for Low Speed, Low Voltage with ST72141
AN1150	Benchmark ST72 vs PC16
AN1151	Performance Comparison Between ST72254 & PC16F876
AN1278	LIN (Local Interconnect Network) Solutions
<b>Product migration</b>	
AN1131	Migrating Applications from ST72511/311/214/124 to ST72521/321/324
AN1322	Migrating an Application from ST7263 Rev.B to ST7263B
AN1365	Guidelines for Migrating ST72C254 Applications to ST72F264
AN1604	How to Use ST7MDT1-TRAIN with ST72F264
AN2200	Guidelines for Migrating ST7LITE1x Applications to ST7FLITE1xB
<b>Product optimization</b>	
AN 982	Using ST7 with Ceramic Resonator

**Table 88. ST7 application notes (continued)**

Identification	Description
AN1014	How to Minimize the ST7 Power Consumption
AN1015	Software Techniques for Improving Microcontroller EMC Performance
AN1040	Monitoring the Vbus Signal for USB Self-Powered Devices
AN1070	ST7 Checksum Self-Checking Capability
AN1181	Electrostatic Discharge Sensitive Measurement
AN1324	Calibrating the RC Oscillator of the ST7FLITE0 MCU Using the Mains
AN1502	Emulated Data EEPROM with ST7 HDFLASH Memory
AN1529	Extending the Current & Voltage Capability on the ST7265 VDDF Supply
AN1530	Accurate Timebase for Low-cost ST7 Applications with Internal RC Oscillator
AN1605	Using an Active RC to Wakeup the ST7LITE0 from Power Saving mode
AN1636	Understanding and Minimizing ADC Conversion Errors
AN1828	PIR (Passive Infrared) Detector Using the ST7FLITE05/09/SUPERLITE
AN1946	Sensorless BLDC Motor Control and BEMF Sampling Methods with ST7MC
AN1953	PFC for ST7MC Starter Kit
AN1971	ST7LITE0 Microcontrolled Ballast
<b>Programming and tools</b>	
AN 978	ST7 Visual DeVELOP Software Key Debugging Features
AN 983	Key Features of the Cosmic ST7 C-Compiler Package
AN 985	Executing Code In ST7 RAM
AN 986	Using the Indirect Addressing mode with ST7
AN 987	ST7 Serial Test Controller Programming
AN 988	Starting with ST7 Assembly Tool Chain
AN1039	ST7 Math Utility Routines
AN1071	Half Duplex USB-to-Serial Bridge Using the ST72611 USB Microcontroller
AN1106	Translating Assembly Code from HC05 to ST7
AN1179	Programming ST7 Flash Microcontrollers in Remote ISP mode (In-situ Programming)
AN1446	Using the ST72521 Emulator to Debug an ST72324 Target Application
AN1477	Emulated Data EEPROM with Xflash Memory
AN1527	Developing a USB Smartcard Reader with ST7SCR
AN1575	On-Board Programming Methods for XFLASH and HDFLASH ST7 MCUs
AN1576	In-application Programming (IAP) Drivers for ST7 HDFLASH or XFLASH MCUs
AN1577	Device Firmware Upgrade (DFU) Implementation for ST7 USB Applications
AN1601	Software Implementation for ST7DALI-EVAL
AN1603	Using the ST7 USB Device Firmware Upgrade Development Kit (DFU-DK)

**Table 88. ST7 application notes (continued)**

Identification	Description
AN1635	ST7 Customer ROM Code Release Information
AN1754	Data Logging Program for Testing ST7 Applications via I <sup>2</sup> C
AN1796	Field Updates for FLASH Based ST7 Applications Using a PC Comm Port
AN1900	Hardware Implementation for ST7DALI-EVAL
AN1904	ST7MC Three-phase AC Induction Motor Control Software Library
AN1905	ST7MC Three-phase BLDC Motor Control Software Library
<b>System Optimization</b>	
AN1711	Software Techniques for Compensating ST7 ADC Errors
AN1827	Implementation of SIGMA-DELTA ADC with ST7FLITE05/09
AN2009	PWM Management for 3-Phase BLDC Motor Drives Using the ST7FMC
AN2030	Back EMF Detection During PWM On Time by ST7MC

## 16 Known limitations

### 16.1 PA2 limitation with OCMP1 enabled

#### Description

This limitation affects only Rev B Flash devices (with Internal Sales Type 72F63Bxxxxx\$7); it has been corrected in Rev W Flash devices (with Internal Sales Type 72F63Bxxxxx\$9).

*Note:* Refer to [Figure 85 on page 183](#)

When output Compare 1 function (OCMP1) on pin PA6 is enabled by setting the OC1E bit in the TCR2 register, pin PA2 is also affected.

In particular, PA2 is switched to its alternate function mode, SCL. As a consequence, the PA2 pin is forced to be floating (steady level of I<sup>2</sup>C clock) even if port configuration (PADDR+PADR) has set it as output low. However, it can be still used as an input or can be controlled by the I<sup>2</sup>C cell when enabled (where I<sup>2</sup>C is available).

### 16.2 Unexpected RESET fetch

#### Description

If an interrupt request occurs while a "POP CC" instruction is executed, the interrupt controller does not recognise the source of the interrupt and, by default, passes the RESET vector address to the CPU.

#### Workaround

To solve this issue, a "POP CC" instruction must always be preceded by a "SIM" instruction.

### 16.3 USB behavior with LVD disabled

#### Description

If the LVD is disabled on 4K and 8K ROM devices (ST7263BK1M1, ST72BK2M1, ST7263BKB1, ST7263BK2B1 only), the USB is disabled by hardware. The LVD is consequently forced by ST to '0' (LVD enabled). Refer to the ST7263Bx option list for details.

### 16.4 I<sup>2</sup>C multimaster

#### Description

In multimaster configurations, if the ST7 I<sup>2</sup>C receives a START condition from another I<sup>2</sup>C master after the START bit is set in the I2CCR register and before the START condition is generated by the ST7 I<sup>2</sup>C, it may ignore the START condition from the other I<sup>2</sup>C master. In this case, the ST7 master will receive a NACK from the other device. On reception of the NACK, ST7 can send a re-start and Slave address to re-initiate communication

## 16.5 Halt mode power consumption with ADC on

### Description

If the A/D converter is being used when Halt mode is entered, the power consumption in Halt mode may exceed the maximum specified in the datasheet.

### Workaround

Switch off the ADC by software (ADON=0) before executing a HALT instruction.

## 16.6 SCI wrong BREAK duration

### Description

A single break character is sent by setting and resetting the SBK bit in the SCICR2 register. In some cases, the break character may have a longer duration than expected:

- 20 bits instead of 10 bits if M=0
- 22 bits instead of 11 bits if M=1.

In the same way, as long as the SBK bit is set, break characters are sent to the TDO pin. This may generate one break more than expected.

### Occurrence

The occurrence of the problem is random and proportional to the baudrate. With a transmit frequency of 19200 baud (fCPU=8MHz and SCIBRR=0xC9), the wrong break duration occurrence is around 1%.

### Workaround

If this wrong duration is not compliant with the communication protocol in the application, software can request that an Idle line be generated before the break character. In this case, the break duration is always correct assuming the application is not doing anything between the idle and the break. This can be ensured by temporarily disabling interrupts.

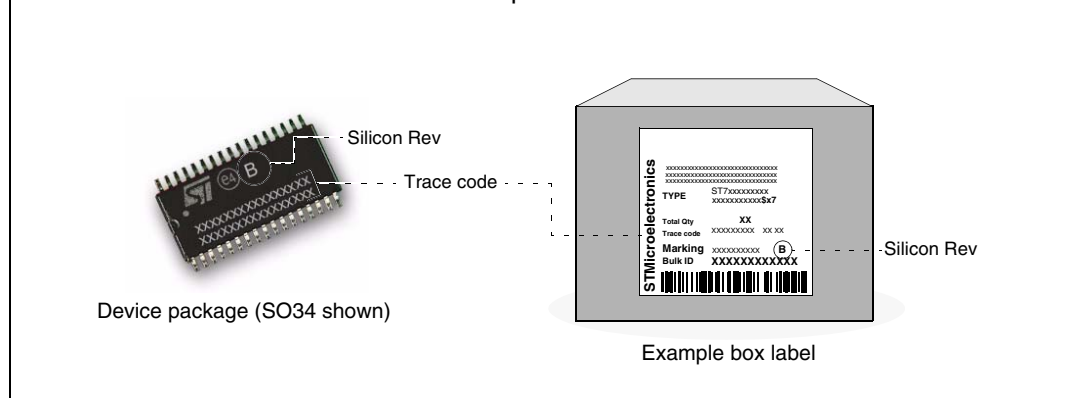
The exact sequence is:

1. Disable interrupts
2. Reset and Set TE (IDLE request)
3. Set and Reset SBK (Break Request)
4. Re-enable interrupts

**Figure 85. Identifying silicon revision from device marking and box label**

The silicon revision can be identified either by Rev letter or obtained via a trace code.

1. Identify the silicon revision letter from either the device package or the box label.  
For example, "B", etc.
2. If the revision letter is not present, obtain the silicon revision by contacting your local ST office with the trace code information printed on either the box label or the device



# 17 Revision history

**Table 89. Document revision history**

Date	Revision	Changes
27-May-05	3	<p>New revision created by merging 32K Flash and non-32K Flash datasheets together. Memory Map, <a href="#">Figure 7</a>, expanded to handle all devices and memory sizes. Operating conditions with LVD values modified, <a href="#">Section 13.3.1: Operating conditions with low voltage detector (LVD)</a>.</p> <p>Supply current characteristics values and notes updated, <a href="#">Section 13.4: Supply current characteristics</a>. IDD Run and Wait graphs replaced, <a href="#">Figure 55</a> and <a href="#">Figure 56 on page 143</a>. Control timing characteristics modified, <a href="#">Section Table 62.: Control timing characteristics</a>. Flash memory table notes and <math>t_{PROG}</math> typical value updated, <a href="#">Section 13.6.1: Flash memory</a>. Notes added for I/O Port Pin Characteristics table, <a href="#">Section Table 70.: General characteristics</a>. Note for <math>R_{PU}</math> modified, removing reference to data characterization, <a href="#">Section Table 70</a>. <math>I_{PU}</math> and <math>R_{PU}</math> graphs added, <a href="#">Figure 61</a> and <a href="#">Figure 62 on page 150</a>. Notes updated for USB low speed electrical characteristics. Output voltage/current graphs added, Figures <a href="#">Figure 63.-Figure 72</a>. Thermal Characteristics added for SO24 and TQFP48 packages, <a href="#">Section 14.2: Thermal characteristics</a>. Important note added for OPT 3 Option Byte (LVD), <a href="#">Section 15.1: Option byte</a>.</p> <p>Supported Part Numbers table updated with full sales type codes, <a href="#">Table 86</a>. Option List updated with all device options.</p> <p>Important notes updated with 'USB behavior with LVD disabled', <a href="#">Section 16.3: USB behavior with LVD disabled</a>. Clock block diagram redrawn, <a href="#">Figure 18 on page 36</a>. DFU added to title and features list. Removed unnecessary notes related to Typical Values (already mentioned in <a href="#">Section 13.1.2: Typical values</a>) in electrical characteristic tables sections: <a href="#">Section 13.3.1</a>, <a href="#">Section 13.4</a>, <a href="#">Section 13.6.1</a>, <a href="#">Section Table 70.</a>, <a href="#">Section Table 72.</a> and <a href="#">Section 13.11</a>. Added note for max values in ADC Accuracy, <a href="#">Section 13.11</a>. Static Latch Up (LU) class tested only for <math>T_A=25^{\circ}C</math>, <a href="#">Section : Static latchup (LU)</a></p>
19-Sep-05	4	<p>Flash memory minimum data retention increased to 40 years, <a href="#">Section 13.6.1: Flash memory</a></p> <p>AF bit text modified concerning SCL, I<sup>2</sup>C chapter <a href="#">Section 11.5.7: Register description</a></p> <p>Reference made to the Flash Programming Reference Manual for Flash timing values</p> <p>Reset pulse generated by WDG changed to 30 <math>\mu s</math>, <a href="#">Section 11.1: Watchdog timer (WDG)</a></p> <p>Modified text in <a href="#">Section 11.3: Serial communications interface (SCI)</a>, adding Parity error as an interrupt</p> <p>Added ECOPACK information in <a href="#">Section 14: Package characteristics</a></p> <p>Modified <math>I_S</math> value and corresponding note in <a href="#">Section Table 70.: General characteristics</a></p>
06-Apr-06	5	<p>32K and 8K QFN40 Packages added</p> <p>4K SO24 Package added</p> <p>TQFP package renamed to LQFP</p>



Table 89. Document revision history (continued)

Date	Revision	Changes
03-Oct-06	6	Important Notes section renamed to Known Limitations, <a href="#">Section 16: Known limitations</a> New PA2 limitation added, <a href="#">Section 16: Known limitations</a> <a href="#">Figure 85 on page 183</a> added for silicon revision identification
20-Aug-07	7	New 16K LQFP48 package added to product family. Note added to V <sub>OH</sub> data in <a href="#">Section Table 71.: Output driving current</a> List of supported partnumber availability updated, <a href="#">Table 86</a> Download address updated in <a href="#">Section 15.3.4: Order codes for ST7263Bx development tools</a> and Option list.
12-Jun-2009	8	Removed FASTROM devices as well as 32 and 16 Kbyte ROM devices. Added caution note in <a href="#">Section 6.1: Reset</a> . Replaced CCR by CC (Condition Code) register when the I bit is concerned. Updated alternate function condition for PB4 to PB7 in <a href="#">Table 13: Port B description</a> . Renamed t <sub>DOG</sub> and T <sub>DOGL</sub> , t <sub>WDG</sub> and t <sub>WDGL</sub> . Removed EMC protective circuitry in <a href="#">Figure 74: RESET pin protection when LVD is disabled</a> (device works correctly without these components). Removed all mentions to SPI interface. Removed dynamic latchup in <a href="#">Section 13.7.3: Absolute maximum ratings (electrical sensitivity)</a> . Modified notes below <a href="#">Table 85: Thermal characteristics</a> . Update <a href="#">Table 86: Supported order codes</a> and <a href="#">Figure 84: Option list</a> . Updated ECOPACK text, and removed recommended wave soldering profile and recommended reflow soldering oven profile, in <a href="#">Section 14: Package characteristics</a> .

**Please Read Carefully:**

Information in this document is provided solely in connection with ST products. STMicroelectronics NV and its subsidiaries ("ST") reserve the right to make changes, corrections, modifications or improvements, to this document, and the products and services described herein at any time, without notice.

All ST products are sold pursuant to ST's terms and conditions of sale.

Purchasers are solely responsible for the choice, selection and use of the ST products and services described herein, and ST assumes no liability whatsoever relating to the choice, selection or use of the ST products and services described herein.

No license, express or implied, by estoppel or otherwise, to any intellectual property rights is granted under this document. If any part of this document refers to any third party products or services it shall not be deemed a license grant by ST for the use of such third party products or services, or any intellectual property contained therein or considered as a warranty covering the use in any manner whatsoever of such third party products or services or any intellectual property contained therein.

**UNLESS OTHERWISE SET FORTH IN ST'S TERMS AND CONDITIONS OF SALE ST DISCLAIMS ANY EXPRESS OR IMPLIED WARRANTY WITH RESPECT TO THE USE AND/OR SALE OF ST PRODUCTS INCLUDING WITHOUT LIMITATION IMPLIED WARRANTIES OF MERCHANTABILITY, FITNESS FOR A PARTICULAR PURPOSE (AND THEIR EQUIVALENTS UNDER THE LAWS OF ANY JURISDICTION), OR INFRINGEMENT OF ANY PATENT, COPYRIGHT OR OTHER INTELLECTUAL PROPERTY RIGHT.**

**UNLESS EXPRESSLY APPROVED IN WRITING BY AN AUTHORIZED ST REPRESENTATIVE, ST PRODUCTS ARE NOT RECOMMENDED, AUTHORIZED OR WARRANTED FOR USE IN MILITARY, AIR CRAFT, SPACE, LIFE SAVING, OR LIFE SUSTAINING APPLICATIONS, NOR IN PRODUCTS OR SYSTEMS WHERE FAILURE OR MALFUNCTION MAY RESULT IN PERSONAL INJURY, DEATH, OR SEVERE PROPERTY OR ENVIRONMENTAL DAMAGE. ST PRODUCTS WHICH ARE NOT SPECIFIED AS "AUTOMOTIVE GRADE" MAY ONLY BE USED IN AUTOMOTIVE APPLICATIONS AT USER'S OWN RISK.**

Resale of ST products with provisions different from the statements and/or technical features set forth in this document shall immediately void any warranty granted by ST for the ST product or service described herein and shall not create or extend in any manner whatsoever, any liability of ST.

ST and the ST logo are trademarks or registered trademarks of ST in various countries.

Information in this document supersedes and replaces all information previously supplied.

The ST logo is a registered trademark of STMicroelectronics. All other names are the property of their respective owners.

© 2009 STMicroelectronics - All rights reserved

STMicroelectronics group of companies

Australia - Belgium - Brazil - Canada - China - Czech Republic - Finland - France - Germany - Hong Kong - India - Israel - Italy - Japan - Malaysia - Malta - Morocco - Philippines - Singapore - Spain - Sweden - Switzerland - United Kingdom - United States of America

[www.st.com](http://www.st.com)