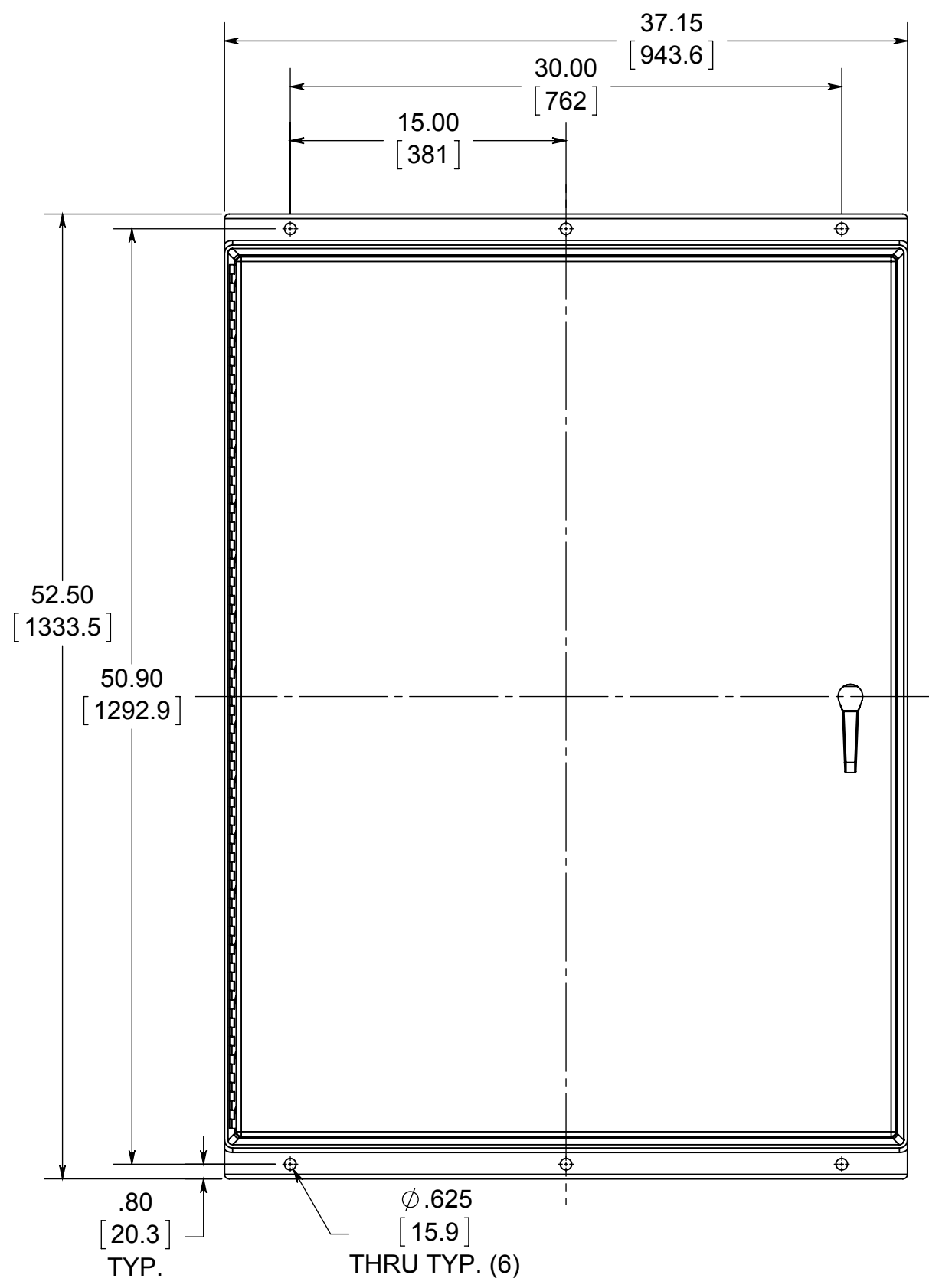
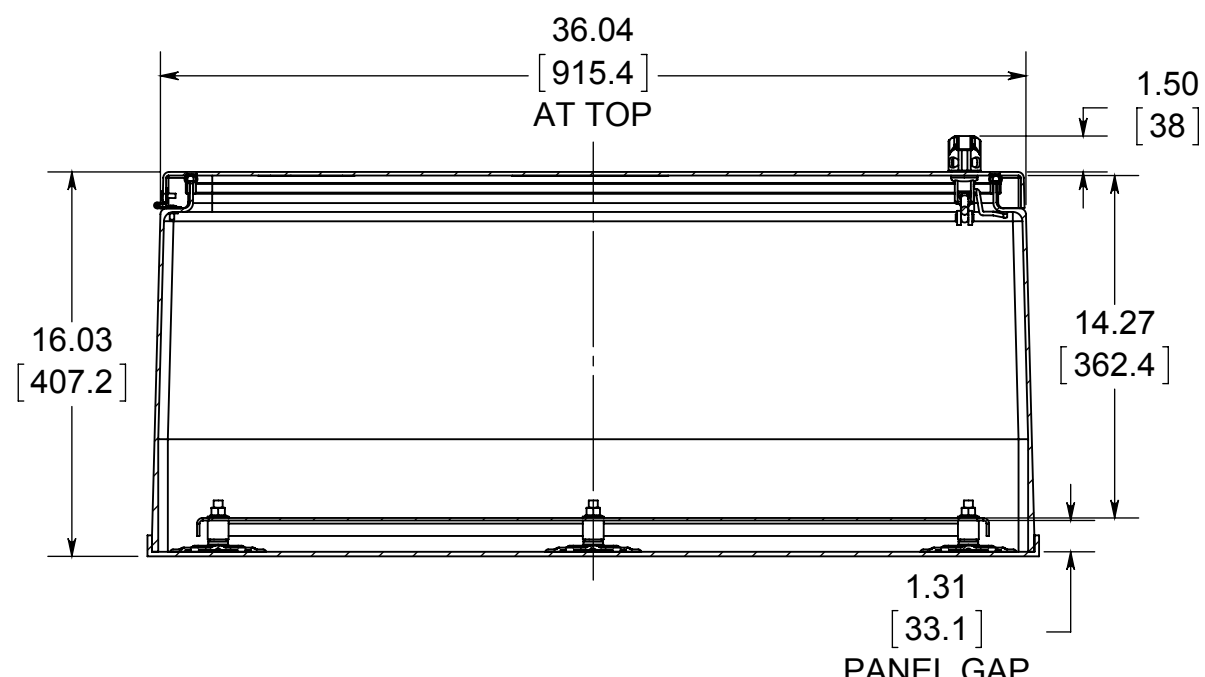


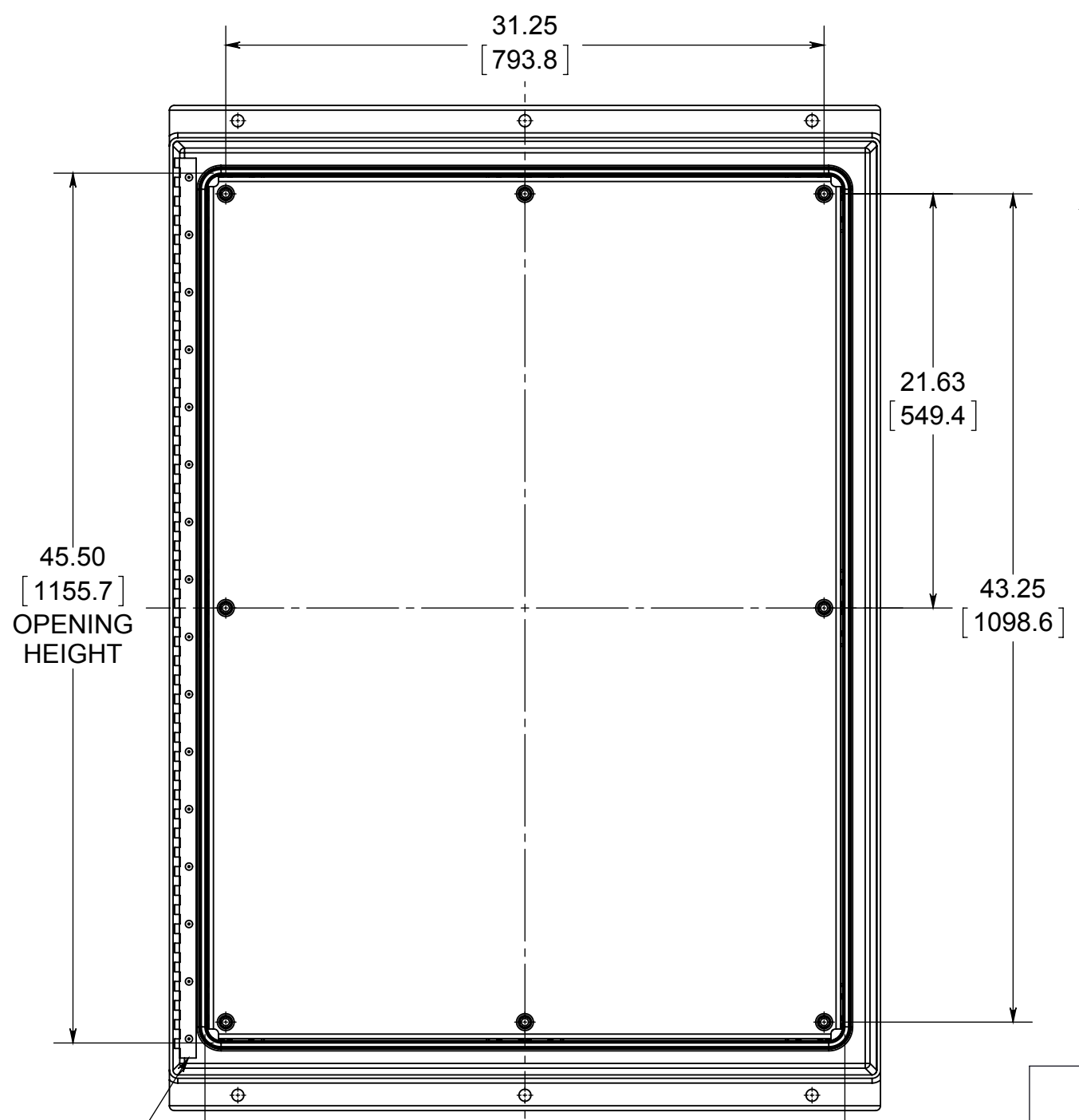
DATE	REV.	DESCRIPTION	DR	CK	REL



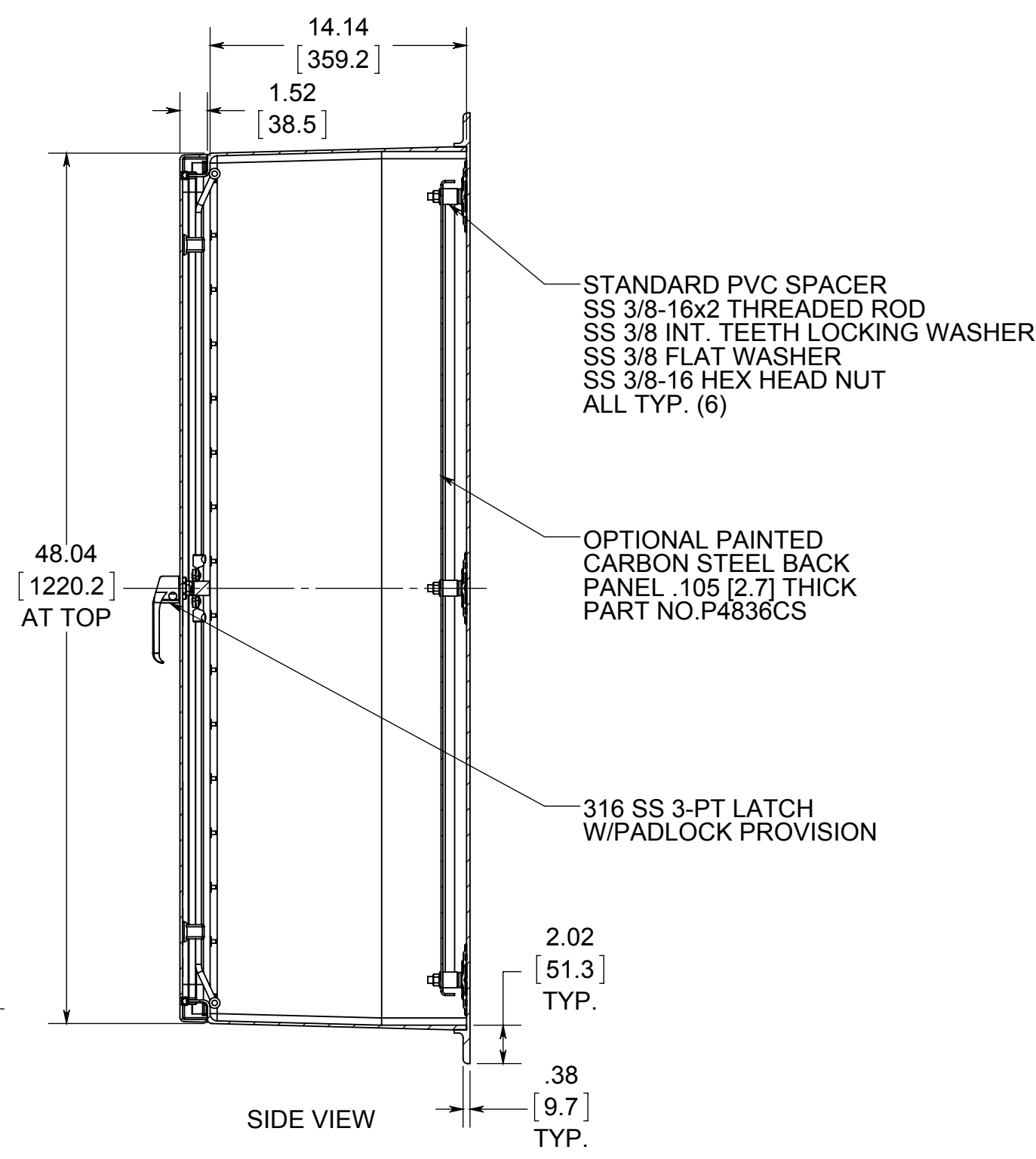
FRONT VIEW WITH COVER



BOTTOM VIEW



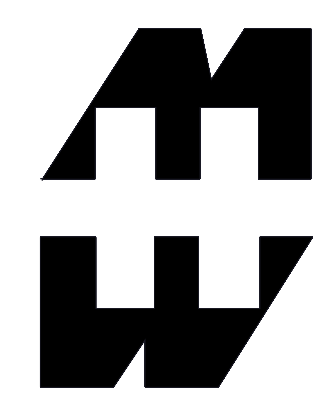
FRONT VIEW WITH COVER REMOVED



SIDE VIEW

NOM. .19 [4.8] WALL THICKNESS

MATERIAL:
 BOX- GEL-COAT, FIBERGLASS, RESIN
 COVER- GEL-COAT, FIBERGLASS, RESIN
 EPDM GASKET SEAL



PART No. PJW483614L3PT
 for more information visit
www.hammfg.com
 Data subject to change without notice
 Drawing Not to Scale