



## 5 Section Lowpass Filter With SMA Female Connectors Operating From 0 MHz To 30 MHz With a 30 MHz Passband

### TECHNICAL DATA SHEET

PE8723

#### 5 Section Lowpass Filter With SMA Female Connectors Operating From 0 MHz To 30 MHz With a 30 MHz Passband

##### Configuration

Connector 1	SMA Female
Connector 2	SMA Female
Passband Frequency Range, MHz	DC to 30

##### Electrical Specifications

Passband Minimum Frequency, KHz	0
Passband Maximum Frequency, MHz	30
Impedance, Ohms	50
Maximum Insertion Loss, dB	1
Passband Maximum VSWR	1.5:1
Maximum Input Power, Watts	5
Rejection at 45 MHz	40 dB
Rejection at 60 MHz	60 dB

##### Mechanical Specifications

###### Size

Length, in [mm]	1.7 [43.18]
Width, in [mm]	0.75 [19.05]
Height, in [mm]	0.65 [16.51]

###### Connector 1

Type	SMA Female
------	------------

###### Connector 2

Type	SMA Female
------	------------

##### Compliance Certifications (visit [www.Pasternack.com](http://www.Pasternack.com) for current document)

RoHS Compliant	Yes
----------------	-----

##### Plotted and Other Data

Notes: Values at 25 °C, sea level

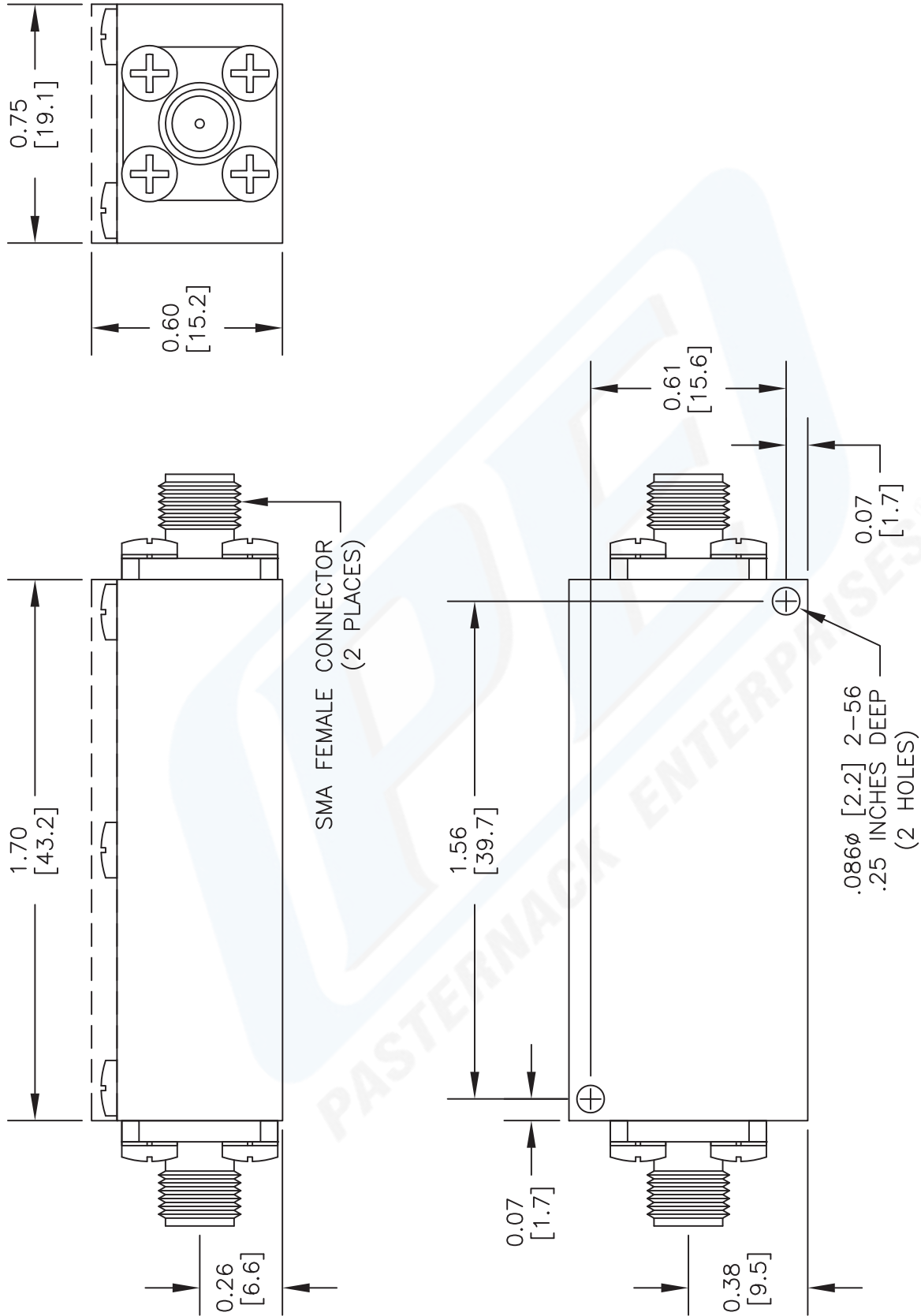
URL: <http://www.pasternack.com/5-section-low-pass-filter-0-mhz-30-mhz-passband-30-mhz-pe8723-p.aspx>

5 Section Lowpass Filter With SMA Female Connectors Operating From 0 MHz To 30 MHz With a 30 MHz Passband from Pasternack Enterprises has same day shipment for domestic and International orders. Our RF, microwave and fiber optic products maintain a 99% availability and are part of the broadest selection in the industry.

The information contained in this document is accurate to the best of our knowledge and representative of the part described herein. It may be necessary to make modifications to the part and/or the documentation of the part, in order to implement improvements. Pasternack reserves the right to make such changes as required. Unless otherwise stated, all specifications are nominal.

# PE8723 CAD Drawing

5 Section Lowpass Filter With SMA Female Connectors Operating  
From 0 MHz To 30 MHz With a 30 MHz Passband



DWG TITLE

**PE8723**

NOTES:  
1. UNLESS OTHERWISE SPECIFIED ALL DIMENSIONS ARE NOMINAL.  
2. ALL SPECIFICATIONS ARE SUBJECT TO CHANGE WITHOUT NOTICE AT ANY TIME.  
3. DIMENSIONS ARE IN INCHES [mm].

**PASTERNAK ENTERPRISES, INC.**

P.O. BOX 16759, IRVINE, CA 92623  
PHONE (949) 261-1920 FAX (949) 261-7451

WEB ADDRESS: [www.pasternack.com](http://www.pasternack.com)  
E-MAIL ADDRESS: [sales@pasternack.com](mailto:sales@pasternack.com)

**COAXIAL & FIBER OPTICS**



**PASTERNAK ENTERPRISES**  
ESTABLISHED 1972

FSCM NO. 53919

CAD FILE 042712

SCALE N/A

SIZE A

2233