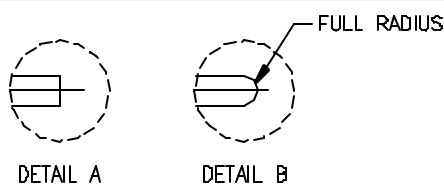
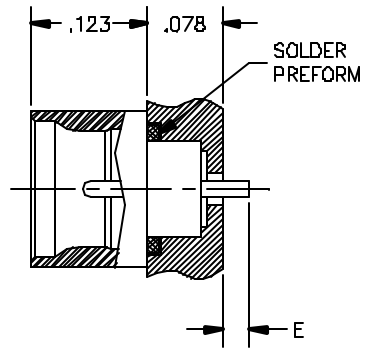
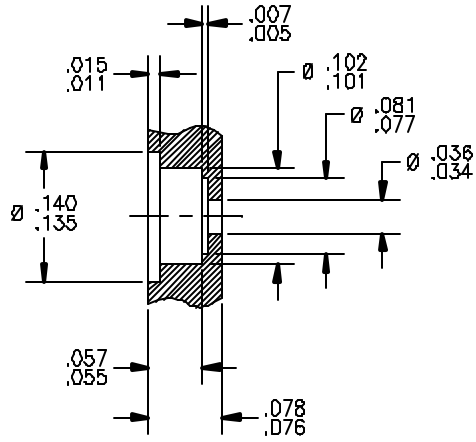
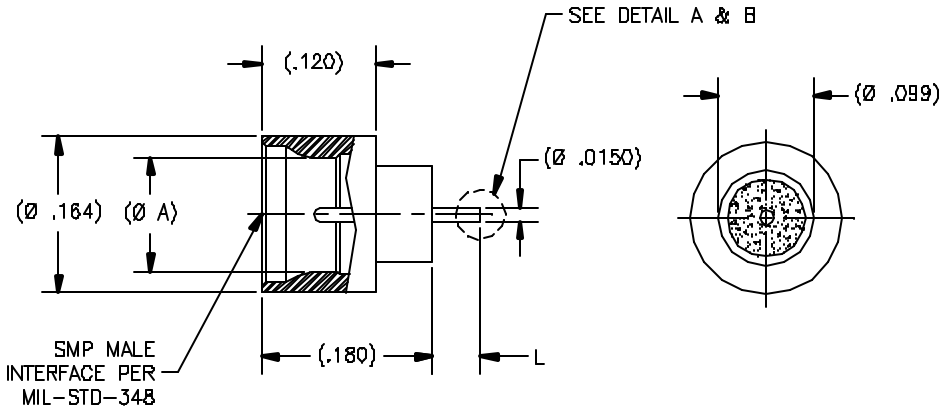


| P/N | INTERFACE(S) | (Ø A) | L | E | DETAIL |
|------|----------------|-------|------|------|--------|
| -1CC | FULL DETENT | .116 | .050 | .030 | A |
| -2CC | LIMITED DETENT | .120 | .050 | .030 | A |
| -3CC | SMOOTH BORE | .125 | .050 | .030 | A |
| -4CC | FULL DETENT | .116 | .240 | .220 | B |
| -5CC | LIMITED DETENT | .120 | .240 | .220 | B |
| -6CC | SMOOTH BORE | .125 | .240 | .220 | B |



| REVISIONS | | | | |
|-----------|-----|--------------------------------|----------|-----|
| ZONE | REV | DESCRIPTION | DATE | BY |
| - | B | ECO 11752 | 06/27/00 | IMG |
| - | C | ECO 12271 | 08/28/00 | IMG |
| - | D | ECO 18822 (ADD -4CC thru -6CC) | 11.02.05 | DKN |



| | | | |
|-------------|------|------|---|
| DRAWING NO. | P682 | REV. | D |
|-------------|------|------|---|

| MATERIAL: | ELECTRICAL: | MECHANICAL: | ENVIRONMENTAL: | | | | | | | | |
|---|--|---|----------------|-----------|-------------------------|-----------|---------------------------|-----------|------------------------|------------|--|
| BODY & CENTER CONDUCTOR: IRON-NIKEL-COBALT SEALING PER ASTM F-15 GLASS: CORNING 7070 | Impedance: 50 Ohms Nom. Freq. Range: DC TO 18 GHz VSWR: 1.10 + .005*f (GHz) Insertion Loss: .035 x √f GHz Working Voltage: 600 Vrms @ Sea Level Dielectric Withstand Voltage: 500 V rms RF HiPot Voltage: 325 Vrms Min @ 5MHz Corona Level: 190 Vrms @ 70,000 ft Insulation Resistance: 5000 Mohms Contact Resistance: 4.0 Milliohms Max RF Leakage: -80 dB max to 3.0 GHz -65 dB max to 18.0 GHz | Interface Dimensions: MIL-STD-34B Connector Durability: Full detent: 100 Cycles Limited Detent: 500 Cycles Smooth Bore: 1000 Cycles Center Contact Retention: 10 lbs Min Axial Force to Engage and Disengage: <table border="0"> <tr> <td>Engage</td> <td>Disengage</td> </tr> <tr> <td>Full detent: 10 lbs max</td> <td>5 lbs min</td> </tr> <tr> <td>Limited Detent: 8 lbs max</td> <td>2 lbs min</td> </tr> <tr> <td>Smooth Bore: 2 lbs max</td> <td>.5 lbs min</td> </tr> </table> | Engage | Disengage | Full detent: 10 lbs max | 5 lbs min | Limited Detent: 8 lbs max | 2 lbs min | Smooth Bore: 2 lbs max | .5 lbs min | Temp. Range: -65°C to +165°C Thermal Shock: MIL-STD-202, Method 107, Test Cond. B Moisture Resistance: MIL-STD-202, Method 106, Insulation resistance at least 200 MegaOhms within 5 minutes after removal from humidity Corrosion: MIL-STD-202, Method 101, Test Cond. B Vibration: MIL-STD-202, Method 204, Test Cond. D Shock: |
| Engage | Disengage | | | | | | | | | | |
| Full detent: 10 lbs max | 5 lbs min | | | | | | | | | | |
| Limited Detent: 8 lbs max | 2 lbs min | | | | | | | | | | |
| Smooth Bore: 2 lbs max | .5 lbs min | | | | | | | | | | |

FINISH:
 BODY & CENTER CONDUCTOR:
 GOLD PLATE PER ASTM B-488 OVER NICKEL PLATE PER AMS-QQ-N-290

| APPLICABLE TENSOLITE DOCUMENTS | | |
|--------------------------------|-----------|-----------|
| WORK STD | FRGD INST | ASSY INST |
| NA | NA | NA |

- TOLERANCES AND NOTES EXCEPT AS NOTED
- DIMENSIONS ARE IN INCHES
 LINEAR .01 ±.0015
 ANGULAR ± 1/2°
 RADIUS ± 1/24
1. MACHINE FINISH ✓ FINE
 2. BREAK ALL SHARP EDGES .005 MAX.
 3. MACHINE FILETS .005 MAX.
 4. MACHINE BURRS TO SPECIFIC DIMENSIONS PER DRAWING.
 5. MACHINE DIMENSIONS CONCENTRIC WITH .02L TOL.
 6. DIMENSIONS TO BE MET BEFORE PLATING.
 7. DIMENSIONS TO BE MET AFTER PLATING.
 8. SURFACE PER MIL-STD-883C.
 9. REMOVE TRAPPED LUBES OR TEFION.
 10. REMOVE ALL BURRS.

NOTICE
 THIS DRAWING INCLUDES A CONFIDENTIAL INVESTMENT DESIGN ORIGINATED BY TENSOLITE COMPANY AND ALL DESIGN INFORMATION REPRESENTATION, USE AND SALE RIGHTS RESERVE. THE DRAWING IS EXPRESSLY RESERVED. IT IS GRANTED UNDER A CONFIDENTIAL RELATIONSHIP FOR A SPECIFIC PURPOSE AND THE RECIPIENT AGREES BY ACCEPTING THIS DRAWING NOT TO DISSEMINATE, REPRODUCE, OR IN ANY MANNER USE THE INFORMATION CONTAINED HEREIN FOR ANY UNAUTHORIZED PURPOSES. ANY INFORMATION IN OTHER PATENT RIGHTS HERETO AND EXPRESSLY RESERVED BY TENSOLITE COMPANY, LONG BEACH, CALIFORNIA 90815.

| MATERIAL | | SIZE | SPECIFICATION | REQUIREMENT |
|-------------------|-----|----------|--|---------------------------|
| NEXT PART | | | | |
| APPROVAL INITIALS | | DATE | TITLE | |
| DRAWN BY | ERD | 02/14/96 | SMP MALE (HERMETIC SEAL) TO STRAIGHT TERMINATION | |
| DESIGNED | | | SCALE | 100% ORIENTATION/RELATIVE |
| DUPLEX | | | SIZE | 10/1 OLP\ |
| ENGINEERING | ATV | 11/02/05 | SHEET | 1 OF 1 |
| | | | REV. | D |

Tensolite HIGH PERFORMANCE CABLES & INTERCONNECT SYSTEMS
 Long Beach, California 90815

SIZE: C 30990 DRAWING NO: P682