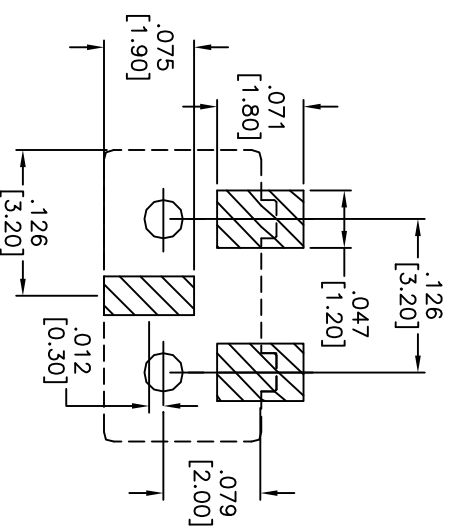
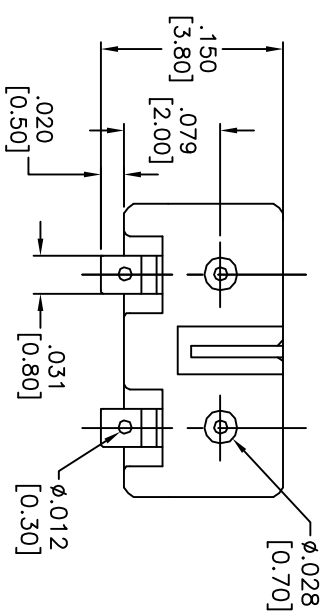
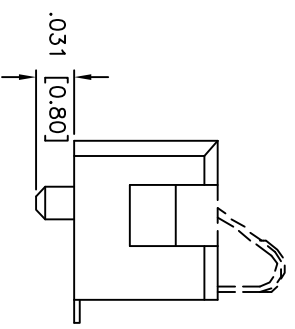
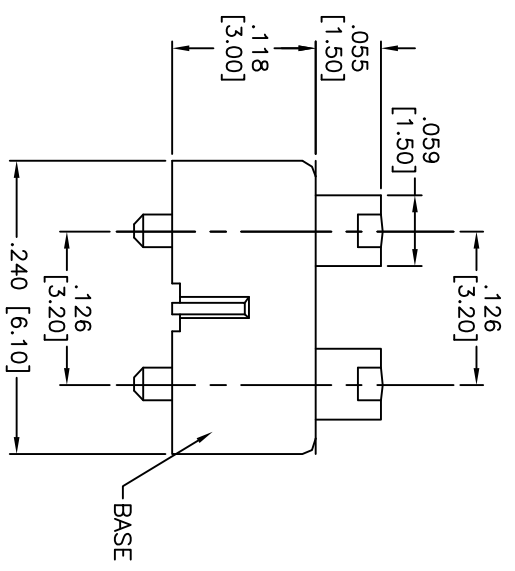


Rev	AWO #	Description	Date	Appr
-		RELEASED	12/14/10	

APPROVED: \_\_\_\_\_  
 DATE: \_\_\_\_\_ TITLE: \_\_\_\_\_



RECOMMENDED PCB LAYOUT

**SPECIFICATION:**

**Material:**  
 Insulator: HI-temp plastic, Rated UL-94V-0  
 Insulator color: Black  
 Contacts: Phosphor Bronze  
**Plating:**  
 Gold flash on contact, solder all over Nickel.

**Electrical:**  
 Current rating: 1.5 Amps max.  
 Contact resistance: 40 mohms max.  
 Insulation resistance: 1000 Mohms min.  
 Dielectric withstanding voltage: 250 VAC for 1 minute  
**Temperature Rating:**  
 Operating temperature range: -30°C ~ +85°C

**Environmental:**  
 Lead free, RoHS compliant.  
 Recommended soldering temp: 260°C for 5 sec.



UNLESS OTHERWISE SPECIFIED ALL DIMENSIONS ARE INCHES [MM]	
TOLERANCES: EXCEPT AS NOTED	
INCHES	HOLDS
.X ± .10	± .10
.XX ± .020	± .015
.XXX ± .015	± .010
APPROVALS	DATE
DRAWN AY	12/14/10
CHECKED VW	12/14/10
APPROVED	

**ADAM TECH**  
 909 Railway Avenue, Union, NJ 07083  
 Phone: 908-687-5000 Fax: 908-687-5710

TITLE: .126 [3.20] PITCH SPEAKER CONNECTOR  
 SMT TYPE

SIZE	PART NO.	SCALE	SHEET 1 OF 1
X	MBC-J-2	NTS	
REF:	S0014TT		