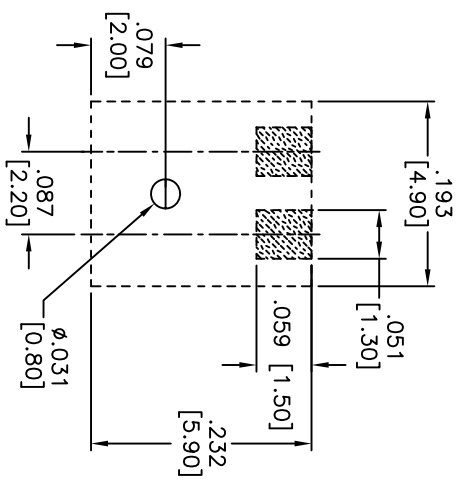
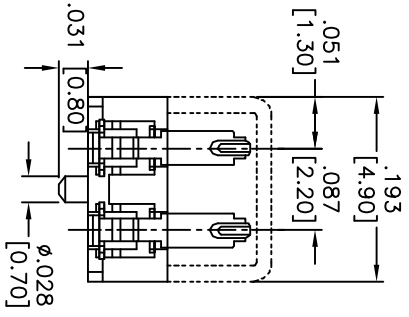
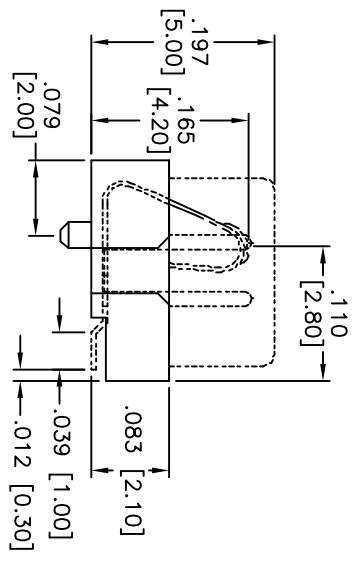
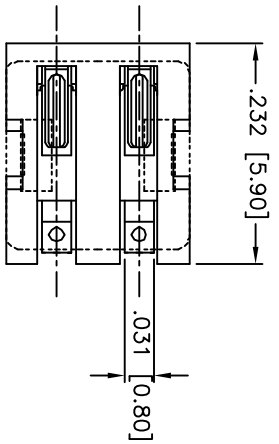


Rev	AWO #	Description	Date	Appr
-	10101	RELEASED	3/22/10	

APPROVED: \_\_\_\_\_  
 DATE: \_\_\_\_\_ TITLE: \_\_\_\_\_



**SPECIFICATION:**

**Material:**  
 Insulator: Thermoplastic, Rated UL-94V-0

Insulator color: Black  
 Contacts: Copper Alloy

**Electrical:**  
 Current rating: 1.5 A

Contact resistance: 20 mohms max

Insulation resistance: 1000 Mohms min

Dielectric withstanding voltage: 1000 VAC / minute

Temperature Rating:  
 Operating temperature: -55°C to +105°C

Environmental:  
 Lead free, RoHS compliant.

Recommended soldering temp: 235°C for 5 sec.



UNLESS OTHERWISE SPECIFIED  
 ALL DIMENSIONS ARE INCHES [MM]  
 TOLERANCES: EXCEPT AS NOTED

INCHES	HOLDS
.X ± .10	± .10
.XX ± .020	± .015
.XXX ± .015	± .010

APPROVALS

DRAWN	DY	DATE	3/22/10
CHECKED			
APPROVED			

**ADAM TECH**  
 909 Rahway Avenue, Union, NJ 07083  
 Phone: 908-687-5000 Fax: 908-687-5710

TITLE: **BATTERY CONNECTOR**

SIZE	PART NO.	MBC-F-2	REV.
X			-
REF:	S00148T	SCALE: NTS	SHEET 1 OF 1