

# GOG9xx27

## THREE PHASE AC-DC BRIDGE

Fuse protection  
Temperature sensors  
Snubber for SCR's protections  
Extractible stacks for easy field service

**LINE VOLTAGE UP TO 690V**  
**DC OUTPUT CURRENT 2700 A**

**GOG94027 GOG95027 GOG96027**

Line to line voltage	<b>400 V</b>	<b>500 V</b>	<b>690 V</b>
----------------------	--------------	--------------	--------------

Characteristic		Conditions	Value	Value	Value
I <sub>DC</sub>	DC output current		2700 A	2700 A	2700 A
V <sub>INS</sub> (rms)	Insulation voltage		3000 V	3000 V	3000 V

### THYRISTOR TRIGGERING CHARACTERISTICS

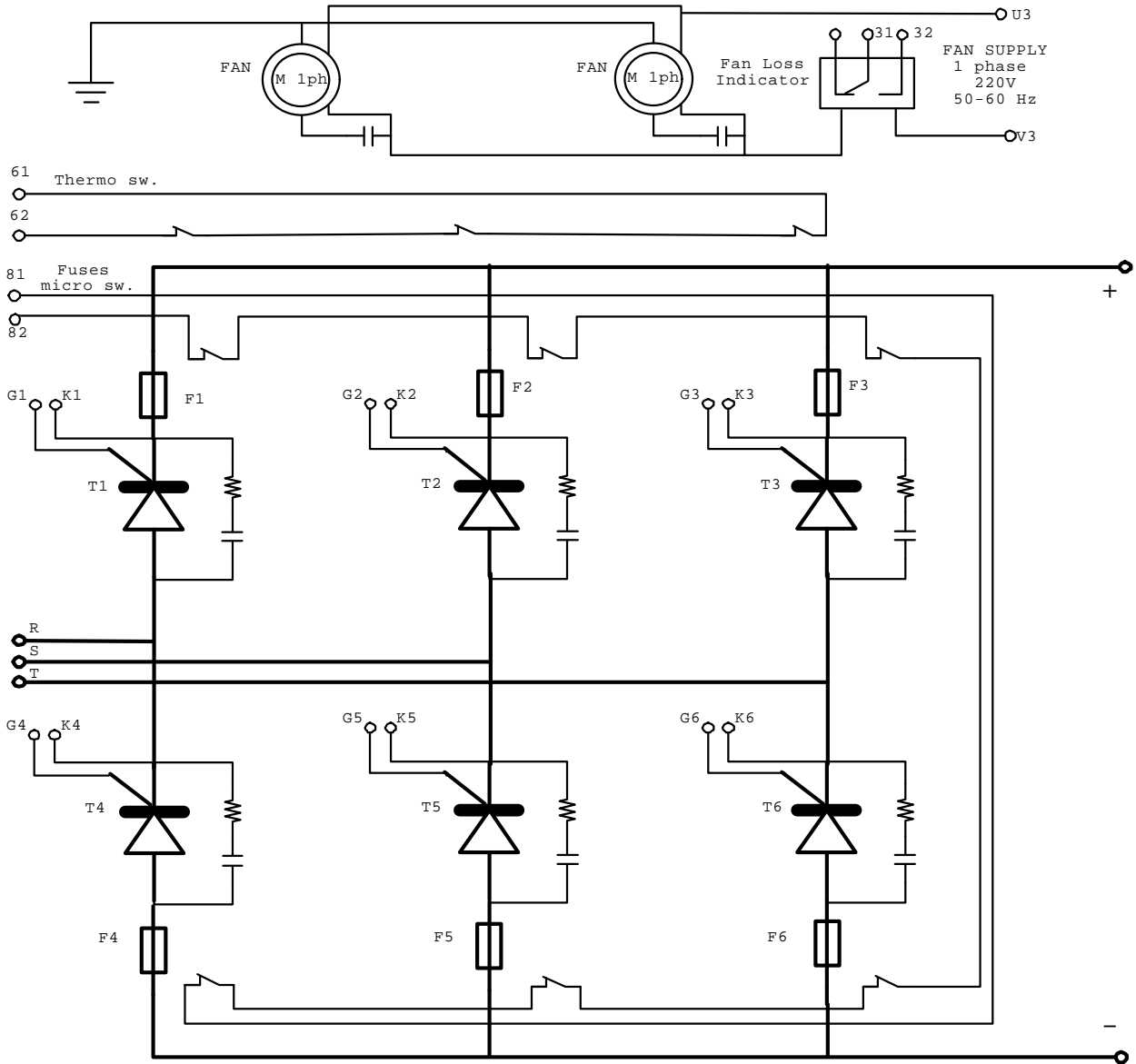
V <sub>GT</sub>	Gate trigger voltage	T <sub>j</sub> = 25 °C, V <sub>D</sub> = 5 V	3 V	3 V	3 V
I <sub>GT</sub>	Gate trigger current	T <sub>j</sub> = 25 °C, V <sub>D</sub> = 5 V	400 mA	400 mA	400 mA
dV/dt	Critical rate of rise off-state voltage	T <sub>j</sub> = 125 °C	1000 V/us	1000 V/us	1000 V/us
V <sub>RRM</sub>	Blocking Voltage	T <sub>j</sub> = 125 °C	1200 V	1600 V	2200 V

### FUSE TYPE: 2 x SIBA 2068132.800

V <sub>NF</sub>	Rated voltage		690 V	690 V	690 V
I <sub>NF</sub>	Rated current		800 A	800 A	800 A
P <sub>VF</sub>	Power loss	At rated current	118 W	118 W	118 W
I <sup>2</sup> t	Total I <sup>2</sup> t	At 660 V	480 kA <sup>2</sup> s	480 kA <sup>2</sup> s	480 kA <sup>2</sup> s

### MECHANICAL AND THERMAL CHARACTERISTICS

	Width		500 mm	500 mm	712 mm
	Depth		275 mm	275 mm	395 mm
	Height		855 mm	855 mm	855 mm
	Mass		140 kg	140 kg	140 kg
T <sub>a</sub> max	Max amb. op. Temp.		40 °C	40 °C	40 °C
T <sub>stg</sub>	Storage temperature		-40/60 °C	-40/60 °C	-40/60 °C



In the interest of product improvement Green Power Semiconductors reserves the right to change any specification given in this data sheet without notice.