

GOG9xx12

THREE PHASE AC-DC BRIDGE

- Fuse protection
- Temperature sensors
- Snubber for SCR's protections
- Extractible stacks for easy field service

LINE VOLTAGE UP TO 690V
DC OUTPUT CURRENT 1200A

GOG94012 GOG95012 GOG96012

Line to line voltage	400 V	500 V	690 V
----------------------	--------------	--------------	--------------

Characteristic		Conditions	Value	Value	Value
I _{DC}	DC output current		1200 A	1200 A	1000 A
V _{INS (rms)}	Insulation voltage		3000 V	3000 V	3000 V

THYRISTOR TRIGGERING CHARACTERISTICS

V _{GT}	Gate trigger voltage	T _j = 25 °C, V _D = 5 V	2.5 V	2.5 V	2.5 V
I _{GT}	Gate trigger current	T _j = 25 °C, V _D = 5 V	250 mA	250 mA	250 mA
dV/dt	Critical rate of rise off-state voltage	T _j = 125 °C	1000 V/us	1000 V/us	1000 V/us
V _{RRM}	Blocking Voltage	T _j = 125 °C	1200 V	1600 V	2200 V

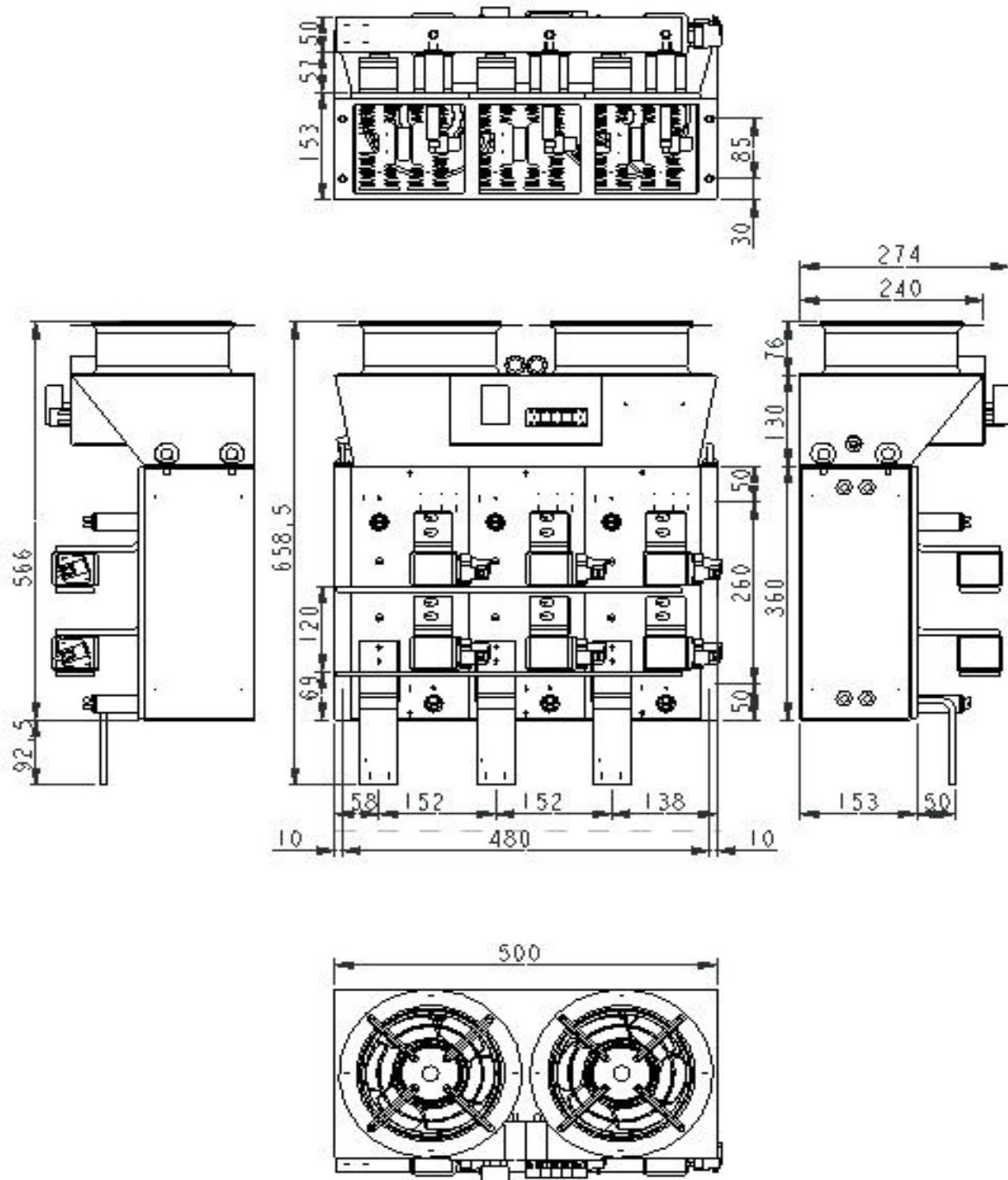
FUSE TYPE (SIBA code)

2067132.800 2067132.800 2078132.700

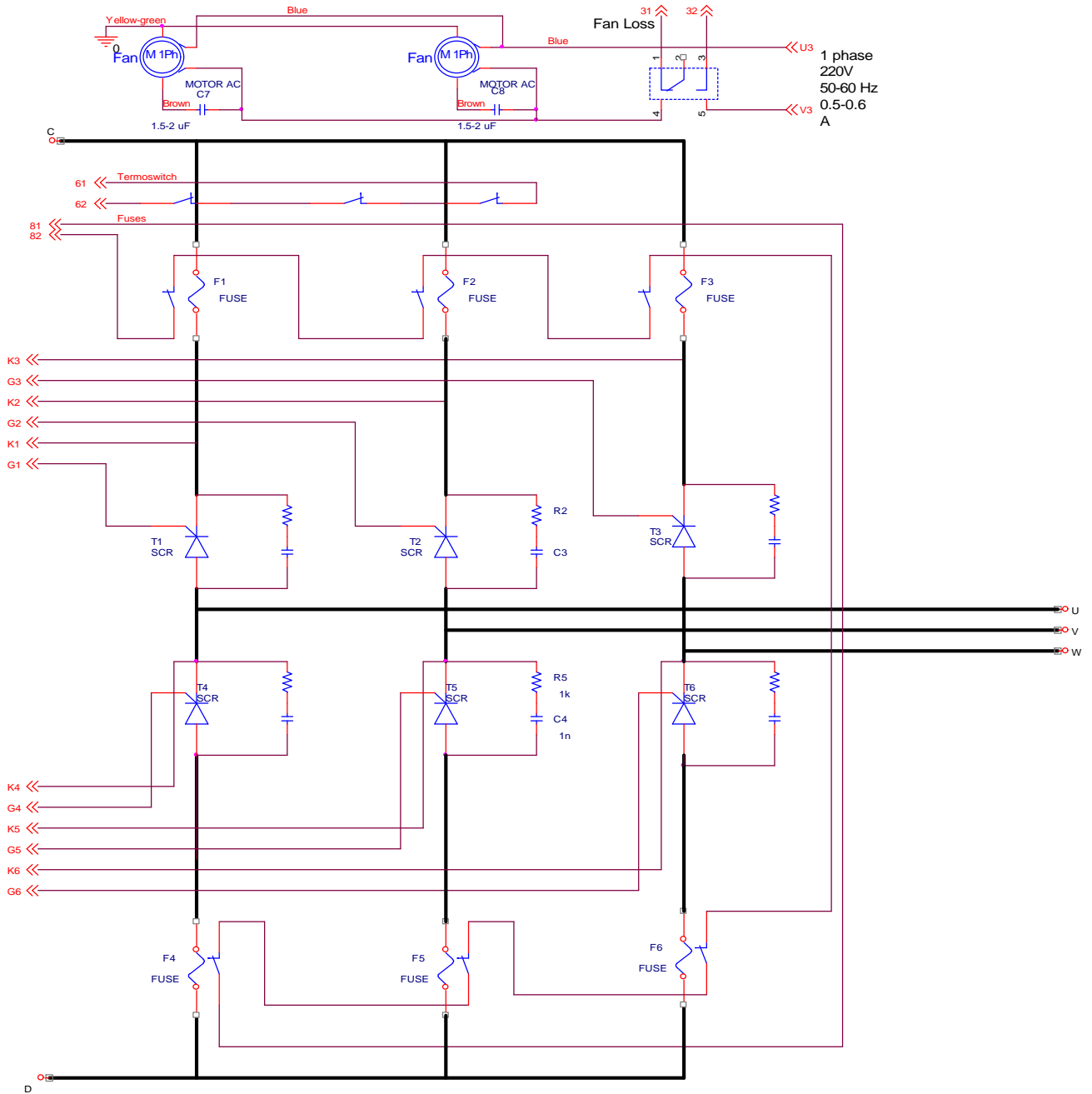
V _{NF}	Rated voltage		690 V	690 V	1250 V
I _{NF}	Rated current		800 A	800 A	700 A
P _{VF}	Power loss	At rated current	W	W	W
I ² t	Total I ² t		kA ² s	kA ² s	kA ² s

MECHANICAL AND THERMAL CHARACTERISTICS

	Width		500 mm	500 mm	500 mm
	Depth		275 mm	275 mm	275 mm
	Height		655 mm	655 mm	655 mm
	Mass		65 kg	65 kg	65 kg
T _{a max}	Max amb. op. Temp.		40 °C	40 °C	40 °C
T _{stg}	Storage temperature		-40/125 °C	-40/125 °C	-40/125 °C



In the interest of product improvement Green Power Semiconductors reserves the right to change any specification given in this data sheet without notice.



In the interest of product improvement Green Power Semiconductors reserves the right to change any specification given in this data sheet without notice.