

EMC1200R Series

12-Bay Media Converter System



Overview

The EMC1200R is a 12-Bay chassis system specifically designed to house and power selected EtherWAN Media Converters and Ethernet Extenders in a 19" rack enclosure.

The dynamic selections of EtherWAN's media converter and Ethernet extender family provide flexible system combinations. Each bay is electrically isolated from each other with fused over-current protection resulting in unprecedented reliability. The redundant internal power supplies provide both power redundancy and load sharing. Support for both AC & DC power input options allows the EMC1200R to be used worldwide. With its solid metal enclosure, standard 19" rack-mount and one-unit height design, the EMC1200R is ideal for interconnecting disparate network media and extending Ethernet beyond its boundaries.

EtherWAN – "When Connectivity is Crucial".

Spotlight

• 12-Bay Rackmount Chassis

- Powers up 12 media converters with redundant terminal block power inputs

• Supports EtherWAN's Ethernet extenders and media converters

- Supported media converter Model include, EL2321, EL2211, EL2315, EM1100/EM2100, EM1000/EM2000, EM1000S/EM2000S, EM1020, EM120, EL100/EL200, and EL110/EL210 Series

Hardware Specifications

Power

Input

- 100 - 240VAC, 50 - 60Hz Internal Universal PSU

Power Consumption

- 9.4Watts, system w/o media converters, but with redundant PSUs.
- For total EMC1200R power consumption, please calculate with the selected media converters' datasheets.

Mechanical

Casing

- Metal case

Dimensions

- 440mm (W) x 243mm (D) x 45mm (H)
(17.32" (W) x 9.57" (D) x 1.77" (H))

Weight

- 3.1Kg (6.82lbs.)

Installation

- Rack mounting

Environment

Operating Temperature

- 0°C to 45°C (32°F to 113°F)

Storage Temperature

- -20°C to 70°C (-4°F to 158°F)

Ambient Relative Humidity

- 5% to 95% (non-condensing)

Regulatory Approvals

ISO

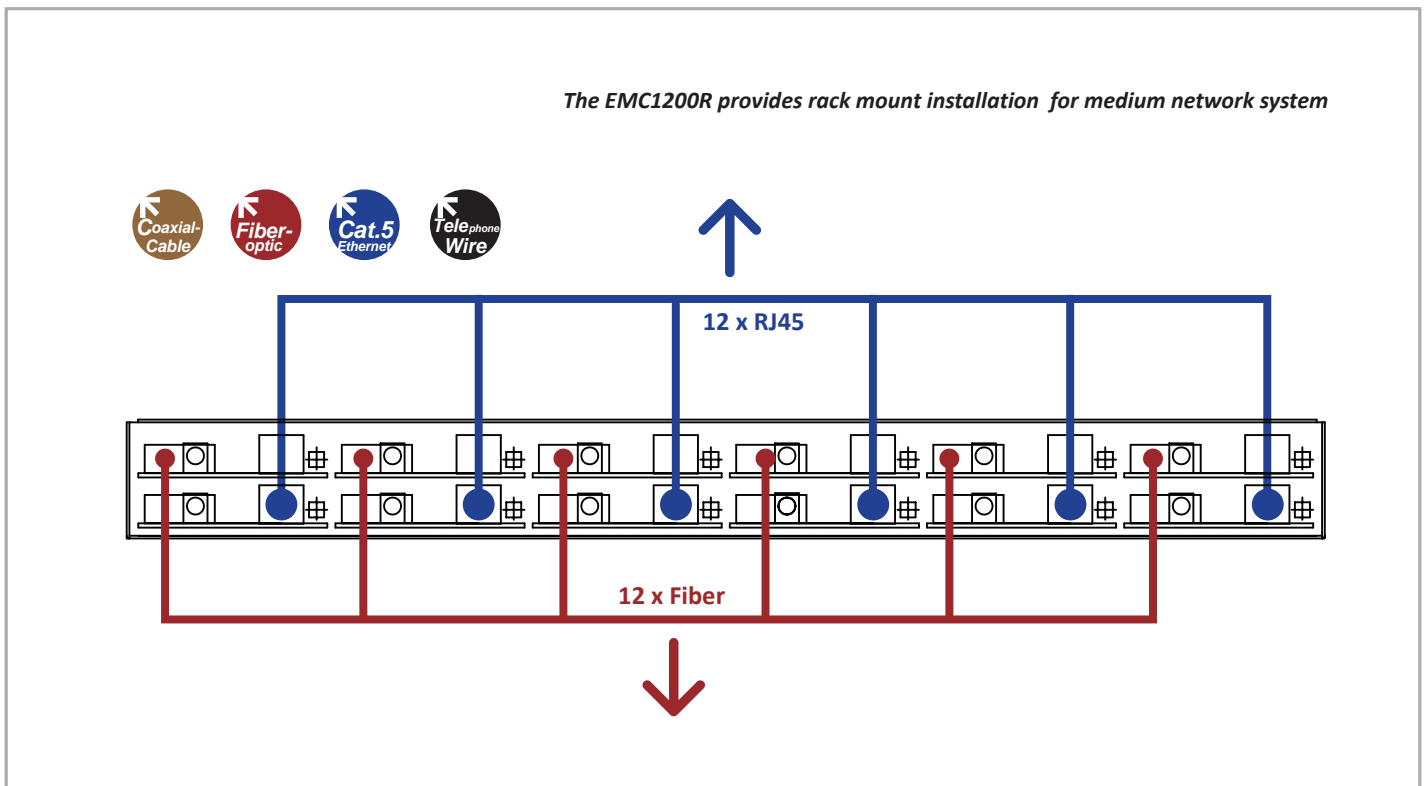
- Manufactured in an ISO9001 facility

Emission Compliance

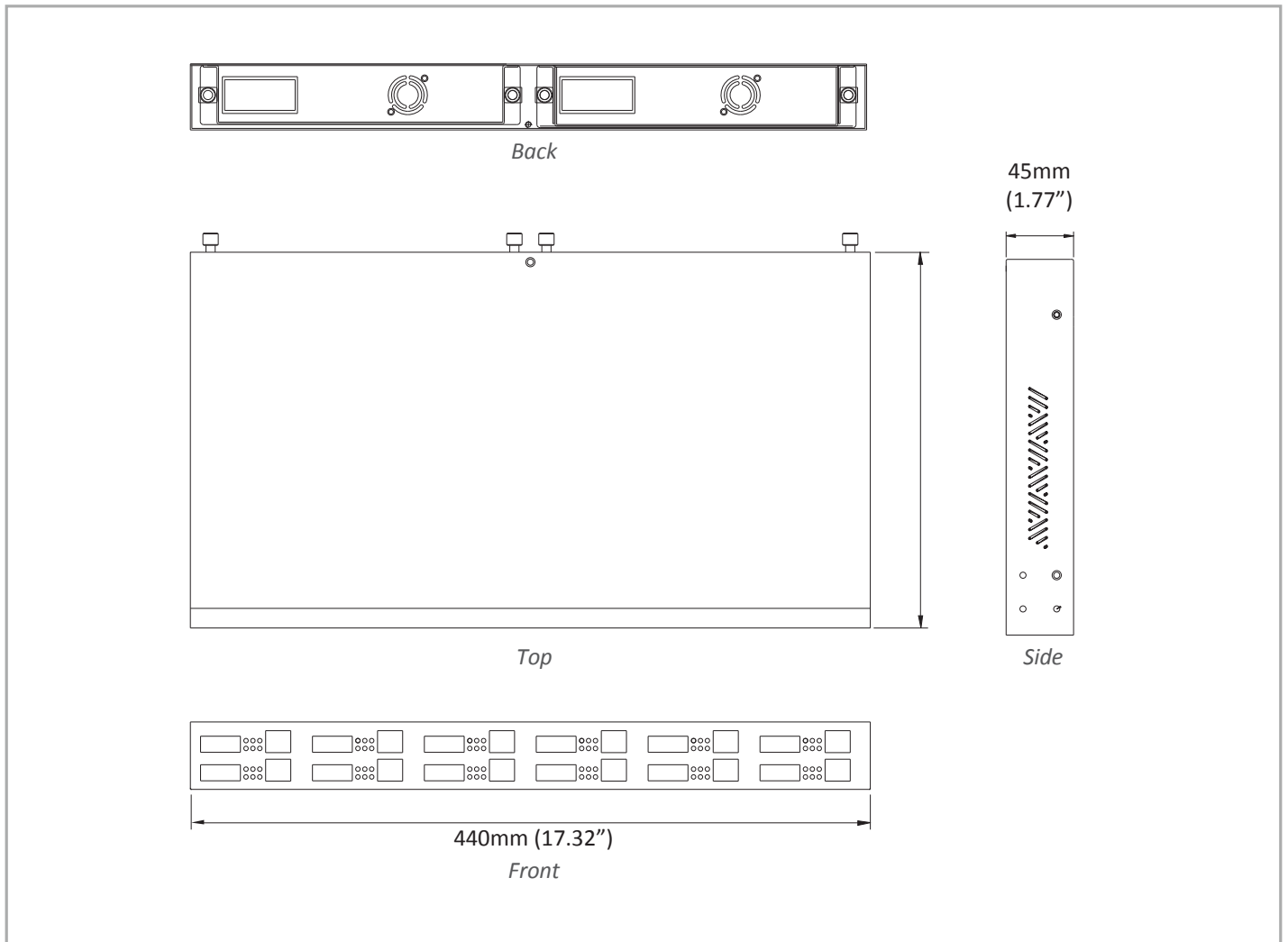
FCC Part 15B, Class A

CE Mark Class A

Application Diagram



Dimensions



Ordering Information

Model

EMC1200RC	12-Bay EL100C Media Converter System
EMC1200RT	12-Bay EL100T Media Converter System
EMC1200RL	12-Bay EL100L Media Converter System
EMC1210RC	12-Bay EL110C Media Converter System
EMC1210RT	12-Bay EL110T Media Converter System
EMC1210RL	12-Bay EL110L Media Converter System
EMC1220RCC-15	12-Bay EM120MCC-15 Media Converter System
EMC1220RTC-15	12-Bay EM120MTC-15 Media Converter System
EMC1220RLC-15	12-Bay EM120MLC-15 Media Converter System

Notes:

- * ST fiber also available in Single Mode, 20Km
- * SC fiber also available in Single Mode, 20/40/60/100/120Km
- * SC fiber also available in WDM Type A and Type B, Single Mode 20/40Km, and Multi Mode 2/5Km
- * More SFP options are available upon request. Please visit Etherwan.com for the latest SFP module datasheet.

Ordering Information - continued

Model

EMC1200RGS	12-Bay Gigabit SFP Media Converter System
EMC1230RTSC	12-Bay EL2211-31 Media Converter System
EMC1230RTLC-10	12-Bay EL2211-A1 Media Converter System
EMC1230RTLC-20	12-Bay EL2211-B1 Media Converter System
EMC1200RTSC	12-Bay EM1000TSC Media Converter System
EMC1200RTLC-10	12-Bay EM1000TLC-10 Media Converter System
EMC1200RTLC-20	12-Bay EM1000TLC-20 Media Converter System
EMC1210RTSC	12-Bay EM1100TSC Media Converter System
EMC1210RTLC-10	12-Bay EM1100TLC-10 Media Converter System
EMC1210RTLC-20	12-Bay EM1100TLC-20 Media Converter System
EMC1200RSLC-10	12-Bay EM1000SLC-10 Media Converter System
EMC1200RSLC-20	12-Bay EM1000SLC-20 Media Converter System
EMC1200RLLC-10	12-Bay EM1000LLC-10 Media Converter System
EMC1200RLLC-20	12-Bay EM1000LLC-20 Media Converter System

Note:

** SC fiber also available in WDM Type A and Type B, Single Mode 10/20Km, and Multi Mode 2/5Km*

** More SFP options are available upon request. Please visit Etherwan.com for the latest SFP modules datasheet.*