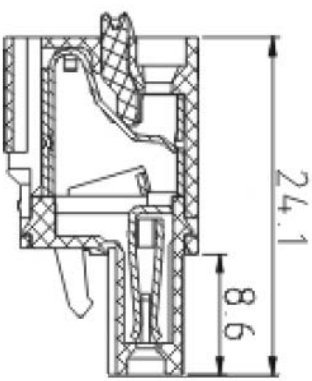
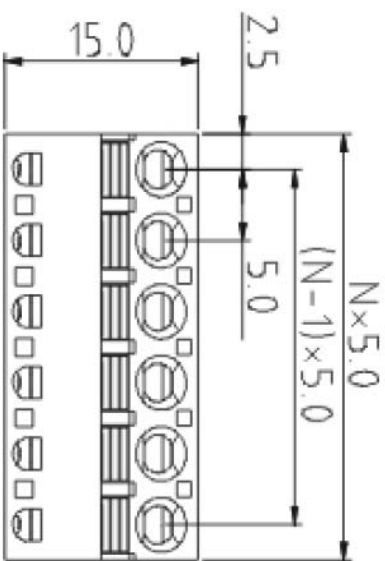
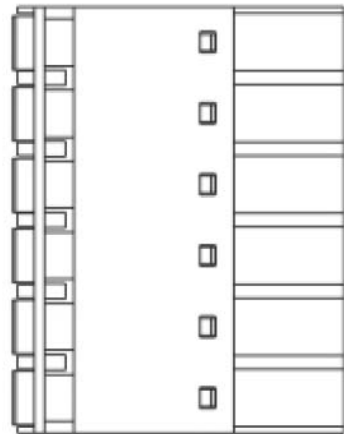


| Rev | AWO # | Description | Date | Appr |
|-----|-------|-------------|---------|------|
| - | 9427 | RELEASED | 3/20/09 | |

APPROVED: _____

DATE: _____ TITLE: _____



SPECIFICATIONS:

Material: Insulator: PA66, rated UL 94V-0
 Insulator color: Green
 Contact: Phosphor Bronze, Tin plated
 Electrical:
 Operation voltage: 300 VAC max
 Current rating: 10 Amps max per Pole
 Contact resistance: 20 mohms max
 Insulation resistance: 500 Mohms min @ DC500V
 Dielectric withstanding voltage: 1600 VAC for 1 minute
 Mechanical:
 Wire Range: 20 to 28 Awg
 Environmental:
 Operating temperature: -30°C to +105°C
 Lead free, RoHS compliant.
 Recommended soldering temp: 235°C for 5 sec.



| | |
|-----------------------------|--------------|
| UNLESS OTHERWISE SPECIFIED | |
| ALL DIMENSIONS ARE MM | |
| TOLERANCES: EXCEPT AS NOTED | |
| INCHES | HOLES |
| .X ± .10 | ØXX ± .10 |
| .XX ± .020 | ØXXX ± .015 |
| .XXX ± .015 | ØXXXX ± .010 |
| APPROVALS | DATE |
| DRAWN | DY |
| CHECKED | |
| APPROVED | |

ADAM TECH
 909 Railway Avenue, Union, NJ 07083
 Phone: 908-687-5000 Fax: 908-687-5710

| | |
|----------|--|
| TITLE | TERMINAL BLOCK, SPRING FOR PLUGGABLE, 5.0MM PITCH, CONTACT ON DOWN SIDE |
| SIZE | X |
| PART NO. | EB2-XX-M-C-CSD |
| REF: | S00007T |
| SCALE: | NIS |
| SHEET | 1 OF 1 |

6 5 4 3 2 1