

File No	RDPS-POTS321	
Revision	R1	
System Application	Asymmetric Digital Subscriber Line	
Product Type	ISDN / POTS Splitter	
Product Name	CPF101NW	
Date	Mar. 15 <sup>th</sup> , 2002	
Issued By	Bert Lin - Design Engineer, R&D_1	
	<a href="mailto:Bert@ycl.com.tw">Bert@ycl.com.tw</a>	
Approved By	Roger Wu – Manager, R&D_1	
	<a href="mailto:Roger@ycl.com.tw">Roger@ycl.com.tw</a>	
Issued Date		



## YCL Electronics Co., Ltd.

No.95, Feng Jen Road. Feng Shan City, Kaohsiung, Taiwan, R.O.C.

This controlled document is the property of YCL Electronics Co., Ltd. Any duplication reproduction or transmission by unauthorized parties without the prior written permission of YCL Electronics Co., Ltd. is prohibited.

**Table of contents**

<u>Item</u>	<u>Description</u>	<u>Page</u>
1	Introduction	3
2	Reference	3
3	Abbreviations	3
4	Technical requirements	4
	4.1 : Block diagram	4
	4.2 : Electrical specification	5
	4.2.1: ISDN requirement	5
	4.2.2: POTS requirement	6
	4.2.3 : DC characteristic	7
	4.3 : Test methodology	7
	4.3.1: Filter Return loss test for ISDN function	7
	4.3.2 : Filter Insertion Loss and attenuation test for ISDN function	8
	4.3.3: Filter Return loss test for POTS function	9
	4.3.4 : Filter Insertion Loss test for POTS function	10
5	Environmental condition	11
	5.1 : Resistibility to overvoltage and overcurrents	11
	5.2 : Climatic condition	11
	5.2.1 : Operating temperature	11
	5.2.2 : Storage and transport	11
	5.2.3 : Operating humidity	11
6	Reliability conditions	12
7	Mechanical design	13

## 1. Introduction:

The CPF101NW is a splitter module that has been specifically designed to implement the functionality of low pass filter in ISDN over ADSL application. The CPF101NW integrate low pass filter that block the high frequency energy from reaching the ISDN device and provide isolation from impedance effects of the ISDN device on ADSL. Because the ISDN splitter connects directly to the subscriber loop media , it must also provide some protection for externally induced line hits or faults which could damage any attached equipment or endanger humans interacting with the installed equipment. The circuit protection will be provided mostly by standard central office line protection means and additional protection measures built into splitter to protect against line overstress which could damage the splitter itself. This splitter mainly consist of one low pass filter which provide ISDN and POTS solution respectively

## 2. Reference:

- Ref. 1 : ETSI TR 101 728 V1.1.1(2000-12)  
Ref. 2 : Splitter requirement specification for HM130  
Ref. 3 : ITU-T G.992.1 Asymmetrical Digital Subscriber Line (ADSL) Transceiver  
Ref. 4 : ITU-T K.21 Resistibility of subscribers terminal to over-voltages and over-currents.  
Ref. 5 : ITU-T K.44 Resistibility tests for telecommunication equipment exposed to overvoltages and overcurrents - Basic Recommendation

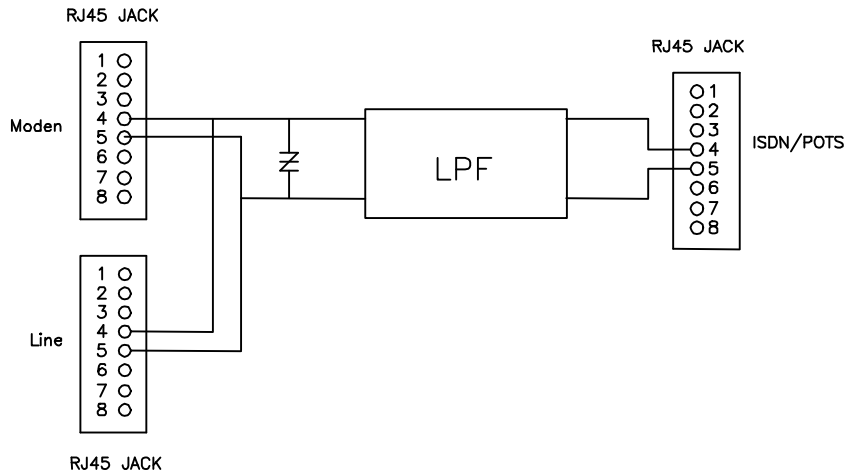
## 3. Abbreviations:

ADSL	Asymmetric Digital Subscriber Line
ISDN	Integrated Service Digital Network
CO	Central Office
CPE	Customer Premise Equipment.
POTS	Plain Old Telephone Service
RT	Remote Terminal
Z <sub>ADSL</sub>	Network termination of ADSL

#### 4. Technical requirements:

##### 4.1. Block diagram :

A block diagram of this product is graphically illustrated as below.



**4.2. Electrical specification:**

**4.2.1. ISDN requirement :**

Splitter parameter	Electrical requirements	
	Range	values
ISDN band(3dB bandwidth)		DC to 94KHz
ADSL band		160KHz-1104KHz
<b>Nominal impedance</b>		
Line impedance ZL		135 ohm
CO impedance ZTc		135 ohm
RT impedance ZTr		135 ohm
Modem impedance		100 ohm
<b>Current voice band</b>		
Loop current		200mA
<b>DC resistance</b>		
DC resistance		<=12.5 ohm
Isolation resistance tip/ring		>5 M ohm
<b>ISDN band characteristic</b>		
Splitter parameter	Rang	Value
Insertion Loss	1KHz<f<40KHz	<0.8dB
	40KHz<f<80KHz	<2.0 dB
Return Loss	1KHz<f<40KHz	≥16 dB
	40KHz<f<80KHz	≥14 dB
Stop Band Attenuation	150KHz<f<1104KHz	>65 dB

### 4.2.2. POTS requirement :

Splitter parameter	Electrical requirements	
	Range	values
<b>Frequency range</b>		
Splitter bandwidth		DC to 16KHz
Nominal voice band		0.3KHz to 3.4KHz
Billing tone		16KHz±80Hz
Ringing frequency		22Hz to 28Hz
ADSL band		160KHz to 1104KHz
Line Impedance ZL		270ohm + (750ohm    150nF)
CO impedance ZTc		270ohm + (750ohm    150nF)
RT impedance ZTr		270ohm + (750ohm    150nF)
Modem impedance	160KHz< f< 1104KHz	100 ohm
<b>Operation voltage voice band</b>		
Nominal signal		21mVpp to 5.4 Vpp
Billing tone		10Vpp to 30.2Vpp
Ringing signal		40Vrms to 80Vrms(113Vpp to 227 Vpp)
DC voltage		0V to -72V
Max. AC voltage		70Vrms with -72VDC offset voltage
Max. differential		190V
<b>Current voice band</b>		
Loop current		<100mA
Transient current(on/off hook)		<400mA
<b>DC Resistance</b>		
DC Resistance		<=12.5 ohm
Isolation resistance tip/ring		>5 Mohm
<b>Voice –band characteristic</b>		
Splitter parameter	Rang	Value
Insertion Loss	200HZ<f<3.4KHz (Refer to 1KHz)	<±1dB
	16KHz±1KHz	<3.0dB
	1KHz	<1 dB
Return Loss	300Hz<f<3.4KHz	>12 dB
	3.4kHz<f<4KHz	>8 dB

### 4.2.3. DC characteristic :

All requirement of this specification can be met in the presence of all POTS loop currents from 0mA to 100mA. This POTS splitter can pass POTS tip-to-ring dc voltages of 0V to 72V and ringing signals of 40V to 80Vrms at any frequency from 22Hz to 28Hz with a dc component in the range from 0V to 72V. The dc resistance from tip-to-ring at the line port interface with the phone interface shorted, shall be less than or equal to 25 ohms. The DC resistance from tip-to-ground and from ring-to-ground at the POTS interface with the U-R interface open shall be greater than or equal to 5 Megohms. The ground point shall be local building or green wire ground. As an objective , the dc resistance should exceed 10MΩ.

### 4.3. Test Methodology :

#### 4.3.1. Filter Return loss test for ISDN function.

##### 4.3.1.1. Test Equipment :

- a . HP4395A Network / Spectrum / Impedance Analyzer
- b . HP87512A Transmission / Reflection test set
- c . Balun North Hills : 0303LB( 50Ω : 135Ω )

##### 4.3.1.2. Test setup: is shown in Fig. 1 .

##### 4.3.1.3. Test Procedure :

- a . Set HP4395A in A/R mode.
- b . Connecting the Analyzer to the ISDN sides of splitter through the North Hills Balun 0303LB. While  $Z_{ADSL}$  load can be terminated with load, or open.
- c . Set frequency of interest given in specification.
- d . Calibrating the HP4395A network Analyzer via the thru, open, load calibration. being performed for Return loss.
- e . Measurement Return loss.

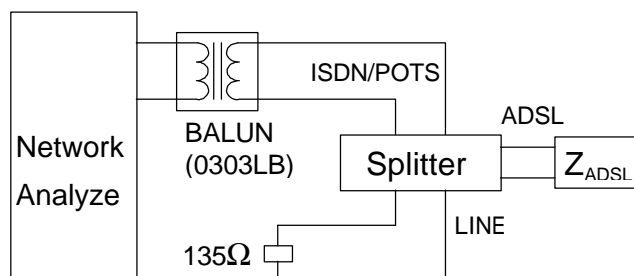


Fig. 1. Test Setup



Fig. 1-a.  $Z_{ADSL}$  load

Note :  $Z_{ADSL}$  load can be terminated with load, or open

**4.3.2. Filter Insertion Loss and attenuation test for ISDN function.**

**4.3.2.1. Test Equipment :**

- a . HP4395A Network / Spectrum / Impedance Analyzer
- b . HP87512A Transmission / Reflection test set
- c . Balun North Hills : 0303LB( 50Ω : 135Ω )

**4.3.2.2. Test setup:** is shown in Fig. 2 .

**4.3.2.3. Test Procedure :**

- a . Set HP4395A in B/R mode for attenuation test.
- b . Connecting the Analyzer to the ISDN and line side of splitter through the North Hills Balun 0303LB
- c . Set frequency of interest given in specification.
- d . Calibrating the HP4395A network Analyzer via the thru for attenuation test
- e . Measurement Insertion Loss and attenuation.

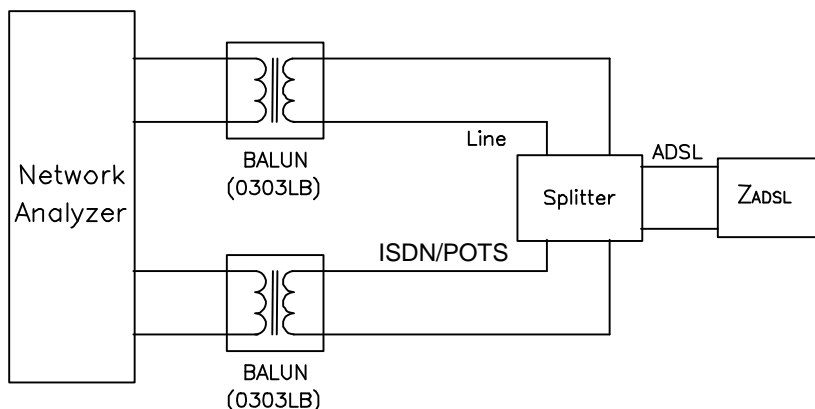


Fig. 2. Test Setup

Note :  $Z_{ADSL}$  load can be terminated with load, or open

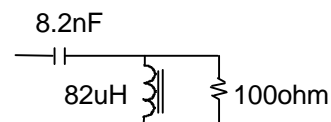


Fig. 2-a.  $Z_{ADSL}$  load



**4.3.3. Filter Insertion loss test For POTS Function:**

**4.3.3.1. Description :**

Insertion loss /Attenuation mentioned herein is defined as below :

$$IL = 20 \log_{10} \left| \frac{V_o}{V_i} \right| \text{ dB}$$

$V_i$  = the voltage value measured is shown in Fig. 3

$V_o$  = the voltage value measured across the Line side shown in Fig. 4

**4.3.3.2. Apparatus :**

- a . Function generator or equivalent
- b . Readout oscilloscope or equivalent.
- c . Complex load  $Z_L = 270 \text{ ohm} + 750 \text{ ohm} // 150\text{nF}$

**4.3.3.3. Test procedure :**

- a . Set the measurement Frequency of interest
- b . Connecting the source to the Phone side of splitter with the complex load  $Z_L = 270 \text{ ohm} + 750 \text{ ohm} // 150\text{nF}$  across the Line side.
- c . Measure the voltage value and calculate the Insertion loss expressed in decibel from the equation Insertion loss =  $20 \log_{10} \left| \frac{V_o}{V_i} \right| \text{ dB}$
- d . Change another frequency of interested the repeat step a~d.

**4.3.3.4. Insertion loss test set up measurement :**

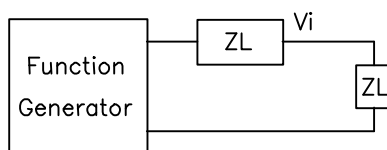


Fig. 3

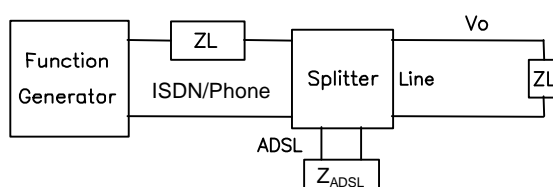


Fig. 4

**4.3.4. Filter Return Loss Test For POTS Function:**

**4.3.4.1. Description :**

Return loss is essentially defined as the ratio of the power incident upon a given transmission system to the power reflected caused by an impedance mismatch with respect to reference impedance at the interface between source and device. Return loss is generally expressed in decibels. General Return Loss equation as below:

$$\text{Return loss} = 20 \log \left| \frac{Z_R + Z_M}{Z_R - Z_M} \right| \text{ dB}$$

$Z_R$  = the reference impedance is shown in Fig. 5

$Z_M$  = the measured impedance is shown in Fig. 6

**4.4.2.2. Test Equipment :**

- a : HP 16047A Transformer Test Fixture
- b : HP HP 4192A Analyzer or equivalent
- c : Complex load  $Z_L = 270\text{ohm} + 750\text{ohm} // 150\text{nF}$

**4.3.2.3. Test Setup : is shown in below**

**4.3.2.4. Test Procedure :**

- a : Set the measurement Frequency of interest
- b : Calibrating the HP4192A L.C.Z. impedance Analyzer via the short . open, load
- c : Connecting the Analyzer to the POTS(ISDN) side of splitter with the complex load  $270\text{ohm} + 750\text{ohm} // 150\text{nf}$  across the Line side. While  $Z_{\text{ADSL}}$  load can be terminated with  $Z_{\text{ADSL}}$  load or open.
- d : Measure the impedance value  $R + jX$  and calculate the Return loss expressed in decibel from the equation  $\text{Return loss} = 20 \log \left| \frac{Z_R + Z_M}{Z_R - Z_M} \right| \text{ dB}$
- e : Change another frequency of interest, then repeat step b~e.

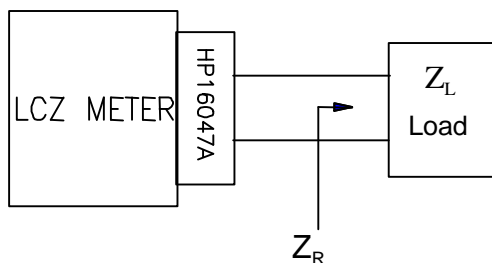


Fig. 5

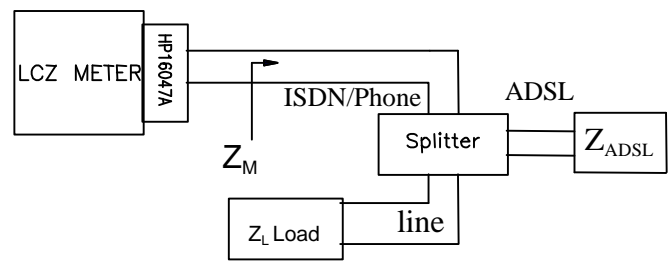


Fig. 6



**6. Reliability conditions:**

Test Item	Description of Testing	Test Condition	Acceptance	Sampling Quantities	
				D.V.T. Pilot Run	Mass Product
1	Visual/Mechanical Examination	By Visual Examination or by using X-Ray , Microscope etc. to Examine sample.	No cracking , broken , marking color changing and lose marking after washing.	2	4
		Reference:QC-0-12&QC-0-22			
2	Electrical Characteristic	According to clause 4.5 Electrical Specification , pp. 16-17.	No electrical failure.	2	4
		Reference: QC-0-16			
3	Thermal Shock	-20 °C +85 °C , for 5 cycles.	No electrical failure.	1	2
		Reference: MIL-STD-202 method 107 / QC-0-20			
4	Temperature Humidity Exposure	+50 °C / 95 RH , 96 hrs.	No electrical failure.	1	2
		Reference: MIL-STD-202 method 103 / QC-0-11			
5	Vibration Test	Random vibration / Freq. : 5 ~ 500 Hz / Sweep time : 1 hr. / axis / Force : 2.4 grams	No electrical failure & mechanical faults.	1 box	1 box
		Reference: MIL-STD-202 method 204 / QC-0-21			

7. Mechanical condition:

