

C2500 Series

300-400 WATTS AC/DC-DC/DC-BATTERY CHARGERS SINGLE OUTPUT

FEATURES

- DC input 18 V - 380 V
- AC input 1 or 3-phase, 47 - 400 Hz
- DC output 5-290V
- Continuous short circuit protection
- Overvoltage protection with auto restart
- Industrial grade components
- Compact and robust design



EURO CASSETTES

DC/DC CONVERTERS

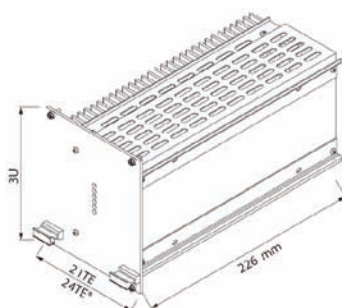
300W		400W							
18-36 VDC	OUTPUT AMPS	INPUT VDC				OUTPUT VDC			
		36-75 VDC	45-90 VDC	80-160 VDC	160-320 VDC	320-380 1) VDC	OUTPUT AMPS	ADJ.	RANGE
C 2520	45	C 2530	C 2540	C 2550	C 2570	C 2580 Z	55	5	4.5 - 5.5
C 2521	27	C 2531	C 2541	C 2551	C 2571	C 2581 Z	32	9	8 - 10
C 2522	23	C 2532	C 2542	C 2552	C 2572	C 2582 Z	27	12	11 - 13
C 2523	20	C 2533	C 2543	C 2553	C 2573	C 2583 Z	23	15	14 - 16
C 2524	13	C 2534	C 2544	C 2554	C 2574	C 2584 Z	15	24	23 - 26
C 2525	11	C 2535	C 2545	C 2555	C 2575	C 2585 Z	13	28	26 - 30
C 2529	6	C 2539	C 2549	C 2559	C 2579	C 2589 Z	7.2	48	45 - 55
C 2526	5	C 2536	C 2546	C 2556	C 2576	C 2586 Z	6	60	58 - 68
C 2527	2.5	C 2537	C 2547	C 2557	C 2577	C 2587 Z	3	110	100 - 130
C 2528	1.3	C 2538	C 2548	C 2558	C 2578	C 2588 Z	1.6	220	200 - 250

AC/DC POWER SUPPLIES

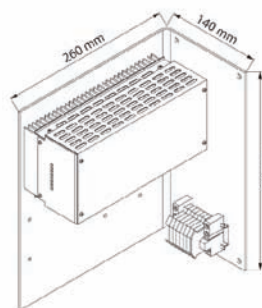
400 W				OUTPUT AMPS	OUTPUT VDC	
INPUT VAC, 1-PHASE		INPUT VAC, 3-PHASE	ADJ.		RANGE	
115 ± 20%	230 + 15% -20%	115 ± 20% 230 + 15% -20%		3X200 + 15% -20%		
C 2560	C 2580	C 2590	C 2560 V	55	5	4.5 - 5.5
C 2561	C 2581	C 2591	C 2561 V	32	9	8 - 10
C 2562	C 2582	C 2592	C 2562 V	27	12	11 - 13
C 2563	C 2583	C 2593	C 2563 V	23	15	14 - 16
C 2564	C 2584	C 2594	C 2564 V	15	24	23 - 26
C 2565	C 2585	C 2595	C 2565 V	13	28	26 - 30
C 2569	C 2589	C 2599	C 2569 V	7.2	48	45 - 55
C 2566	C 2586	C 2596	C 2566 V	6	60	58 - 68
C 2567	C 2587	C 2597	C 2567 V	3	110	100 - 130
C 2568	C 2588	C 2598	C 2568 V	1.6	220	200 - 250

BATTERY CHARGERS

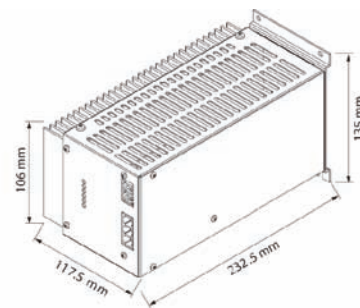
400 W						
INPUT VAC, 1-PHASE		INPUT VAC, 3-PHASE	OUTPUT AMPS	OUTPUT VDC		
115 ± 20%	230 + 15% -20%	115 ± 20% 230 + 15% -20%		3X200 + 15% -20%	NOM. BATTERY VOLTAGE	RANGE
B 2561	B 2581	B 2591	B 2561 V	23	12	12 - 16
B 2562	B 2582	B 2592	B 2562 V	13	24	24 - 32
B 2564	B 2584	B 2594	B 2564 V	6.2	48	48 - 64
B 2566	B 2586	B 2596	B 2566 V	5.1	60	60 - 80
B 2567	B 2587	B 2597	B 2567 V	2.8	110	110 - 145
B 2568	B 2588	B 2598	B 2568 V	1.4	220	220 - 290



Eurocassette / approx. 2.5 kg
(pluggable module for 19" sub-rack)
) applicable to 5 V output models



Wall mount / approx. 5.0 kg



Chassis mount / approx. 3.0 kg

OPTIONS INPUT

Option “i” (inrush current limiting): A thermistor is connected in series with the input lines which changes its resistance from high to low when it gets hot. It does not reduce the current surge if the input power is interrupted for a short period of time not allowing the thermistor to cool down. Thermistors are fitted as standard to all mains input models except for 1-phase input of models > 2.5kW. Thermistors are available up to 45A. For higher input current an electronic inrush current limitation can be offered.

Option “ie” electronic inrush current limiting An electronic circuit limits the inrush current.

Option “sd” (series diode): A series diode protects the module against input voltage of wrong polarity (additional power losses).

Option “ad” (anti-parallel diode): To avoid the power losses of a series diode a diode is provided with opposite polarity in parallel to the input blowing an internal or external fuse if the module is connected to a supply with wrong polarity.

Option “au” (auto-ranging) For standard dual AC input models the range of 115/230Vac is to be selected by connecting the input line to different pins on the connector. With auto-ranging the unit senses the input voltage and provides automatically the correct connection.

Option “p” (power fail): A signal (logic or relay) is given if the input voltage (AC or DC) drops below the specified limit. In AC input units we sense the rectified input voltage so that a power fail alarm will not be triggered if at light loads mains power returns before the input capacitors are substantially discharged.

Option “r” (relay): A relay instead of a logic signal is provided for failure indication.

OUTPUT

Option “dd” (decoupling diode): For redundant operation the outputs of two or more units are paralleled behind de-coupling diodes so that an internal fault of one module does not affect the operation of the others. These diodes cause power losses.

Option “cs” (active current sharing): An additional control circuit provides active current sharing via an interconnecting wire between converters that operate in parallel. Active current sharing should be used for multi-output units operating in parallel.

Option “csi” (current sharing interrupt): Option “csi” will effect the removal of the “cs” signal. Should there be an instance where a unit is not supplying the load, then the effect of its “cs” signal is removed, and the load voltage is unaffected by this condition.

Option “h1” (inhibit): A terminal connected to the negative input line also shuts off the converter. This can also be used in conjunction with a thermal trip which shuts the unit down.

Option “h2” (inhibit): Operation of the unit is inhibited if a voltage signal (5V/10mA) is applied in reference to the negative line of the (main) output.

Option “rco” (reducing current limiting at over temperature) A circuit reduces the current limiting level at higher temperature (to be specified).

Option “d” (DC-ok, one output): A logic signal is given if the output voltage (main output in multi-output systems) is below the specified limit.

Option “m” (DC-ok, all outputs): In multi-output systems a logic signal is provided if the voltage of any output is below the specified limit.

Option “ac” (AC ok) A logic signal connected to relay contacts is given if the output voltage of an inverter is below the specified limit.

Option “y” (sys-reset): This logic signal is a combination of power fail and DC-ok as specified for VME systems.

Option “r” (relay): A relay instead of a logic signal is provided for failure indication.

PROGRAMMING & MONITORING

PROGRAMMING SERIES 200-5800, 6600		
	By external signal, 0-10Vdc	eu1
Of output voltage from 0 to 100%	By external signal, 4-20mA	eu2
	By 270° potentiometer	eu3
	By 10 turn potentiometer	eu4
	By external signal, 0-10Vdc	ei1
Of output current from 0 to 100%	By external signal, 4-20mA	ei2
	By 270° potentiometer	ei3
	By 10 turn potentiometer	ei4
Isolating amplifier for programming		iso
Programming via interface RS232 or IEEE488		

MONITORING SERIES 200-5800, 6600		
Of output voltage from 0 to 100%	By external signal, 0-10Vdc	mu1
	By external signal, 4-20mA	mu2
Of output current from 0 to 100%	By external signal, 0-10Vdc	mi1
	By external signal, 4-20mA	mi2
Isolating amplifier for programming		iso
Programming via interface RS232 or IEEE488		

CHARGER PROGRAMMING (ALL SERIES)		
Temperature compensated charging voltage(sensor not included)		tc
Temperature sensor	Not interchangeable due to fixed resistor values	ts1
	Interchangeable, IC controlled	ts2
Automatic selection of charging characteristic (float / equalize charge) with timer		ch1
Additionally: Manual selection of charging characteristic		ch2
Additionally: Boost charge operation (manually activated with time delayed return to normal operation)		ch3

Euro Series

EURO OPTION SPECIFICATIONS

PROGRAMMING / MONITORING- SERIES 6400		
Programming of output voltage and current from 0-100% including isolation	By external signal, 0-10Vdc	e1
	By external signal, 4-20mA	e2
Programming of output voltage from 0-100%	By 270° potentiometer	eu3
	By 10 turn potentiometer	eu4
Programming of output current from 0-100%	By 270° potentiometer	ei3
	By 10 turn potentiometer	ei4
Monitoring of output voltage and current from 0-100% including isolation	By external signal, 0-10Vdc	m1
	By external signal, 4-20mA	m2
Remote on/off programming and monitoring of output voltage and current from 0-100% including isolation	By external signal, 0-10Vdc	em1
	By external signal, 4-20mA	em2
	Via RS232 and IEEE488	em3
Improved tolerance	Between reference (external signal) and measured value / between measured value and displayed signal: voltage 0.2% and current 0.5%.	tol

ENVIRONMENT

Option “**t**” (tropical protection): The unit is given additional protection by a heavy coat of varnish on the printed circuit board(s) and components.

Option “**c**” (extended temperature range): The circuit is designed and tested for operation at an ambient temperature as low as -40°C .

Option “**ms**” (increased mechanical strength): Screws are secured by Loctite and heavy components are fastened by ties and/or glue. Modules with the “ms” option meet the standard EN61373 regarding shock and vibration.

MECHANICS

Standard mounting “**Eurocassette**” pluggable module for 19” sub-racks 84TE

Option “**w**” (wall mounting): Module is screwed against a mounting plate for installation in a cabinet. The load connections are typically a terminal block.

Option “**cha**” (chassis mount) Module is designed for installation to a structure or within cabinet. Screw type connectors are supplied with the module.

Option “**din**” (DIN rail mount) Module is designed for DIN rail mounting to a structure or within Cabinet. Screw type connectors are supplied with the module.