



BUL67

HIGH VOLTAGE FAST-SWITCHING NPN POWER TRANSISTOR

- STMicroelectronics PREFERRED SALESTYPE
- HIGH RUGGEDNESS
- NPN TRANSISTOR
- HIGH VOLTAGE CAPABILITY
- MINIMUM LOT-TO-LOT SPREAD FOR RELIABLE OPERATION
- VERY HIGH SWITCHING SPEED
- FULLY CHARACTERIZED AT 125°C

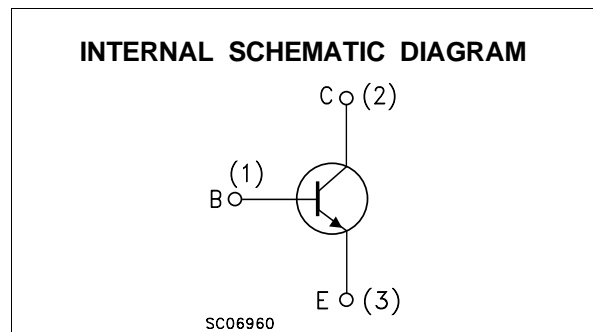
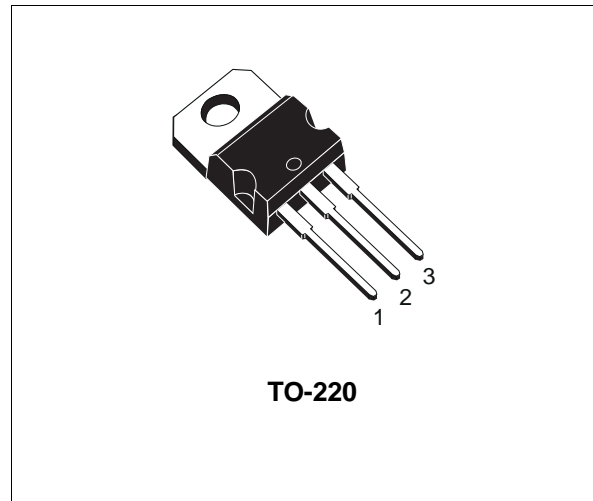
APPLICATIONS

- ELECTRONICS TRANSFORMER FOR HALOGEN LAMPS
- SWITCH MODE POWER SUPPLIES

DESCRIPTION

The BUL67 is manufactured using high voltage Multi-epitaxial Mesa technology for cost-effective high performance. It uses a Hollow Emitter structure to enhance switching speeds.

The BUL series is designed for use in lighting applications and in low cost switch-mode power supplies.



ABSOLUTE MAXIMUM RATINGS

| Symbol | Parameter | Value | Unit |
|-----------|--|------------|------|
| V_{CES} | Collector-Emitter Voltage ($V_{BE} = 0$) | 700 | V |
| V_{CEO} | Collector-Emitter Voltage ($I_B = 0$) | 400 | V |
| V_{EBO} | Emitter-Base Voltage ($I_C = 0$) | 9 | V |
| I_C | Collector Current | 10 | A |
| I_{CM} | Collector Peak Current ($t_p < 5$ ms) | 18 | A |
| I_B | Base Current | 3.5 | A |
| I_{BM} | Base Peak Current ($t_p < 5$ ms) | 7 | A |
| P_{tot} | Total Dissipation at $T_c = 25$ °C | 100 | W |
| T_{stg} | Storage Temperature | -65 to 150 | °C |
| T_j | Max. Operating Junction Temperature | 150 | °C |

BUL67

THERMAL DATA

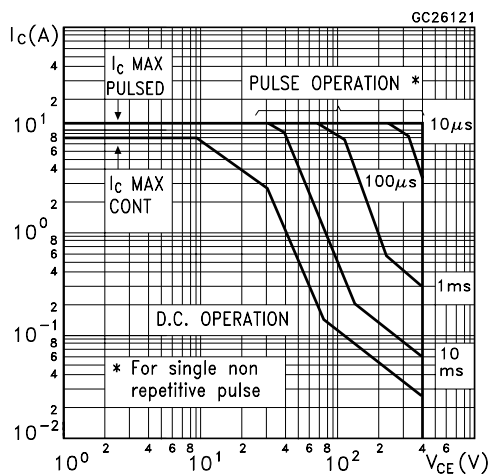
| | | | | |
|-----------------------|-------------------------------------|-----|------|------|
| R _{thj-case} | Thermal Resistance Junction-Case | Max | 1.25 | °C/W |
| R _{thj-amb} | Thermal Resistance Junction-Ambient | Max | 62.5 | °C/W |

ELECTRICAL CHARACTERISTICS (T_{case} = 25 °C unless otherwise specified)

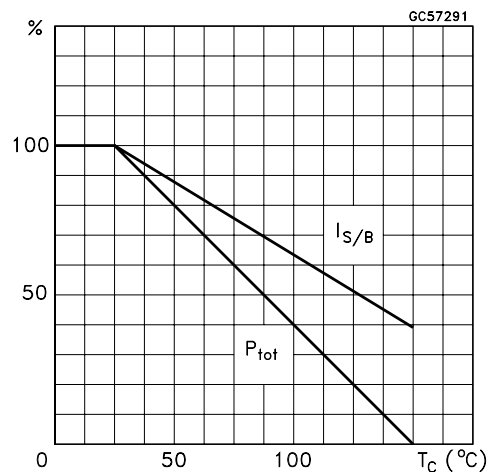
| Symbol | Parameter | Test Conditions | Min. | Typ. | Max. | Unit | |
|----------------------------------|---|---|--|----------|-------------------|-------------|----------|
| I _{CEs} | Collector Cut-off Current (V _{BE} = 0) | V _{CE} = 700 V V _{CE} = 700 V T _c = 125 °C | | | 100 500 | μA μA | |
| I _{CEO} | Collector Cut-off Current (I _B = 0) | V _{CE} = 400 V | | | 250 | μA | |
| V _{CEO(sus)} | Collector-Emitter Sustaining Voltage | I _C = 100 mA L = 25 mH | 400 | | | V | |
| V _{EBO} | Emitter-Base Voltage (I _C = 0) | I _E = 10 mA | 9 | | | V | |
| V _{CE(sat)*} | Collector-Emitter Saturation Voltage | I _C = 3 A I _C = 4 A I _C = 6 A | | | 0.8 1 1.5 | V V V | |
| V _{BE(sat)*} | Base-Emitter Saturation Voltage | I _C = 3 A I _C = 4 A I _C = 6 A | | | 1.2 1.3 1.5 | V V V | |
| h _{FE*} | DC Current Gain | I _C = 1.5 A I _C = 10 mA | V _{CE} = 3 V V _{CE} = 5 V | 15 10 | 50 | | |
| t _s t _f | INDUCTIVE LOAD Storage Time Fall Time | I _C = 3 A I _{B1} = 0.6 A L = 200 μH | V _{CL} = 250 V I _{B2} = -1.2 A | | 2.1 100 | 3.2 180 | μs ns |
| t _s t _f | INDUCTIVE LOAD Storage Time Fall Time | I _C = 3 A I _{B1} = 0.6 A L = 200 μH | V _{CL} = 250 V I _{B2} = -1.2 A T _c = 125 °C | | 3 180 | | μs ns |

* Pulsed: Pulse duration = 300 μs, duty cycle 1.5 %

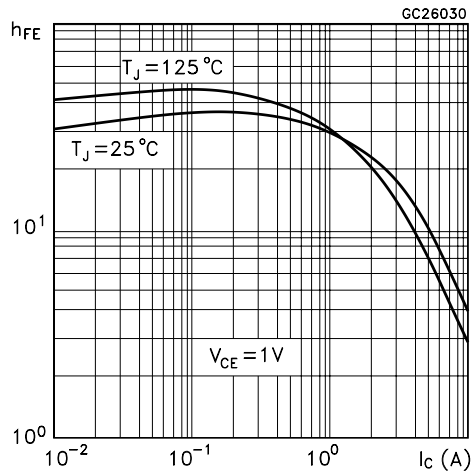
Safe Operating Areas



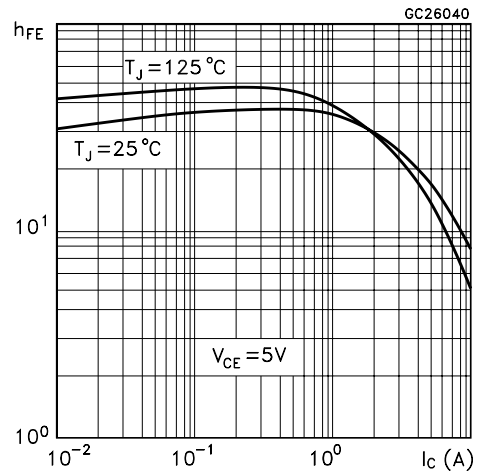
Derating Curve



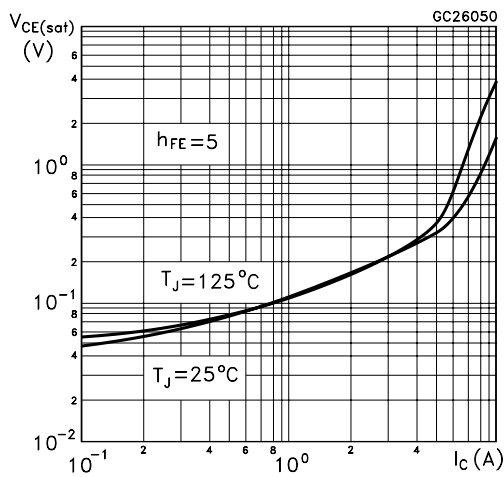
DC Current Gain



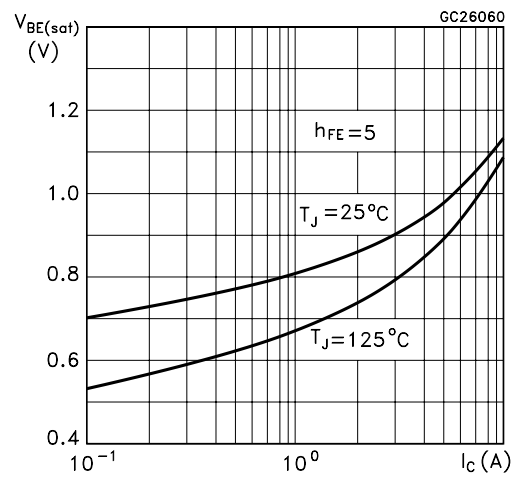
DC Current Gain



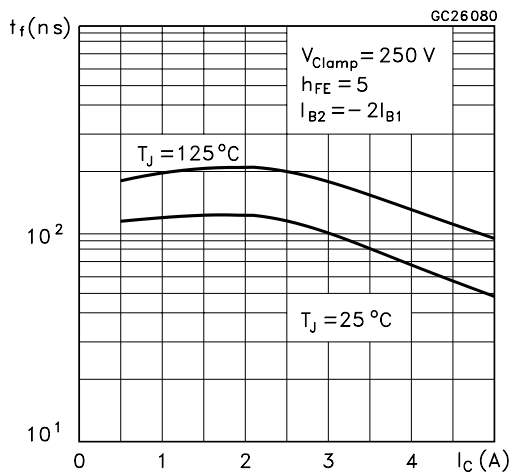
Collector Emitter Saturation Voltage



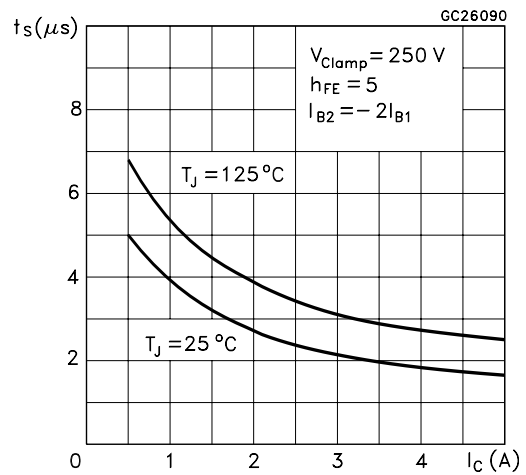
Base Emitter Saturation Voltage



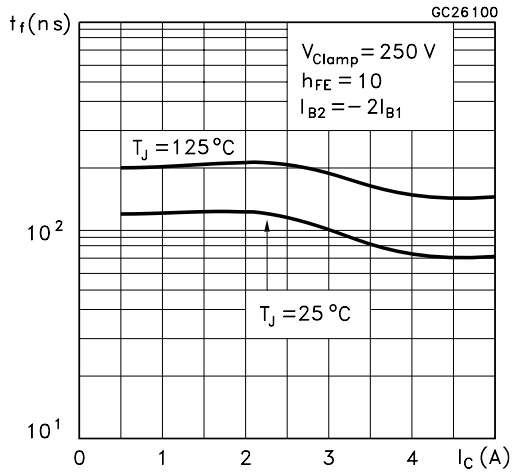
Inductive Fall Time



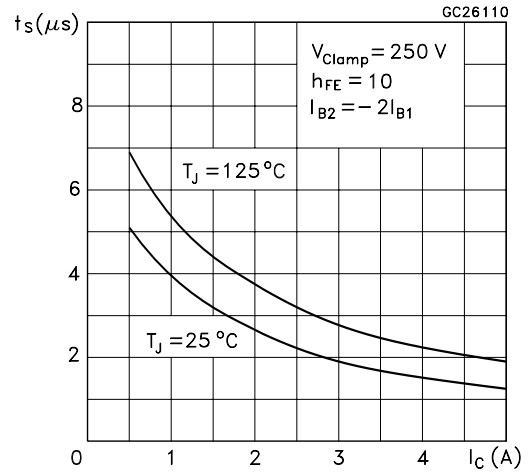
Inductive Storage Time



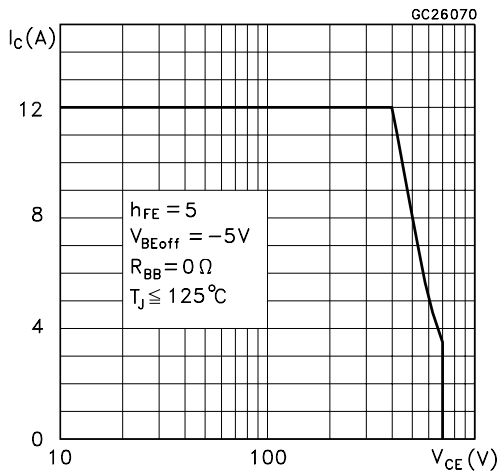
Inductive Fall Time



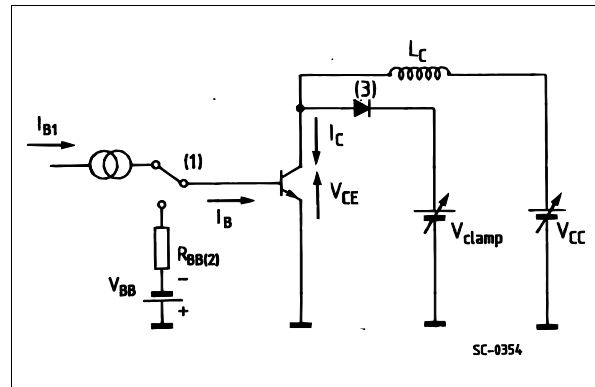
Inductive Storage Time



Reverse Biased SOA



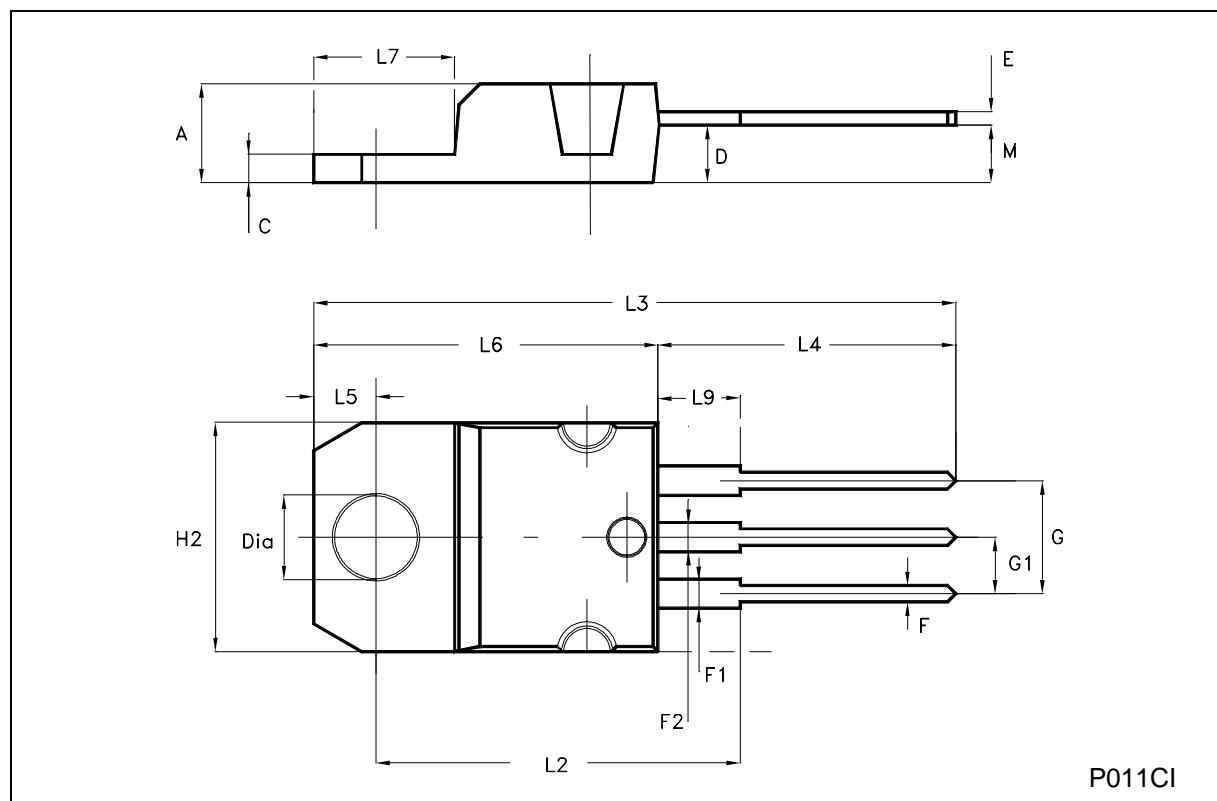
RBSOA and Inductive Load Switching Test Circuits



- (1) Fast electronic switch
- (2) Non-inductive Resistor
- (3) Fast recovery rectifier

TO-220 MECHANICAL DATA

| DIM. | mm | | | inch | | |
|------|-------|-------|-------|-------|-------|-------|
| | MIN. | TYP. | MAX. | MIN. | TYP. | MAX. |
| A | 4.40 | | 4.60 | 0.173 | | 0.181 |
| C | 1.23 | | 1.32 | 0.048 | | 0.052 |
| D | 2.40 | | 2.72 | 0.094 | | 0.107 |
| E | 0.49 | | 0.70 | 0.019 | | 0.027 |
| F | 0.61 | | 0.88 | 0.024 | | 0.034 |
| F1 | 1.14 | | 1.70 | 0.044 | | 0.067 |
| F2 | 1.14 | | 1.70 | 0.044 | | 0.067 |
| G | 4.95 | | 5.15 | 0.194 | | 0.202 |
| G1 | 2.40 | | 2.70 | 0.094 | | 0.106 |
| H2 | 10.00 | | 10.40 | 0.394 | | 0.409 |
| L2 | | 16.40 | | | 0.645 | |
| L4 | 13.00 | | 14.00 | 0.511 | | 0.551 |
| L5 | 2.65 | | 2.95 | 0.104 | | 0.116 |
| L6 | 15.25 | | 15.75 | 0.600 | | 0.620 |
| L7 | 6.20 | | 6.60 | 0.244 | | 0.260 |
| L9 | 3.50 | | 3.93 | 0.137 | | 0.154 |
| M | | 2.60 | | | 0.102 | |
| DIA. | 3.75 | | 3.85 | 0.147 | | 0.151 |



P011CI

Information furnished is believed to be accurate and reliable. However, STMicroelectronics assumes no responsibility for the consequences of use of such information nor for any infringement of patents or other rights of third parties which may result from its use. No license is granted by implication or otherwise under any patent or patent rights of STMicroelectronics. Specification mentioned in this publication are subject to change without notice. This publication supersedes and replaces all information previously supplied. STMicroelectronics products are not authorized for use as critical components in life support devices or systems without express written approval of STMicroelectronics.

The ST logo is a trademark of STMicroelectronics

© 2003 STMicroelectronics – Printed in Italy – All Rights Reserved

STMicroelectronics GROUP OF COMPANIES

Australia - Brazil - Canada - China - Finland - France - Germany - Hong Kong - India - Israel - Italy - Japan - Malaysia - Malta - Morocco - Singapore - Spain - Sweden - Switzerland - United Kingdom - United States.

<http://www.st.com>