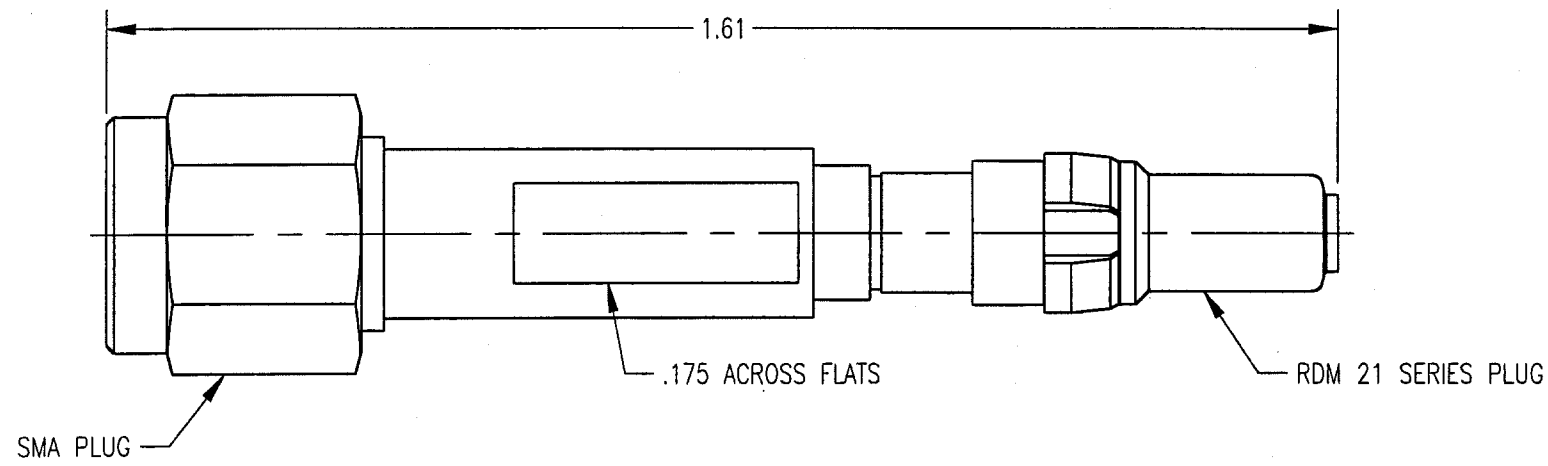


DWG. NO. 210-350-0001G			
REV.	DESCRIPTION	BY DATE	APPD.
-	RELEASE PER NPR 1501	5/10/99	[Signature]



- NOTES:
- MATERIALS:
 - BODY AND NUT: BRASS PER ASTM B16
 - CONTACT: BERYLLIUM COPPER PER ASTM B196
 - CLIP RING AND RETAINING RING: BERYLLIUM COPPER PER ASTM B194
 - INSULATOR: TEFLON PER ASTM D1710
 - GASKET: SILICONE RUBBER PER QQ-Z-765
 - FINISH:
 - NUT: .000015 MIN. GOLD PER MIL-G-45204 OVER .000050 MIN. NICKEL PER QQ-N-290
 - CLIP RING: .000100 MIN. NICKEL PER QQ-N-290 OVER COPPER FLASH
 - ALL OTHER METAL PARTS: .000030 MIN. GOLD PER MIL-G-45204 OVER .000050 MIN. NICKEL PER QQ-N-290

PER ASME Y14.5M-1994 UNLESS OTHERWISE SPECIFIED: DIMENSIONS ARE IN INCHES OR INCHES/MM		Litton 400 Park Road Waterbury, Connecticut 06705	
TOLERANCES: .XXX ± .01/0.254 .XXX ± .005/0.127		Winchester Electronics/RETCONN	
ANGLES ± 2°		SCALE: 4:1	
CUSTOMER DRAWING		TITLE RDM 21 SERIES PLUG TO SMA PLUG ADAPTER	
DRAWN KJT	DATE 3/29/99	CHECKED JED	DATE 3/29/99
APPROVED JMC	DATE 3/29/99	APPROVED JMC	DATE 3/29/99
A		210-350-0001G	SHT. OF REV. 1 1 -