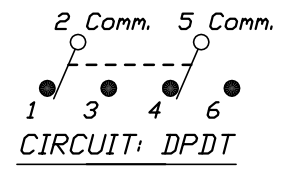
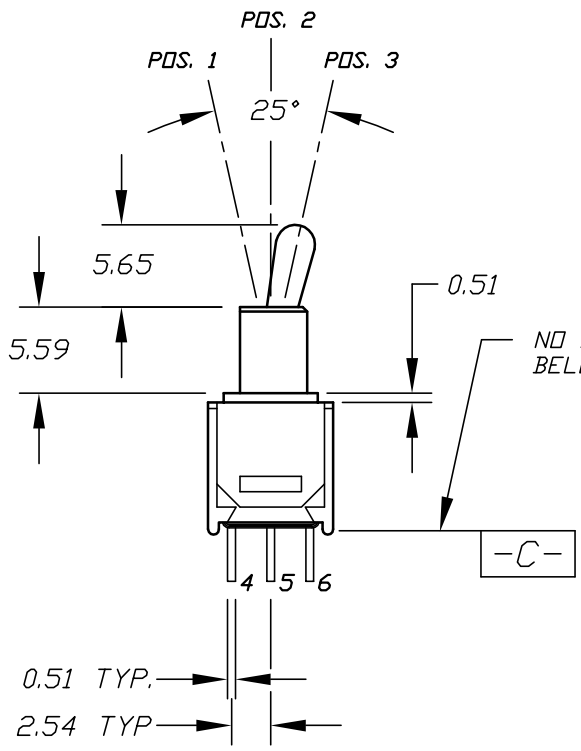
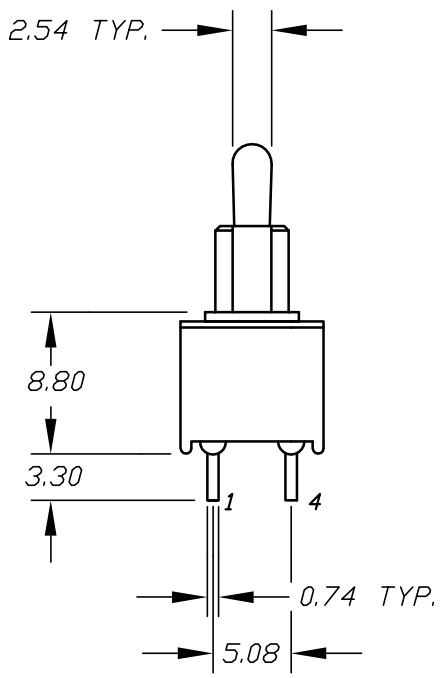


RECOMMEND P.C.B. HOLES



CIRCUIT: DPDT

CONTACT CONFIGURATION

SWITCH FUNCTION		
PDS. 1	PDS. 2	PDS. 3
ON	NONE	ON
2-3,5-6	OPEN	2-1,5-4

NOTES:

1. ALL DIMENSIONS IN MM
2. TERM. NOS. FOR REF ONLY
3. RATING: 3 Amps @120VAC or 28VDC; 1 Amp @250VAC

<p style="text-align: center;">E-SWITCH®</p>							
				<p style="text-align: center;">TITLE: 200 MDP-1 T2 B2 M2 Q E</p>			
B	REVISED & REDRAWN						
REV.	DESCRIPTION	DATE	CHKD				
<p style="font-size: small;">THE INFORMATION CONTAINED IN THIS DOCUMENT IS PROPRIETARY TO E-SWITCH AND IS NOT TO BE COPIED OR TRANSFERRED</p>							
<p style="font-size: x-small;">TOLERANCES</p> <table border="1"> <tr> <td>±0.4</td> <td>±0.25</td> </tr> <tr> <td>0.0</td> <td>0.00</td> </tr> </table>		±0.4	±0.25	0.0	0.00	<p>SCALE: 2:1</p>	<p>DATE: 1/15/97</p>
±0.4	±0.25						
0.0	0.00						
	<p>DR: MM</p>	<p>DWG: T221001</p>	<p>REV: B</p>				