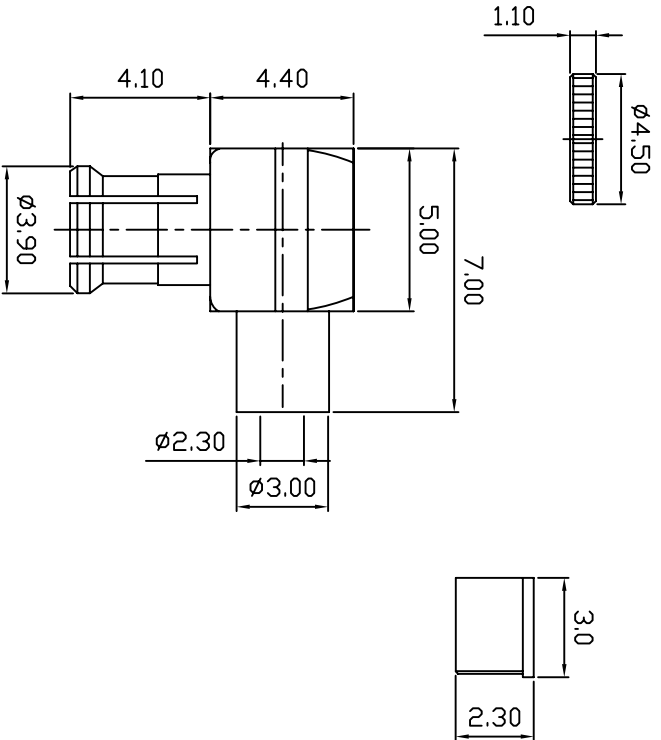


Rev	AWO #	Description	Date	Appr
-		RELEASED	10/6/06	

APPROVED: _____
 DATE: _____ TITLE: _____



NO	Description	Qty	Material	Finish
6	INSULATOR	1	P.P.	NONE
5	COVER	1	BRASS	GOLD
4	BODY B	1	BRASS	GOLD
3	INSULATOR	1	TEFLON	NONE
2	PIN	1	BRASS	GOLD
1	BODY A	1	Be Cu	GOLD

UNLESS OTHERWISE SPECIFIED ALL DIMENSIONS ARE INCHES [MM]	
TOLERANCES: EXCEPT AS NOTED	
INCHES	HOLES
.X ± .10	Ø.X ± .10
.XX ± .020	Ø.XX ± .015
.XXX ± .015	Ø.XXX ± .010
APPROVALS	DATE
DRAWN SS	10/06/06
CHECKED	
APPROVED	

ADAM TECH
 909 Rahway Avenue, Union, NJ 07083
 Phone: 908-687-5000 Fax: 908-687-5710

TITLE: MCX MALE R/A, SEMI RIGID, .085

ELECTRICAL:
 Frequency range: 0-4 GHz
 Voltage rating: 500 Volts AC
 VSWR: 1.2 max 0-2 GHz
 Impedance: 75 OHMS
 Environmental:
 Lead free, RoHS compliant.



SIZE	PART NO.	REV.
X	RF11-12-T-08-75-G	
SCALE:	NFS	SHEET 1 OF 1

6 5 4 3 2 1