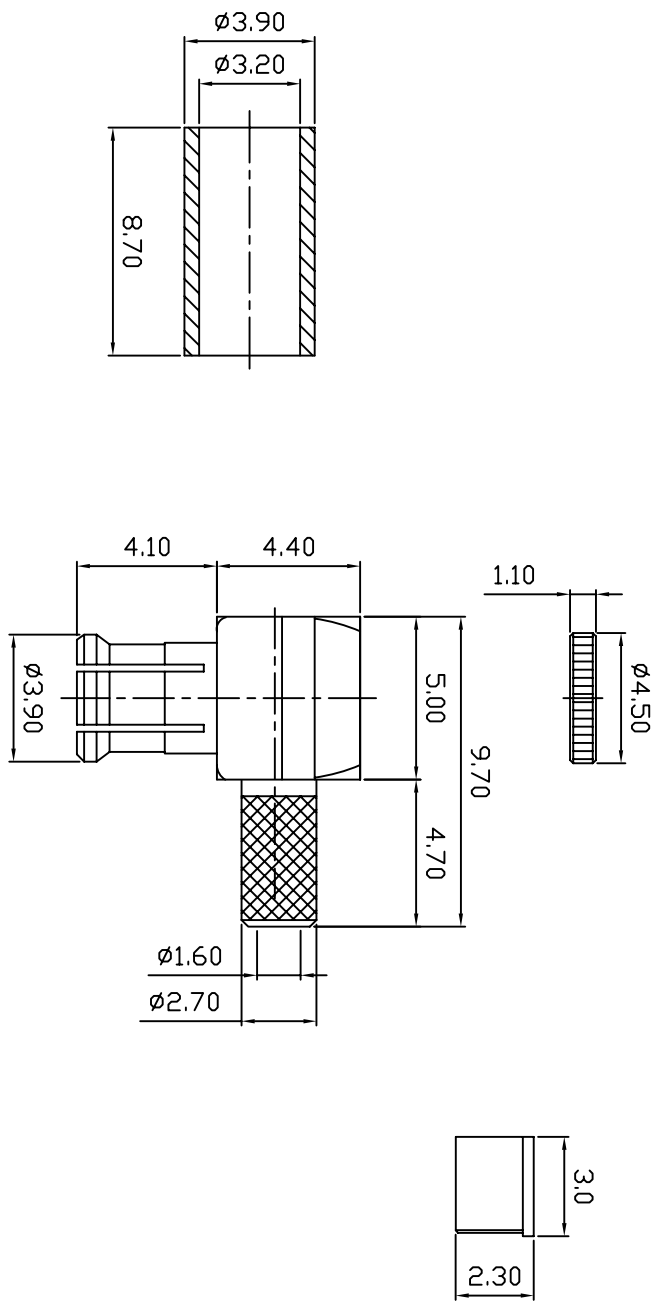


Rev	AWO #	Description	Date	Appr
-		RELEASED	10/6/06	

APPROVED: _____
 DATE: _____ TITLE: _____



NO	Description	Qty	Material	Finish
6	CAP	1	BRASS	GOLD
5	FERRULE	1	BRASS	GOLD
4	DIELECTRIC	1	TEFLON	NONE
3	PIN	1	PHOS BRONZE	GOLD
2	BODY	1	BERYLLIUM	GOLD
1	BODY	1	BRASS	GOLD

UNLESS OTHERWISE SPECIFIED
 ALL DIMENSIONS ARE INCHES [MM]
 TOLERANCES: EXCEPT AS NOTED
 INCHES: .10
 .XX ± .020
 .XXX ± .015
 HOLES: .10
 .XX ± .015
 .XXX ± .010

APPROVALS	DATE
DRAWN SS	10/06/06
CHECKED	
APPROVED	

ADAM TECH
 909 Rahway Avenue, Union, NJ 07083
 Phone: 908-687-5000 Fax: 908-687-5710

TITLE: MCX MALE R/A, CRIMP, RG174

SIZE	PART NO.
X	RF11-11-T-03-75-G

SCALE	NTS	SHEET 1 OF 1

ELECTRICAL:
 Frequency range: 0-4 GHz
 Voltage rating: 500 Volts AC
 VSWR: 1.2 max 0-2 GHz
 Impedance: 75 OHMS
 Environmental:
 Lead free, RoHS compliant.



6 5 4 3 2 1