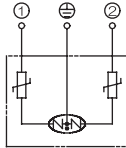




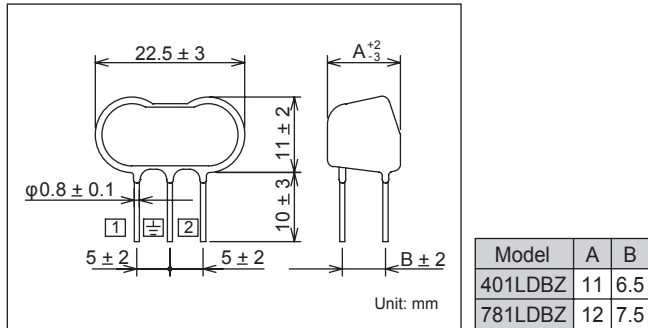
R-A-V-LDEZ

Designed specifically for use in AC power line applications. This model uses specially treated discharge electrodes for greatly enhanced noise immunity test and surge life making it optimum for the protection of single-phase power supply circuits.

● **Circuit**



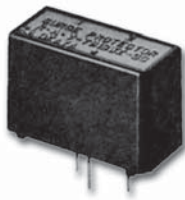
● **Dimensions**



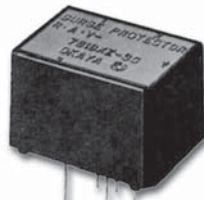
R-A-V-BWZ-3C, BXZ-3C

Use of surge protectors: Inverter, NC control systems, Welding machines and etc.

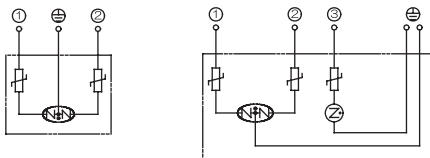
BWZ-3C series



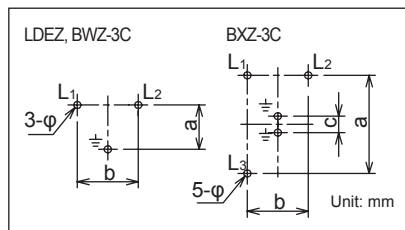
BXZ-3C series



● **Circuit**



● **Print circuit board hole dimensions**



Model Number	Dimensions (mm)			
	a	b	c	φ
401LDEZ	6.5	10	-	1.2*
781LDEZ	7.5			
401BWZ-3C	6	10	-	1.2*
78BWZ-3C	6.9			
781BXZ-3C	16.6	2.8		

* Reference Value

Electrical Specifications

Safety Standard	Model Number	Line Voltage 50/60Hz	Max. Line Voltage (V)	Clamp Voltage (V) ±10%	Impulse Discharge Current 8/20μS (A)	Impulse Withstand Voltage 1.2/50μS (V)	Capacitance (pF) Central Value	Operating Temp. Range (°C)	Weight (g)
UL	R-A-V-401LDEZ	Single Phase	AC125V	145	1,000	12,000	100	-20 ~ +70	10
	R-A-V-781LDEZ	Single Phase	AC250V	300			50		
CSA	R-A-V-401BWZ-3C	Single Phase	AC125V	145	2,500	20,000	100		20
	R-A-V-781BWZ-3C	Single Phase	AC250V	300			50		30
	R-A-V-781BXZ-3C	Three Phase	AC250V						