

**APPLICABLE SOCKETS:**  
[SO-1021-7127/7126](http://www.esterline.com/so-1021-7127/7126)

**FEATURES AND CHARACTERISTICS**

- Contacts: 2 PDT or 4 PDT
- Hermetically sealed
- Weight: 10 oz. max.
- Sensing range: 90 to 124 Vac
- Temperature range: -55°C to +125° C
- Custom units available

**GENERAL SPECIFICATIONS**

Input voltage	90 to 124 Vac, line to neutral 400 Hz ± 20 Hz, 3 phase WYE
Pick-up time	50 ms, max.
Drop-out time	50 ms, max.
Configuration and contact rating	2 PDT, 2 Amp or 10 Amp, 4 PDT, 10 Amp
Temperature range	-55° C to + 125° C
Maximum operating current	75 milliamperes
Voltage transients	PER MIL-STD-704A, CAT.B
Operating cycles at rated resistive load	100,000 cycles min.
Vibration	0.06" D.A., 5 to 80 Hz, 20 g, 80 to 2000 Hz
Shock	50 g, 11 ± 1 ms, 1/2 sine, 3 axes
Acceleration	20 g in any axis
Finish	Tin Plate PER MIL-T-10727
Detailed ordering information	See next page



Featuring **LEACH**® power and control solutions  
[www.esterline.com](http://www.esterline.com)

**AMERICAS**  
6900 Orangethorpe Ave.  
P.O. Box 5032  
Buena Park, CA 90622

Tel: (01) 714-736-7599  
Fax: (01) 714-670-1145

**EUROPE**  
2 Rue Goethe  
57430 Sarralbe  
France

Tel: (33) 3 87 97 31 01  
Fax: (33) 3 87 97 96 86

**ASIA**  
Units 602-603 6/F Lakeside 1  
No.8 Science Park West Avenue  
Phase Two, Hong Kong Science Park  
Pak Shek Kok, Tai Po, N.T.  
Hong Kong  
Tel: (852) 2 191 3830  
Fax: (852) 2 389 5803

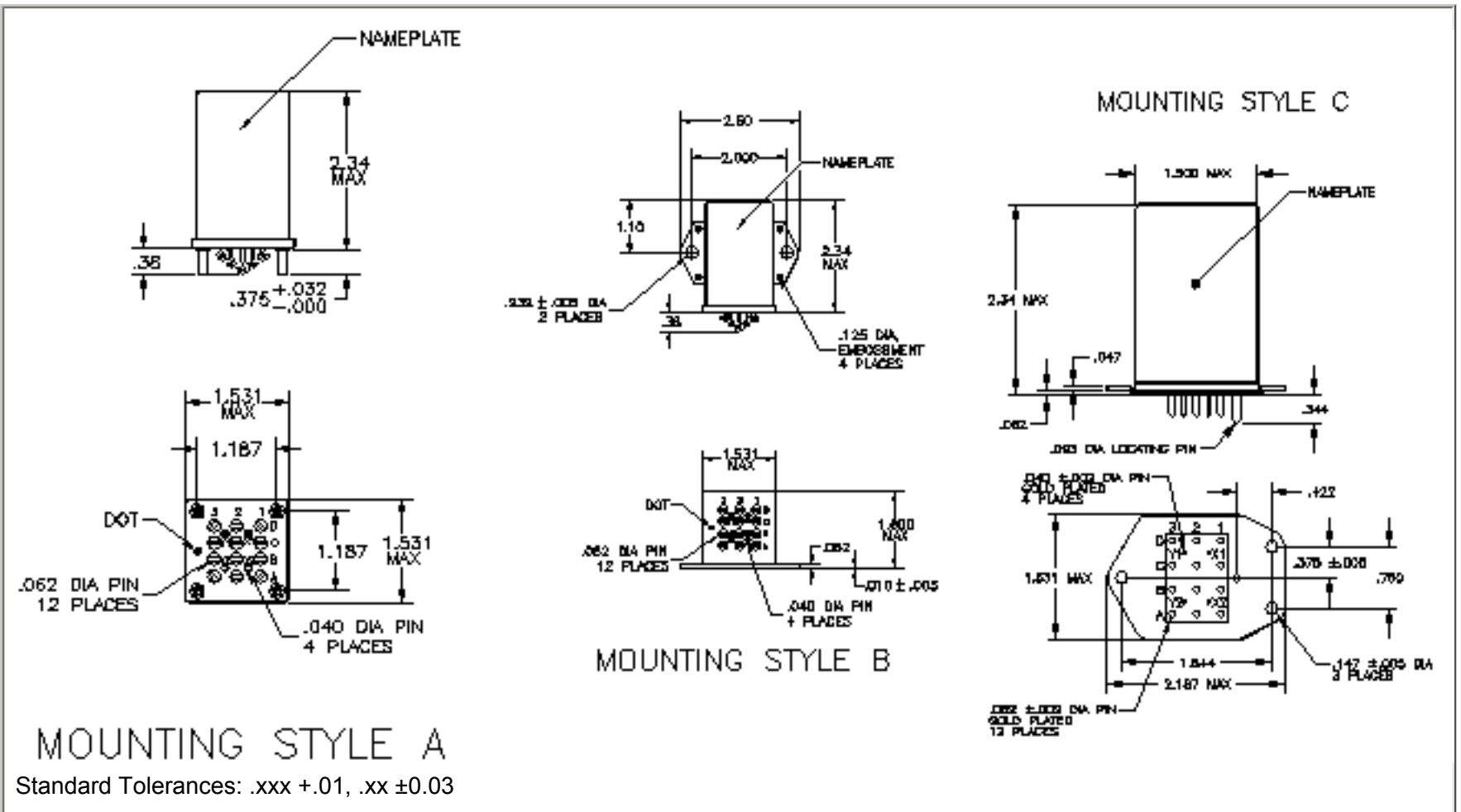
Data sheets are for initial product selection and comparison. Contact Esterline Power Systems prior to choosing a component.

	<u>P510</u>	-	<u>J</u>	-	<u>B</u>	<u>A</u>
Basic series designation: AC sequence sensor, P510 can size_____						
1-Output Configuration: J series relay, 2 PDT, 10 Amps Res, @28 Vdc _____						
3-Temperature range: -55° C to +125° C_____						
4-Mounting Style And Terminals: Style A_____						

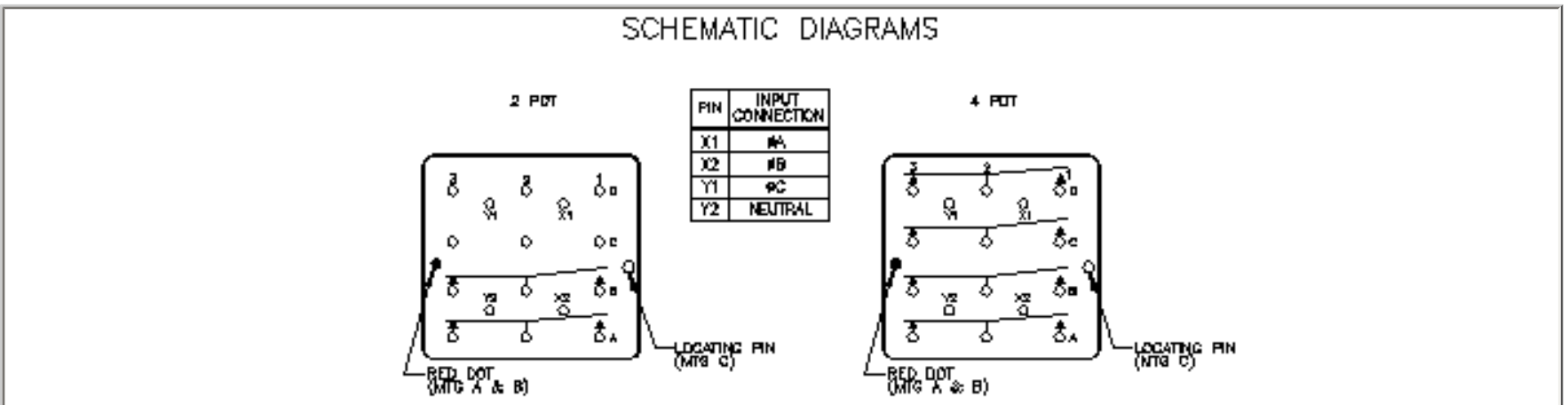
<p><b>1. SERIES NUMBER</b> Indicates physical dimensions and weight P510 1.53 x 1.53 x 2.34 wt 10 oz. max</p>	<p><b>3. TEMPERATURE RANGE AND ACCURACY</b></p> <table border="0"> <tr> <td style="text-align: center;">Code Letter</td> <td style="text-align: center;">Temp, Range</td> </tr> <tr> <td style="text-align: center;">A</td> <td style="text-align: center;">-55° To +85°C</td> </tr> <tr> <td style="text-align: center;">B</td> <td style="text-align: center;">-55° To +125°C</td> </tr> </table>	Code Letter	Temp, Range	A	-55° To +85°C	B	-55° To +125°C
Code Letter	Temp, Range						
A	-55° To +85°C						
B	-55° To +125°C						
<p><b>2. OUTPUT CONFIGURATION, CONTACT RATINGS</b> MIL-PRF-83536 TYPE <u>J</u> 2 PDT, Leach series J relay, 10 Amp resistive, @28 Vdc and 115 Vac, 400 Hz <u>K</u> 4 PDT, Leach series K relay, 10 Amp resistive, @28 Vdc and 115 Vac, 400 Hz</p>	<p><b>4. MOUNTING STYLES AND TERMINALS</b> See next page</p>						
<p>NOTE: For additional data on contact ratings, contact the factory.</p>							

**NOTES**

<p>1. Operating Mode The output relay energizes when the phase sequence is ABC and De-energizes for all other phase sequences; Open neutral or loss of voltage of any phase.</p>														
<p>2. Dielectric Strength</p> <table border="0"> <tr> <td>Input to case</td> <td style="text-align: right;">1,000 Vrms</td> </tr> <tr> <td>2 Amp contacts</td> <td></td> </tr> <tr> <td>contacts to case</td> <td style="text-align: right;">1,000 Vrms</td> </tr> <tr> <td>Across open contacts</td> <td style="text-align: right;">500 Vrms</td> </tr> <tr> <td>10 Amp contacts</td> <td></td> </tr> <tr> <td>contacts to case</td> <td style="text-align: right;">1,250 Vrms</td> </tr> <tr> <td>Across open contacts</td> <td style="text-align: right;">1,250 Vrms</td> </tr> </table>	Input to case	1,000 Vrms	2 Amp contacts		contacts to case	1,000 Vrms	Across open contacts	500 Vrms	10 Amp contacts		contacts to case	1,250 Vrms	Across open contacts	1,250 Vrms
Input to case	1,000 Vrms													
2 Amp contacts														
contacts to case	1,000 Vrms													
Across open contacts	500 Vrms													
10 Amp contacts														
contacts to case	1,250 Vrms													
Across open contacts	1,250 Vrms													
<p>3. Contact factory for phase sensor requirements not covered in this publication.</p>														



**SCHEMATIC DIAGRAM**



**MOUNTING DIMENSIONS**

