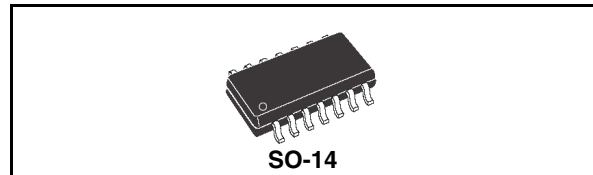


0.5 A high-side driver quad intelligent power switch

Features

- Multipower BCD technology
- 0.5 A output current
- 8 to 35 V supply voltage range
- Externally programmable current limit
- Non-dissipative over-current protection
- Thermal shutdown
- Under voltage lockout with hysteresis
- Diagnostic output for under voltage, over temperature and over current
- External asynchronous reset input
- Presetable delay for overcurrent diagnostic
- Open ground protection
- Protection against surge transient (IEC 61000-4-5)
- Immunity against burst transient (IEC 61000-4-4)



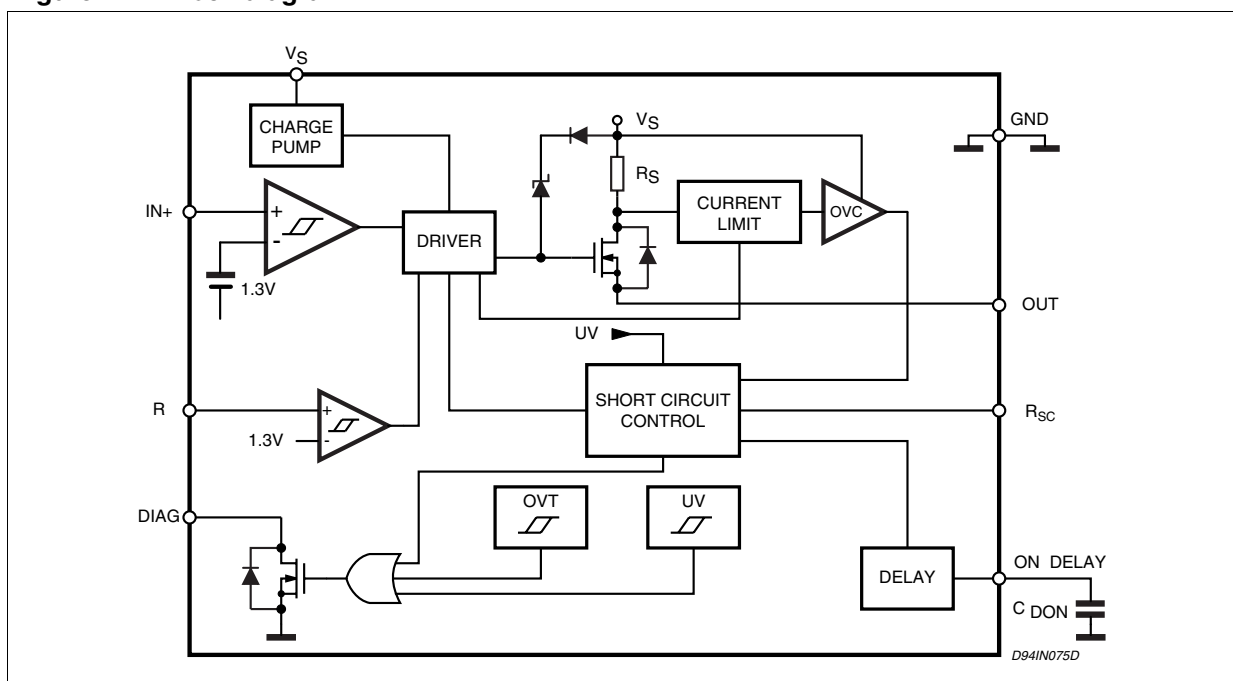
Description

This device is a monolithic intelligent power switch in multipower BCD technology for driving inductive, capacitive or resistive loads. Diagnostic for CPU feedback and extensive use of electrical protections make this device inherently indistructible and suitable for general purpose industrial applications.

Table 1. Device summary

Order codes	Package	Packaging
L6377D	SO-14	Tube
L6377D013TR	SO-14	Tape and reel

Figure 1. Block diagram



Contents

1	Maximum rating	3
1.1	Absolute maximum ratings	3
1.2	Thermal data	3
2	Pin connections	4
3	Electrical characteristics	5
4	Input section	8
5	Over temperature protection (OVT)	8
6	Under voltage protection (UV)	8
7	Over current operation	9
8	Demagnetisation of inductive loads	11
9	Package mechanical data	13
10	Revision history	15

1 Maximum rating

1.1 Absolute maximum ratings

Table 2. Absolute maximum ratings

Symbol	Pin	Parameter	Value	Unit
V_s	4	Supply voltage ($t_w \leq 10$ ms)	50	V
		Supply voltage (DC)	40	V
$V_s - V_{out}$	4 vs 3	Supply to output differential voltage	internally limited	
V_{od}	10	Externally forced voltage	-0.3 to 7	V
I_{od}		Externally forced current	± 1	mA
I_{RESET}	5	Reset input current (forced)	± 2	mA
V_{RESET}		Reset input voltage	-0.3 to 40	V
I_{out}	3	Output current (see also I_{sc})	internally limited	
V_{out}		Output voltage	internally limited	
E_{il}		Total energy inductive load ($T_J = 125$ °C)	50	mJ
P_{tot}		Power dissipation	internally limited	
V_{diag}	11	External voltage	-0.3 to 40	V
I_{diag}		Externally forced current	-10 to 10	mA
I_i	12	Input current	20	mA
V_i		Input voltage	-10 to $V_s + 0.3$	V
T_{op}		Ambient temperature, operating range	-25 to 85	°C
T_J		Junction temperature, operating range (see overtemperature protection)	-25 to 125	°C
T_{stg}		Storage temperature	-55 to 150	°C

1.2 Thermal data

Table 3. Thermal data

Symbol	Parameter	Value	Unit
R_{thJA}	Thermal resistance, junction to ambient (max)	150	°C/W

2 Pin connections

Figure 2. Pin connections (top view)

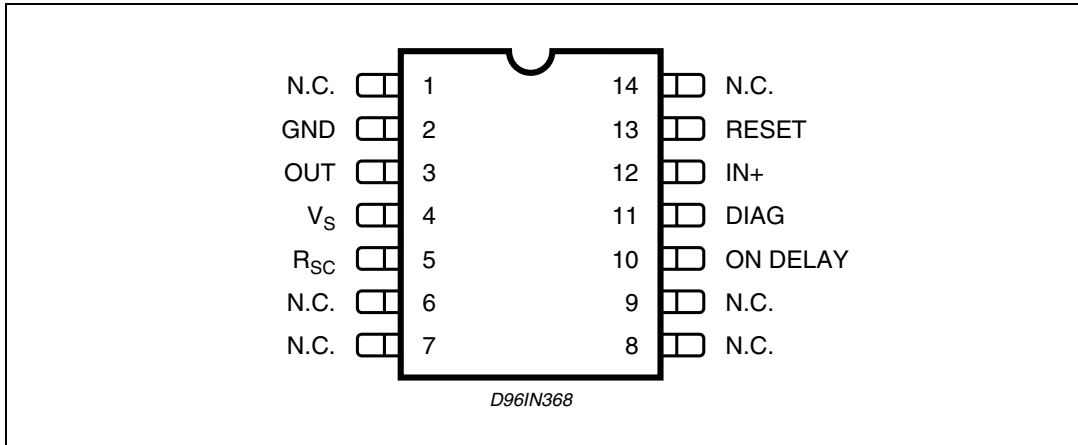


Table 4. Pin description

N#	Pin name	Function
1, 6, 7, 8, 9, 14	N.C.	Not connected
2	GND	Ground pin
3	OUT	High side output. Controlled output with current limitation
4	Vs	Supply voltage. Range with under voltage monitoring
5	Rsc	Current limiting setting
10	ON DELAY	Delay setting for overcurrent diagnostic
11	DIAG	Diagnostic open drain output for over temperature, under voltage and overcurrent
12	IN+	Comparator non inverting input
13	RESET	Asynchronous reset input

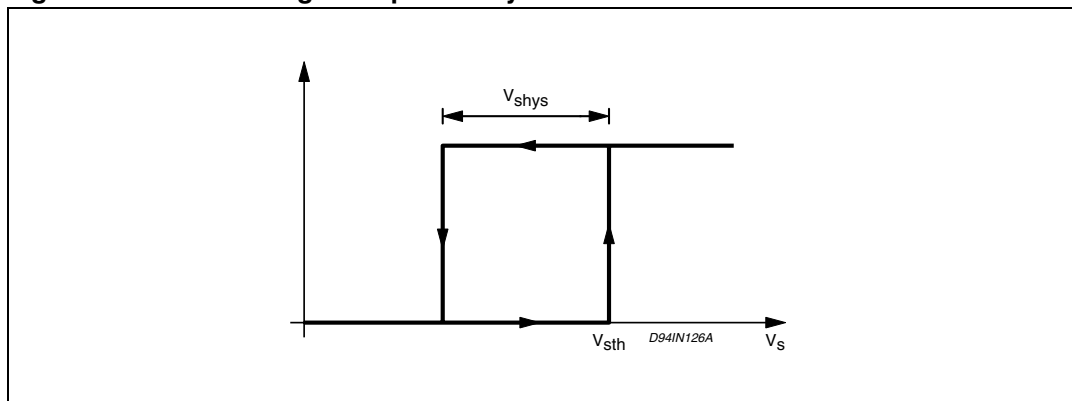
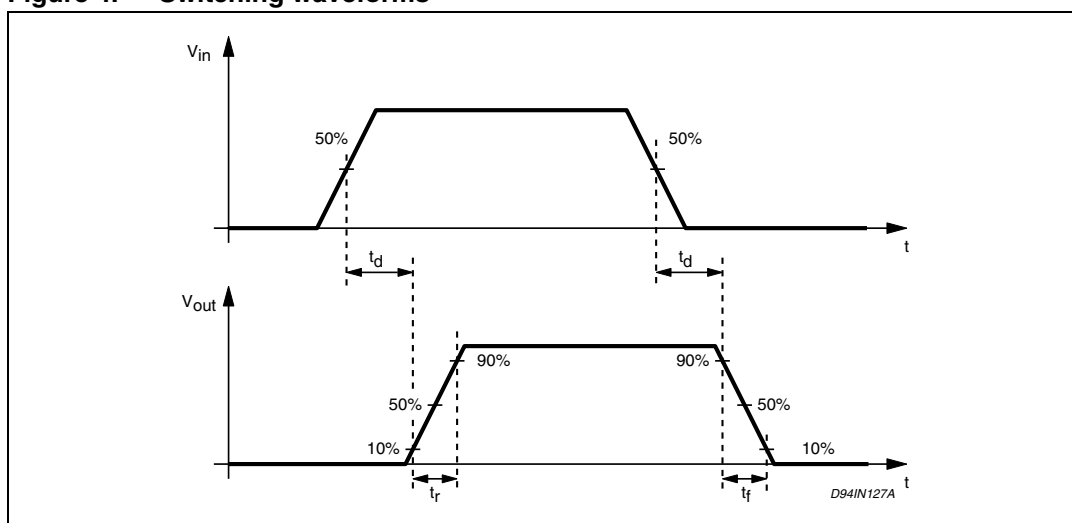
3 Electrical characteristics

Table 5. Electrical characteristics
($V_s = 24\text{ V}$; $T_J = -25\text{ to }125\text{ }^\circ\text{C}$; unless otherwise specified.)

Symbol	Pin	Parameter	Test condition	Min	Typ	Max	Unit
DC operation							
V_{smin}	4	Supply voltage for valid diagnostic	$I_{diag} \geq 0.5\text{ mA}$; $V_{diag} = 1.5\text{ V}$;	4		35	V
V_s		Operative supply voltage		8	24	35	V
V_{sth}		Under voltage lower threshold		7		8	V
V_{shys}		Under voltage hysteresis		300	500	700	mV
I_q		Quiescent current	Output open		800		μA
I_{qo}		Quiescent current	Output on		1.6		mA
V_{ith}		12	Input threshold voltage		0.8	1.3	2
V_{iths}	Input threshold hysteresis			50		400	mV
V_{il}	Input low level voltage			-7		0.8	V
V_{ih}	Input high level voltage		$V_s < 18\text{ V}$	2		$V_s - 3$	V
			$V_s > 18\text{ V}$	2		15	V
I_{ib}	Input bias current		$V_i = -7\text{ to }15\text{ V}$	-250		250	μA
V_{rth}	13	Reset threshold voltage		0.8	1.3	2	V
V_{rl}		Reset low level voltage		0		0.8	V
V_{rh}		Reset high level voltage		2		40	V
I_{rb}		Reset pull down current			5		μA
I_{dch}	10	Delay capacitor charging current	ON delay pin shorted to Ground		2.5		μA
V_{rsc}	5	Output voltage on R_{sc} pin	R_{sc} pin floating		1.25		V
I_{rsc}		Output current on R_{sc} pin	R_{sc} pin shorted to GND			300	μA
I_{dlkg}	11	Diagnostic output leakage current	Diagnostic off			25	μA
V_{diag}		Diagnostic output voltage drop	$I_{diag} = 5\text{ mA}$;			1.5	V

Table 5. Electrical characteristics (continued)
($V_s = 24\text{ V}$; $T_J = -25\text{ to }125\text{ }^\circ\text{C}$; unless otherwise specified.)

Symbol	Pin	Parameter	Test condition	Min	Typ	Max	Unit	
V_{don}		Output voltage drop	$I_{out} = 625\text{ mA}$; $T_J = 25\text{ }^\circ\text{C}$		250	350	mV	
			$I_{out} = 625\text{ mA}$; $T_J = 125\text{ }^\circ\text{C}$		400	550	mV	
I_{olk}	3	Output leakage current	$V_i = \text{LOW}$; $V_{out} = 0$			100	μA	
V_{ol}		Output low state voltage	$V_i = \text{HIGH}$; pin floating		0.8	1.5	V	
V_{cl}		Internal voltage clamp ($V_s - V_{out}$)	$I_o = 200\text{ mA}$ single pulsed =300ms	48	53	58	V	
I_{sc}		Short circuit output current	$V_s = 8\text{ to }35\text{ V}$; $R_l = 2\text{ }\Omega$; $R_{sc} = 5\text{ to }30\text{ K}\Omega$	$5/R_{sc} = \text{K}\Omega$				A
			$V_s = 8\text{ to }35\text{ V}$; $R_l = 2\text{ }\Omega$; $R_{sc} < 5\text{ K}\Omega$	0.75	1.1	1.5	A	
T_{max}		Over temperature upper threshold			150		$^\circ\text{C}$	
T_{hys}		Over temperature hysteresis			20		$^\circ\text{C}$	
AC operation								
$t_r - t_f$	3	Rise or fall time	$V_s = 24\text{ V}$; $R_l = 70\text{ }\Omega$ R_l to ground		20		μs	
t_d		Delay time			5		μs	
dV/dt		Slew rate (rise and fall edge)	$V_s = 24\text{ V}$; $R_l = 70\text{ }\Omega$ R_l to ground	0.7	1	1.5	V/ μs	
t_{ON}	10	On time during short circuit condition	$50\text{ pF} < C_{DON} < 2\text{ nF}$		1.28		$\mu\text{s/pF}$	
t_{OFF}		Off time during short circuit condition			64		t_{ON}	
f_{max}		Maximum operating frequency			25		kHz	
Source drain NDMOS diode								
V_{fSD}		Forward on voltage	$I_{fSD} = 625\text{ mA}$		1	1.5	V	
I_{fp}		Forward peak current	$t_p = 10\text{ ms}$; duty cycle = 20 %			1.5	A	
t_{rr}		Reverse recovery time	$I_{fSD} = 500\text{ mA}$; $dI_{fSD}/dt = 25\text{ A}/\mu\text{s}$		200		ns	
t_{fr}		Forward recovery time			50		ns	

Figure 3. Undervoltage comparator hysteresis**Figure 4. Switching waveforms**

4 Input section

An Input and Asynchronous RESET, both TTL/CMOS compatible with wide voltage range and high noise immunity (thanks to a built in hysteresis) are available.

5 Over temperature protection (OVT)

An on-chip Over Temperature Protection provides an excellent protection of the device in extreme conditions. Whenever the temperature - measured on a central portion of the chip - exceeds $T_{\max} = 150\text{ °C}$ (typical value) the device is shut off, and the DIAG output goes LOW.

Normal operation is resumed as the chip temperature (normally after few seconds) falls below $T_{\max} - T_{\text{hys}} = 130\text{ °C}$ (typical value). The hysteresis avoid that an intermittent behaviour take place.

6 Under voltage protection (UV)

The supply voltage is expected to range from 8 to 35 V. In this range the device operates correctly. Below 8V the overall system has to be considered not reliable. To avoid any malfunctioning the supply voltage is continuously monitored to provide an under voltage protection. As V_s falls below $V_{\text{sth}} - V_{\text{shys}}$ (typically 7.5 V, see fig. 4) the output power MOS is switched off and DIAG output goes LOW. Normal operation is resumed as soon as V_s exceeds V_{sth} . The hysteretic behaviour prevents intermittent operation at low supply voltage.

7 Over current operation

In order to implement a short circuit protection the output power MOS is driven in linear mode to limit the output current to the I_{sc} value. This I_{sc} limit is externally settable by means of an external 1/4 W resistor connected from R_{sc} pin and GND. The value of the resistor must be chosen according to the following formula:

$$I_{sc} \text{ (A)} = 5/R_{sc} \text{ (k}\Omega\text{)}$$

with

$$5 < R_{sc} < 30 \text{ (k}\Omega\text{)}$$

For

$$R_{sc} < 5 \text{ (k}\Omega\text{)}$$

I_{sc} is limited to $I_{sc} = 1.1 \text{ A}$ (typical value).

This condition (current limited to the I_{sc} value) lasts for a t_{on} time interval, that can be set by means of a capacitor (C_{DON}) connected to the ON DELAY pin according to the following formula:

$$t_{on} = 1.28 \mu\text{s/pF}$$

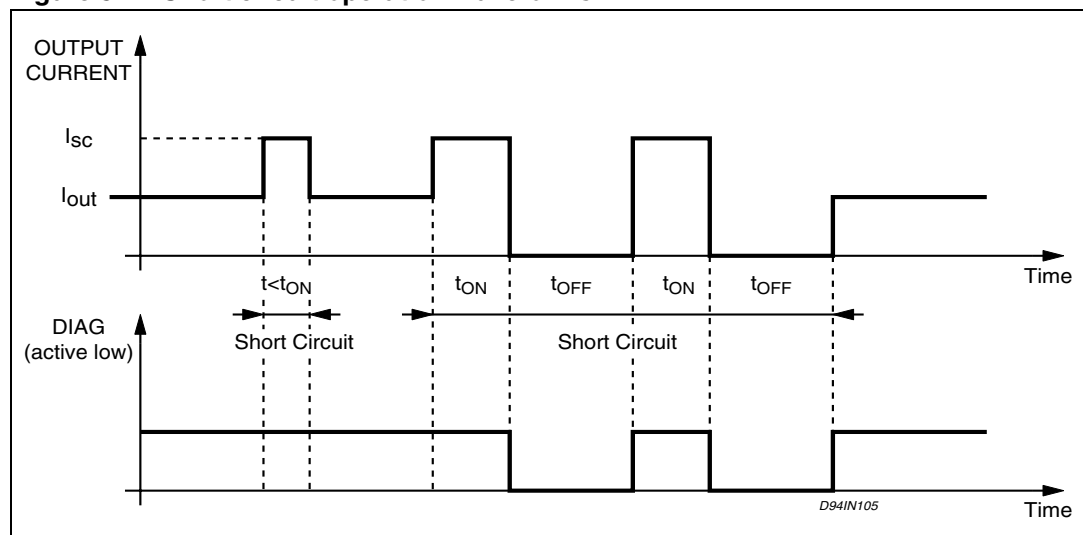
for

$$50 \text{ pF} < C_{DON} < 2 \text{ nF}$$

After the t_{on} interval has expired the output power MOS is switched off for the t_{off} time interval with:

$$t_{off} = 64 \cdot t_{on}$$

Figure 5. Short circuit operation waveforms



When also the t_{OFF} interval has expired, the output power MOS is switched ON.

Now two conditions may occur

- the overload is still present. In this case the output power MOS is again driven in linear mode (limiting the output current to I_{sc}) for another t_{ON} , starting a new cycle, or
- the overload condition is removed, and the output power MOS is no longer driven in linear mode.

All these occurrences are presented on the DIAG pin (see fig 5). We call this unique feature non dissipative short circuit protection and it ensures a very safe operation even in permanent overload conditions. Note that, of course, choosing the most appropriate value for the t_{ON} interval (i.e. the value of the C_{DON} capacitor) a delay (the t_{ON} itself) will prevent that a misleading Short Circuit information is presented on the DIAG output, when driving capacitive loads (that acts like short circuit in the very beginning) or Incandescent Lamp (a cold filament has a very low resistive value).

The non dissipative short circuit protection can be disabled (keeping $t_{ON} = 0$ but with the output current still limited to I_{sc} , and Diagnostic disabled) simply shorting to ground the the ON DELAY pin.

8 Demagnetisation of inductive loads

The L6377 has an internal clamping zener diode able to demagnetise inductive loads. Note that the limitation comes from the peak power that the package can handle. Attention must be paid to a proper thermal design of the board. If, for whatever reason (load current or inductive value too big) the peak power dissipation is too high, an external Zener plus Diode arrangement, can perform a demagnetisation versus Ground or versus V_S (see fig 5 and 6). The breakdown voltage of the external Zener Diode must be chosen considering the internal clamping voltage (V_{cl}) and the supply voltage (V_S) according to:

$$V_Z < V_{cl(min)} - V_{S(max)}$$

for demagnetisation versus ground or

$$V_{S(max)} < V_Z < V_{cl(min)}$$

for demagnetisation versus V_S .

Figure 6. Input comparator hysteresis

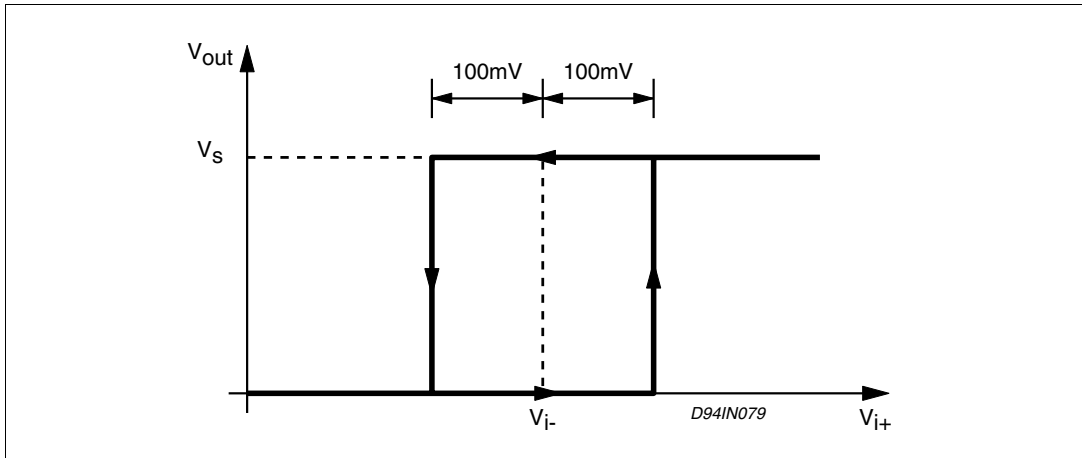


Figure 7. External demagnetisation circuit (versus ground)

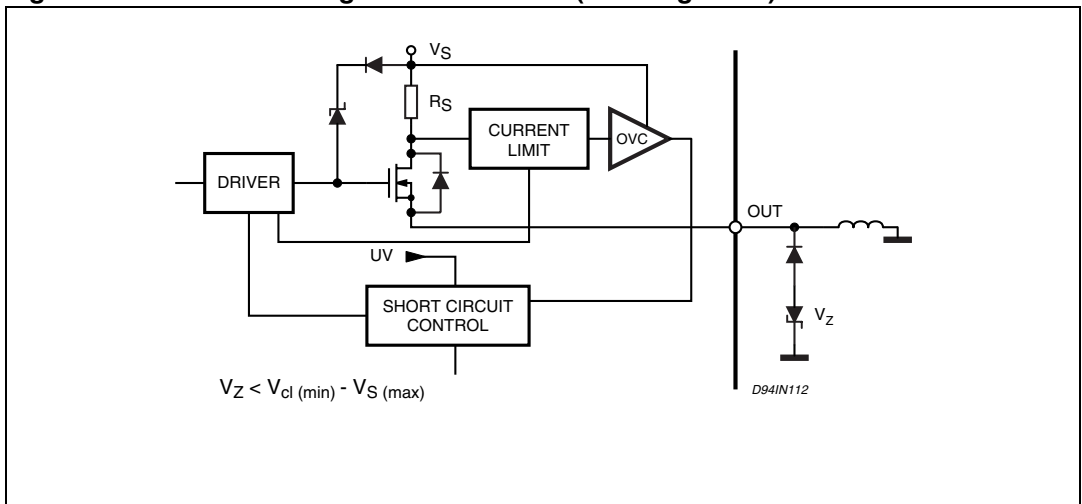
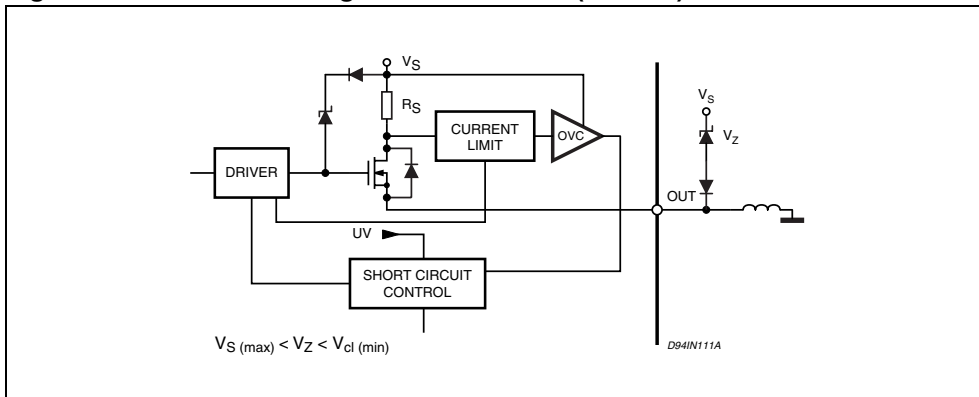


Figure 8. External demagnetisation circuit (versus)



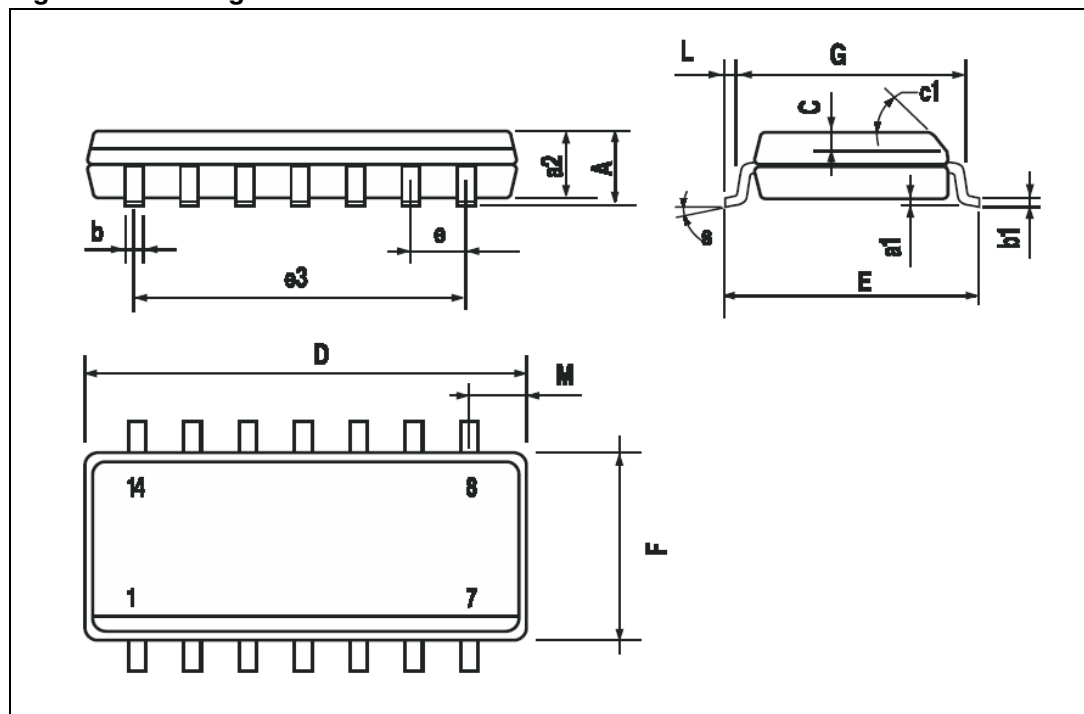
9 Package mechanical data

In order to meet environmental requirements, ST offers these devices in ECOPACK® packages. These packages have a lead-free second level interconnect . The category of second level interconnect is marked on the package and on the inner box label, in compliance with JEDEC Standard JESD97. The maximum ratings related to soldering conditions are also marked on the inner box label. ECOPACK is an ST trademark. ECOPACK specifications are available at: www.st.com

Table 6. SO-14 mechanical data

Dim.	mm			inch		
	Min	Typ	Max	Min	Typ	Max
A			1.75			0.069
a1	0.1		0.25	0.004		0.009
a2			1.6			0.063
b	0.35		0.46	0.014		0.018
b1	0.19		0.25	0.007		0.010
C		0.5			0.020	
c1	45° (typ.)					
D (1)	8.55		8.75	0.336		0.344
E	5.8		6.2	0.228		0.244
e		1.27			0.050	
e3		7.62			0.300	
F (1)	3.8		4	0.150		0.157
G	4.6		5.3	0.181		0.209
L	0.4		1.27	0.016		0.050
M			0.68			0.027
S	8° (max.)					

Figure 9. Package dimensions



10 Revision history

Table 7. Document revision history

Date	Revision	Changes
August 2001	3	First Issue in EDOCS dms
25-Feb-2008	4	Modified: Removed obsolete package DIP-14

Please Read Carefully:

Information in this document is provided solely in connection with ST products. STMicroelectronics NV and its subsidiaries ("ST") reserve the right to make changes, corrections, modifications or improvements, to this document, and the products and services described herein at any time, without notice.

All ST products are sold pursuant to ST's terms and conditions of sale.

Purchasers are solely responsible for the choice, selection and use of the ST products and services described herein, and ST assumes no liability whatsoever relating to the choice, selection or use of the ST products and services described herein.

No license, express or implied, by estoppel or otherwise, to any intellectual property rights is granted under this document. If any part of this document refers to any third party products or services it shall not be deemed a license grant by ST for the use of such third party products or services, or any intellectual property contained therein or considered as a warranty covering the use in any manner whatsoever of such third party products or services or any intellectual property contained therein.

UNLESS OTHERWISE SET FORTH IN ST'S TERMS AND CONDITIONS OF SALE ST DISCLAIMS ANY EXPRESS OR IMPLIED WARRANTY WITH RESPECT TO THE USE AND/OR SALE OF ST PRODUCTS INCLUDING WITHOUT LIMITATION IMPLIED WARRANTIES OF MERCHANTABILITY, FITNESS FOR A PARTICULAR PURPOSE (AND THEIR EQUIVALENTS UNDER THE LAWS OF ANY JURISDICTION), OR INFRINGEMENT OF ANY PATENT, COPYRIGHT OR OTHER INTELLECTUAL PROPERTY RIGHT.

UNLESS EXPRESSLY APPROVED IN WRITING BY AN AUTHORIZED ST REPRESENTATIVE, ST PRODUCTS ARE NOT RECOMMENDED, AUTHORIZED OR WARRANTED FOR USE IN MILITARY, AIR CRAFT, SPACE, LIFE SAVING, OR LIFE SUSTAINING APPLICATIONS, NOR IN PRODUCTS OR SYSTEMS WHERE FAILURE OR MALFUNCTION MAY RESULT IN PERSONAL INJURY, DEATH, OR SEVERE PROPERTY OR ENVIRONMENTAL DAMAGE. ST PRODUCTS WHICH ARE NOT SPECIFIED AS "AUTOMOTIVE GRADE" MAY ONLY BE USED IN AUTOMOTIVE APPLICATIONS AT USER'S OWN RISK.

Resale of ST products with provisions different from the statements and/or technical features set forth in this document shall immediately void any warranty granted by ST for the ST product or service described herein and shall not create or extend in any manner whatsoever, any liability of ST.

ST and the ST logo are trademarks or registered trademarks of ST in various countries.

Information in this document supersedes and replaces all information previously supplied.

The ST logo is a registered trademark of STMicroelectronics. All other names are the property of their respective owners.

© 2008 STMicroelectronics - All rights reserved

STMicroelectronics group of companies

Australia - Belgium - Brazil - Canada - China - Czech Republic - Finland - France - Germany - Hong Kong - India - Israel - Italy - Japan - Malaysia - Malta - Morocco - Singapore - Spain - Sweden - Switzerland - United Kingdom - United States of America

www.st.com