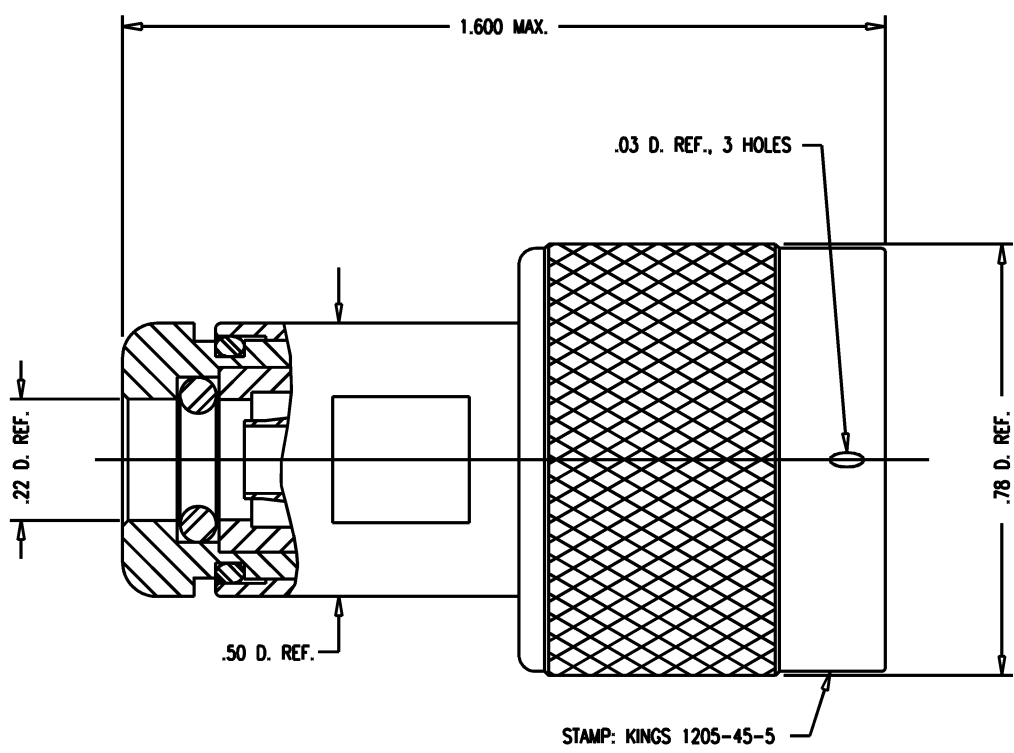


GSD

1205-45-5

REVISIONS		
ISSUE	CHANGES	
0	ER JCA	34243 11/11/92
1	CN JCA	34625 E 05/13/93
2	CN JCA	34826 D 08/09/93



- NOTES:
- FOR USE WITH M17/028-RG058, /84-RG223 & /060-RG142 CABLE GROUPS.
 - FOR CABLING INSTRUCTIONS SEE RG058 SECTION OF 3-526.
 - INTERFACE PER MIL-STD-348, FIG. 304-1.
 - MATERIALS:
 - INSULATORS: TEFLON, ASTM-D-1457
 - GASKET & O-RING: SIL. RUB., ZZ-R-765
 - C-RING } PHOS. BRONZE, QQ-B-750
 - OUTER CONTACT }
 - ALL OTHER PARTS: BRASS, ASTM-B16
 - FINISHES:
 - CONTACT M: HARD GOLD PLATE PER MIL-G-45204
 - ALL OTHER METAL PARTS: SILVER PLATE PER QQ-S-365
 - ELECTRICAL CHARACTERISTICS:
 - NOMINAL IMPEDANCE: 50 OHMS
 - VOLTAGE RATING: 1000 VRMS
 - FREQUENCY RANGE: DC TO 11 GHz

JCA1721

SCALE	4:1	
APPROX SURFACE AREA	WAS: E-17690	
USED ON		
REF:	PLUG, N, W/P TAPER GRIP	
DRAWN	JCA	DATE 06/10/91
DESIGN	MJB	DATE 06/10/91
APPR.		DATE

KINGS
ELECTRONICS CO., INC.
TUCKAHOE, NEW YORK 10707

1205-45-5

GSD