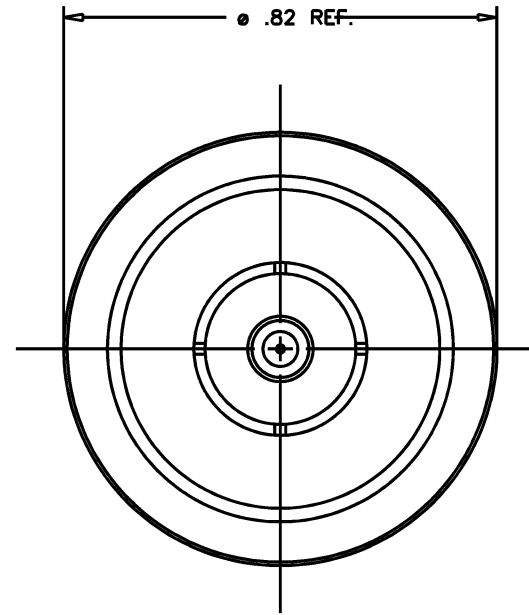
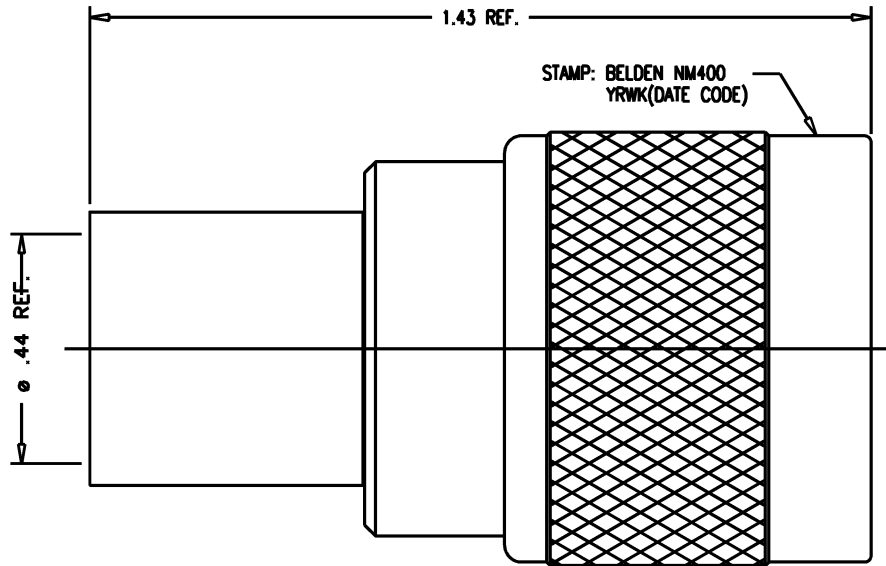


# GSD



**NOTES:**

1. FOR USE WITH BELDEN 9913, RF400 CABLE.
2. FOR CABLING INSTRUCTIONS SEE 3-781.
3. FOR CRIMPING USE DIE CD400 OR KTH-2286.
4. INTERFACE PER MIL-STD-348, FIG. 304-1.
5. CENTER CONTACT SUPPLIED UNASSEMBLED.
6. MATERIALS:
  - INSULATOR: TEFLON, ASTM-D4894
  - K-GRIP SLEEVE: COM. BRONZE TUBE, ASTM-B135.
  - GASKETS: SILICONE RUBBER, A-A-59588
  - OUTER CONTACT } PHOSPHOR BRONZE, ASTM-B140.
  - C-RING }
  - ALL OTHER METAL PARTS: BRASS, ASTM-B16
7. FINISHES:
  - CENTER CONTACT GOLD PLATE, ASTM-B488.
  - OUTER CONTACT SILVER PLATE, ASTM-B700.
  - ALL OTHER METAL PARTS: KINGS TARNISH RESISTANT FINISH (TR-5)
8. ELECTRICAL CHARACTERISTICS:
  - NOMINAL IMPEDANCE: 50 OHMS
  - WORKING VOLTAGE: 1000 VRMS
  - FREQUENCY RANGE: DC TO 11 GHz

1205-4-7

REVISIONS	
ISSUE	CHANGES
3	CN 35302 C REDRAWN KH 02/18/94
4	CN 37266 C PB 13 FEB 97
5	CN 39971 C DRK 06/18/07

SCALE 4:1	
APPROX SURFACE AREA	
BELDEN ONLY	
USED ON	
REF: E-12343	
PLUG, N	
DRAWN KH	DATE 02/18/94
DESIGN LI	DATE 02/22/94
APPR.	DATE

A Winchester Electronics Company

1205-4-7

# GSD