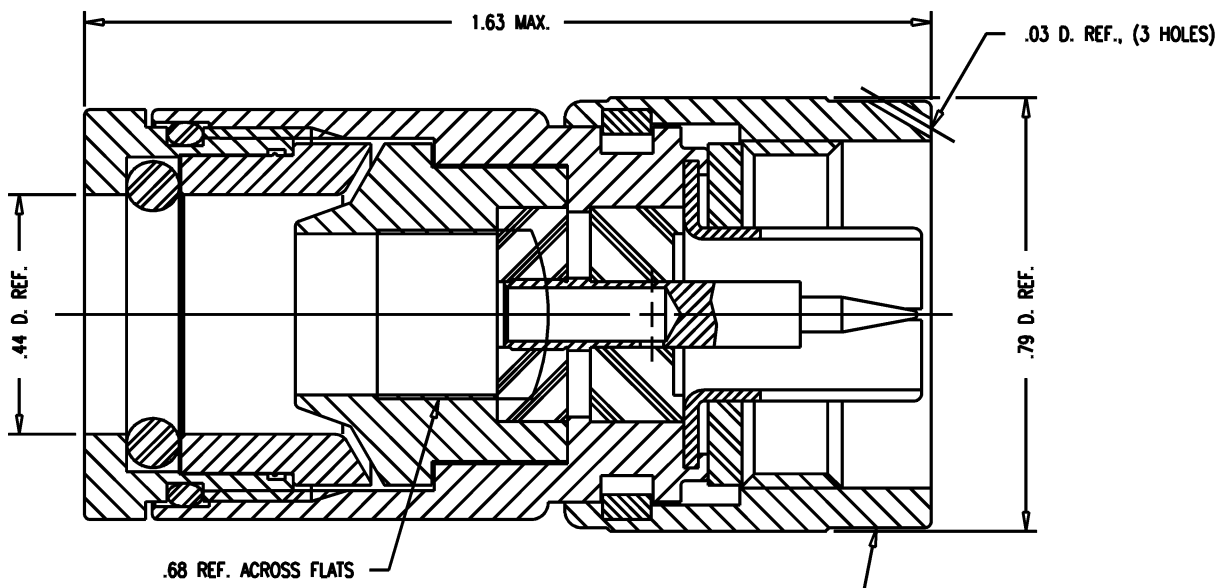


DASH NO.	M CODE	MADE FROM
----------	--------	-----------

# GSD

M39012/1-0005

REVISIONS	
ISSUE	CHANGES
0	ER 33570 WJM 12/04/91



STAMP: 91836 M39012/1-0005  
1205-35-5 XX XX  
DATE CODE

- NOTES:
- FOR USE WITH M17/6-RG11, /62-RG144, /65-RG165, /74-213, /75-RG214, /77-RG216, /86-00001 CABLE.
  - FOR CABLING INSTRUCTIONS SEE 3-539.
  - INTERFACE PER MIL-STD-348, FIG. 304-1.
  - MATERIALS:  
INSULATORS: TEFLON, ASTM-D-1457  
GASKETS: SIL. RUB., QQ-R-765  
C-RING: PHOS. BRONZE, QQ-B-750  
ALL OTHER PARTS: BRASS, ASTM-B16
  - FINISHES:  
CENTER CONTACT: HARD GOLD PLT. PER MIL-G-45204  
ALL OTHER METAL PARTS: SILVER PLT. PER QQ-S-365
  - ELECTRICAL CHARACTERISTICS:  
NOMINAL IMPEDANCE: 50 OHMS  
VOLTAGE RATING: 1000 VRMS  
FREQUENCY RANGE: DC TO 11 GHz.

1205-35-5 JCA0907

SCALE 4:1

APPROX SURFACE AREA

USED ON

REF:

PLUG, N

DRAWN	JCA	DATE	09/20/90
-------	-----	------	----------

DESIGN	MJB	DATE	09/20/90
--------	-----	------	----------

APPR.	VLS	DATE	01/10/92
-------	-----	------	----------

**KINGS**  
ELECTRONICS CO., INC.  
TUCKAHOE, NEW YORK 10707

M39012/1-0005

# GSD