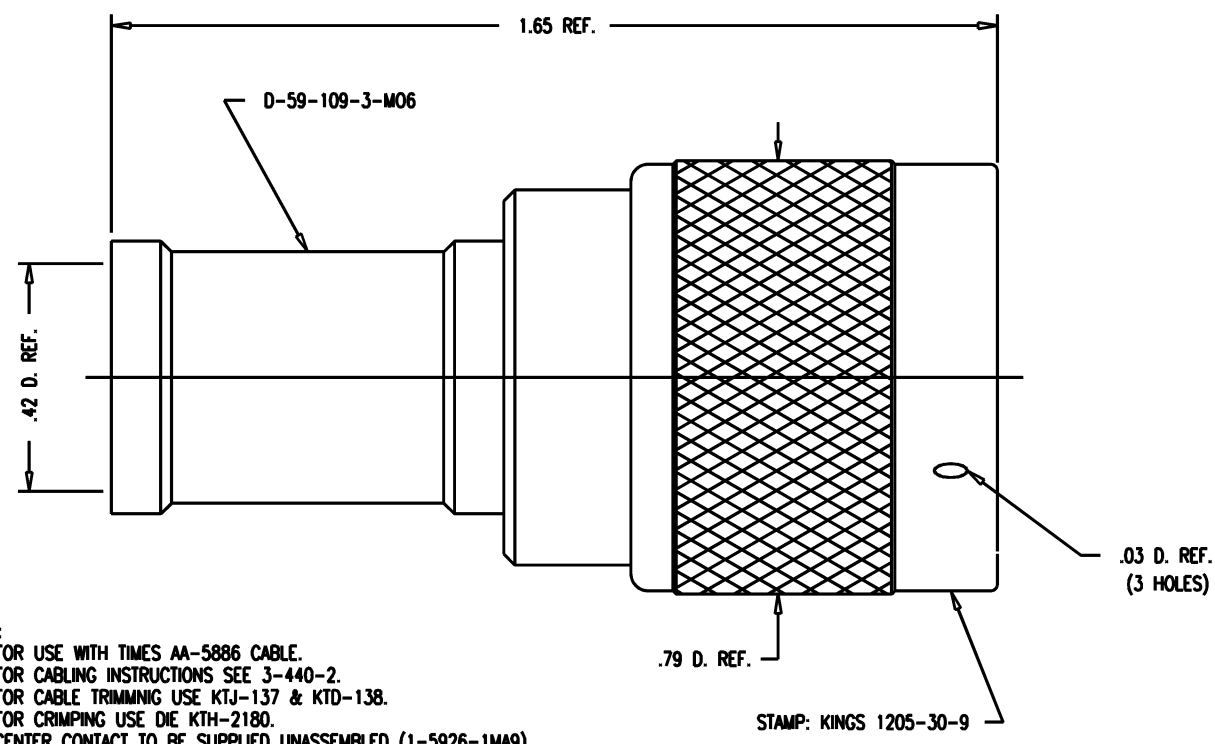


DASH NO.	M CODE	MADE FROM
----------	--------	-----------

GSD

1205-30-9

REVISIONS	
ISSUE	CHANGES
1	CN 33030 A REDRAWN WJM 04/15/91



NOTES:

- FOR USE WITH TIMES AA-5886 CABLE.
- FOR CABLING INSTRUCTIONS SEE 3-440-2.
- FOR CABLE TRIMMING USE KTJ-137 & KTD-138.
- FOR CRIMPING USE DIE KTH-2180.
- CENTER CONTACT TO BE SUPPLIED UNASSEMBLED (1-5926-1MA9).
- INTERFACE PER MIL-STD-348, FIG. 304-1.
- MARK PACKAGE: KINGS 1205-30-9
XX XX (DATE CODE)
- MATERIALS:
 - INSULATOR: TEFLON, ASTM-D1457
 - K-GRIP SLEEVE: COM. BRONZE TUBE, ALLOY 220
 - GASKET: SILICONE RUBBER, ZZ-R-765
 - OUTER CONTACT } PHOSPHOR BRONZE, QQ-B-750
 - C-RING }
 - ALL OTHER METAL PARTS: BRASS, QQ-B-626
- FINISHES:
 - CENTER CONTACT: HARD GOLD PALTE, PERMIL-G-45204
 - OUTER CONTACT: SILVER PLATE, QQ-S-365
 - ALL OTHER METAL PARTS: KINGS TARNISH RESISTANT FINISH (TR-5)
- ELECTRICAL CHARACTERISTICS:
 - NOMINAL IMPEDANCE: 50 OHMS
 - WORKING VOLTAGE: 1000 VRMS
 - FREQUENCY RANGE: DC TO 11 GHz.

SCALE 4:1

APPROX SURFACE AREA

WAS: E-15850

USED ON

REF:

PLUG, N

DRAWN WJM DATE 04/15/91

DESIGN JT DATE 05/03/91

APPR. VLS DATE 05/04/91

KINGS
ELECTRONICS CO., INC.
TUCKAHOE, NEW YORK 10707

1205-30-9

GSD