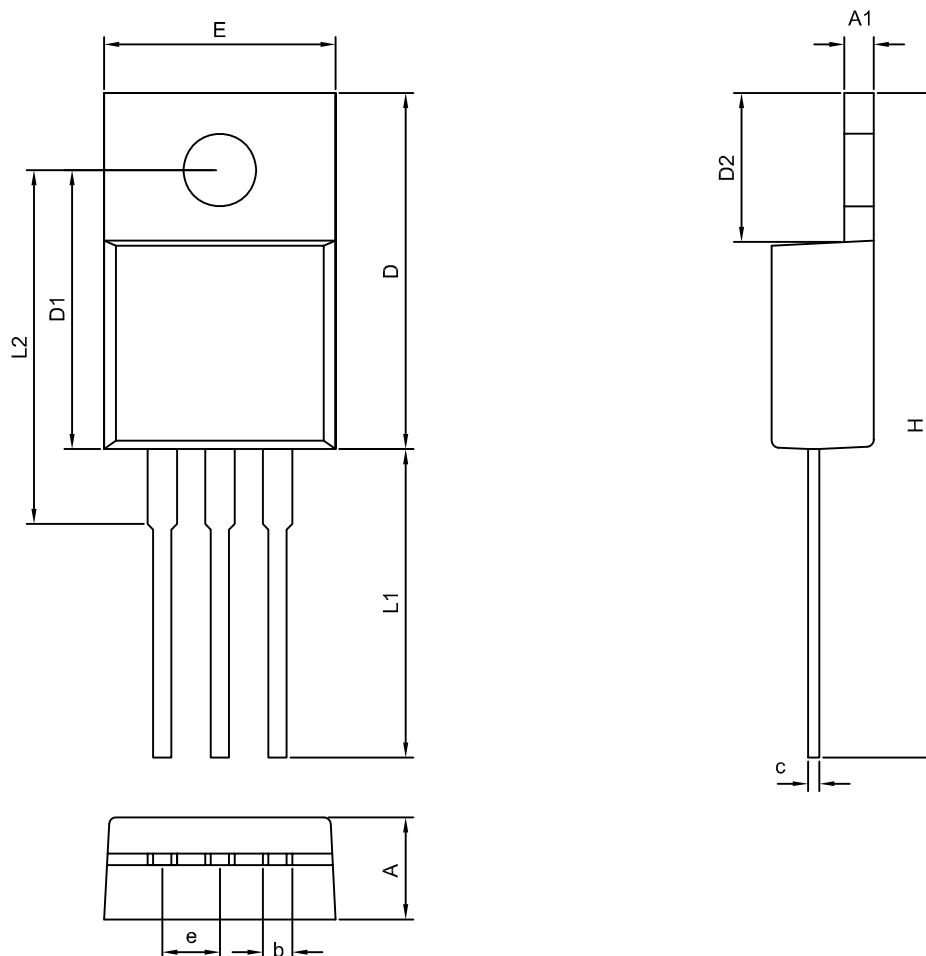




TO220



Symble	DIMENSION IN MM			DIMENSION IN INCH		
	MIN.	NOM.	MAX.	MIN.	NOM.	MAX.
A	4.30	4.50	4.70	0.169	0.177	0.185
A1	1.20	1.30	1.40	0.047	0.051	0.055
D	14.65	15.00	15.35	0.577	0.591	0.604
D1	12.06	12.26	12.46	0.475	0.483	0.491
D2	6.20	6.50	6.80	0.244	0.256	0.268
E	9.70	9.90	10.10	0.382	0.390	0.398
b	1.27 BSC			0.050 BSC		
c	0.40	0.50	0.60	0.016	0.020	0.024
e	2.54 BSC			0.100 BSC		
L1	13.60 BSC			0.535 BSC		
L2	15.50	16.00	16.50	0.610	0.630	0.650
H	28.80	29.30	29.80	1.134	1.154	1.173

Taping Specification

PACKAGE	Q'TY/TUBE
TO220	50ea