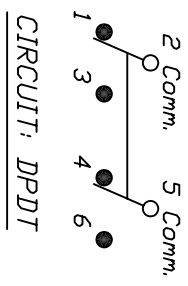
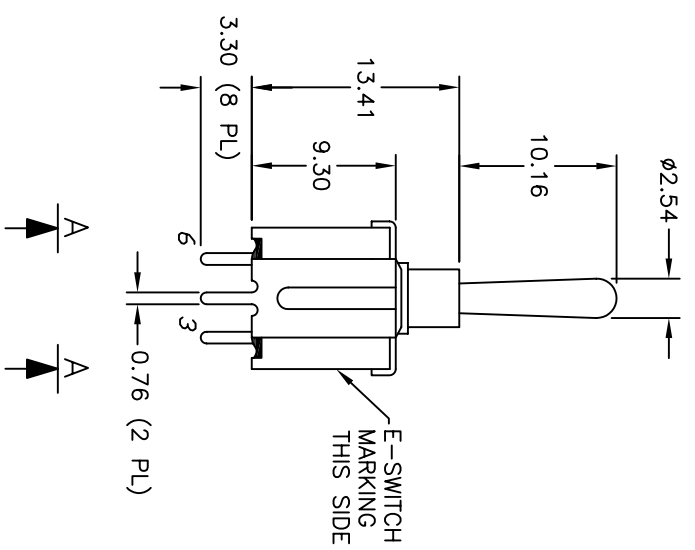
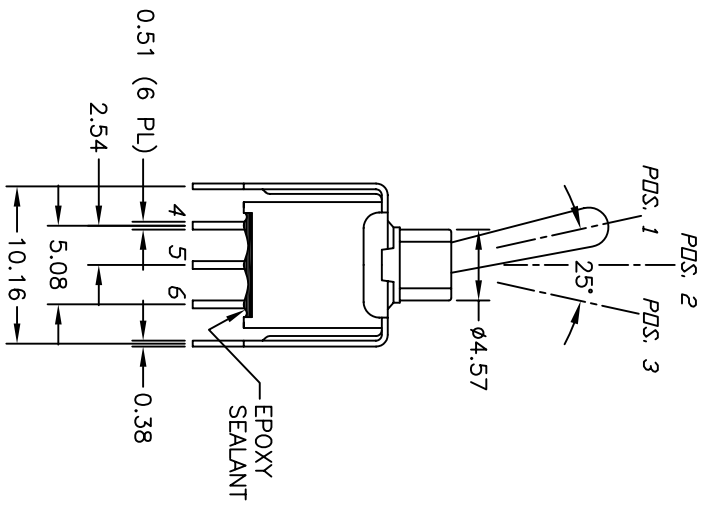


VIEW A-A  
BRACKET NOT SHOWN



CIRCUIT: DPDT

| SWITCH FUNCTION |       |          |
|-----------------|-------|----------|
| PDS 1           | PDS 2 | PDS 3    |
| DN              | NONE  | DN       |
| 2-3, 5-6        | DPEN  | 2-1, 5-4 |

CONTACT CONFIGURATION

NOTES:

1. ALL DIMENSIONS IN MM
2. GENERAL TOLERANCE: 0.0=±0.4 0.00=±0.25
3. TERMINAL NUMBERS FOR REF ONLY
4. RATING: 0.4 VA @ 20VAC OR DC
5. ELECTRIC LIFE: 50,000 make-and-break cycles at full load.
6. INSULATION RESISTANCE: 1,000 Mega-ohm min.
7. DIELECTRIC STRENGTH: 1,000 V RMS @sea level.
8. OPERATING TEMP.: -30°C to 85°C



|        |         |                         |         |      |
|--------|---------|-------------------------|---------|------|
| REV. A | 10702   | RELEASED FOR PRODUCTION | 6/27/00 | GLG  |
| REV.   | ECN No. | DESCRIPTION             | DATE    | CHKD |

|                        |         |     |         |     |
|------------------------|---------|-----|---------|-----|
| TITLE                  |         |     |         |     |
| 200A WMDP1 T1 A1 VS2 R |         |     |         |     |
| SCALE                  | DATE    | DR  | DWG     | REV |
| 2:1                    | 6/27/00 | GLG | T201227 | A   |

THE INFORMATION CONTAINED IN THIS DOCUMENT IS PROPRIETARY TO E-SWITCH AND IS NOT TO BE COPIED OR TRANSFERRED