

ESTAdry[®] D-Type Capacitor For Indoor Use



**ESTAdry[®] D-TYPE THREE PHASE MK-POWER CAPACITOR
ACCORDING TO DIN EN 60831-1/-2 FOR INDOOR APPLICATION**

MK = Metallized Plastic Film Dielectric.

ESTAdry[®] MK-type capacitor for power factor correction in low voltage systems.

RATED VOLTAGES

400V, 415V, 440V, 460V, 525V, 690V, 760V

RATED FREQUENCY

50Hz*

*Can also be used for 60Hz. The output will be 1.2 times higher. A lower class of temperature might be taken into account.

RATED OUTPUT

50kvar, other outputs upon request

CASING

Aluminum, welded and hermetically sealed

DEGREE OF PROTECTION

IP00, Indoor (higher degrees of protection up to IP54 upon request)

STANDARDS

DIN EN 60831-1/-2, IEC60831-1/-2 (VDE 0560-46/-47)

LOSSES (INCLUDING DISCHARGE RESISTORS)

Less than 0.45 watt per kvar at upper temperature limit

DIELECTRIC

Polypropylene film

IMPREGNANT

Without, dry type, NON-PCB, NON-toxic

ELECTRODES

Self-healing

SAFETY DEVICES

Self-healing dielectric and overpressure tear-off fuses external discharge resistors for $U \leq 50V$, $t = 60s$ (for IP00 version)

TEMPERATURE CLASS

- 25/D (max. 55°C), (- 40/D upon request)

SHELF TEMPERATURE

- 40/+ 70°C

SWITCH-IN-CURRENT

Max. $300 \times I_N$

INSULATION

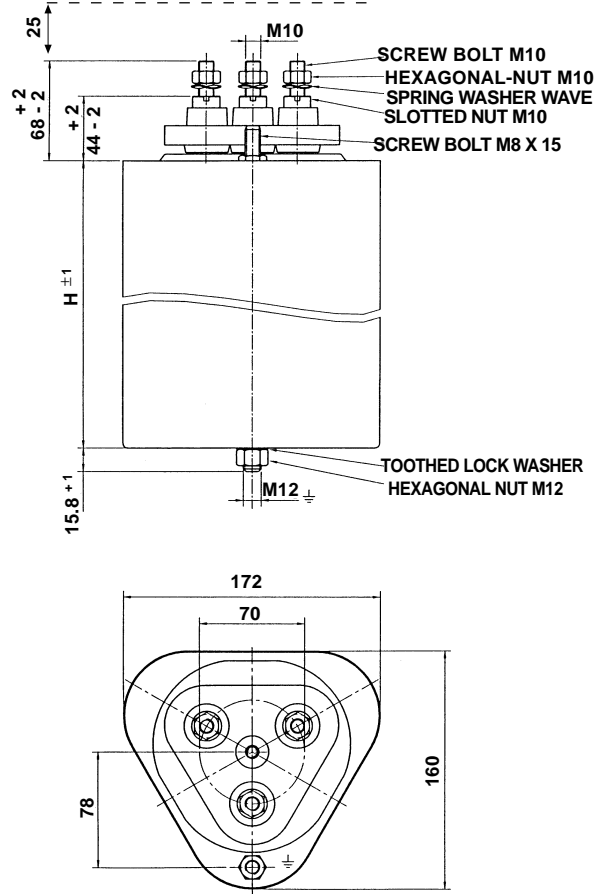
6/15kV

TESTS

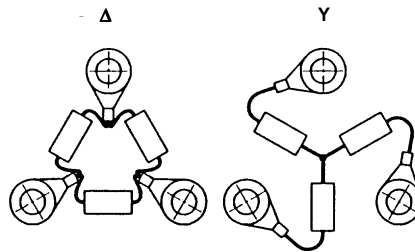
Terminal/Terminal: $2.15 \times U_N/2$ seconds

Terminal/Casing: 6000V/10 seconds

REQUIRED SPACE FOR BULGING



DISCHARGE RESISTORS



TYPE	ARTICLE NO.	RATED VOLTAGE [V]	RATED OUTPUT [kvar]	CAPACITANCE [μF]	CURRENT [A]	WEIGHT [kg]	HEIGHT H [mm]
PhMKDg 400.3.50	40593	400	50	3 x 331.6 Δ	72	app. 4.9	210
PhMKDg 415.3.40	39589	415	40	3 x 246.4 Δ	56	app. 4.9	210
PhMKDg 415.3.50	39590	415	50	3 x 308.0 Δ	70	app. 4.9	210
PhMKDg 440.3.50	40673	440	50	3 x 274.0 Δ	66	app. 4.9	210
PhMKDg 440.3.56, 2	41292	440	56.2	3 x 308.0 Δ	74	app. 4.9	210
PhMKDg 460.3.50	40288	460	50	3 x 250.7 Δ	63	app. 4.9	210
PhMKDg 525.3.50	41293	525	50	3 x 192.5 Δ	55	app. 4.9	210
PhMKDg 690.2.50	41449	690	50	3 x 334.3 Y	42	app. 4.9	210
PhMKDg 760.2.50	43993	760	50	3 x 275.5 Y	38	app. 4.9	210