



Obsolescence Notice

This product is obsolete.

This information is available for your convenience only.

For more information on Zarlink's obsolete products and replacement product lists, please visit http://products.zarlink.com/obsolete_products/

Features

- 2 x high power, high voltage, thick film surge protection resistors
- 2 x high accuracy, high stability matched battery feed resistors
- 2 replaceable 2AG fuses in surface-mounted fuse clips
- Used with the MH89626C for a complete OPS line interface

Applications

- Battery feed and secondary protection for Off-Premise SLICS

ISSUE 2

April 1995

Ordering Information

MH80626C 20 Pin SIL Package

0°C to 70°C

Description

The MH80626C hybrid SIP provides a protection circuit consisting of two 2AG size fuses in surface-mounted fuse clips and two high voltage, high power 5.5Ω surge resistors.

The MH80626C also provides two high stability, high power 50Ω feed resistor matched to 0.1%.

The SIP provides full secondary protection for the MH89626C Off-Premise SLIC, allowing conformance to the requirements of various international safety and performance standards.

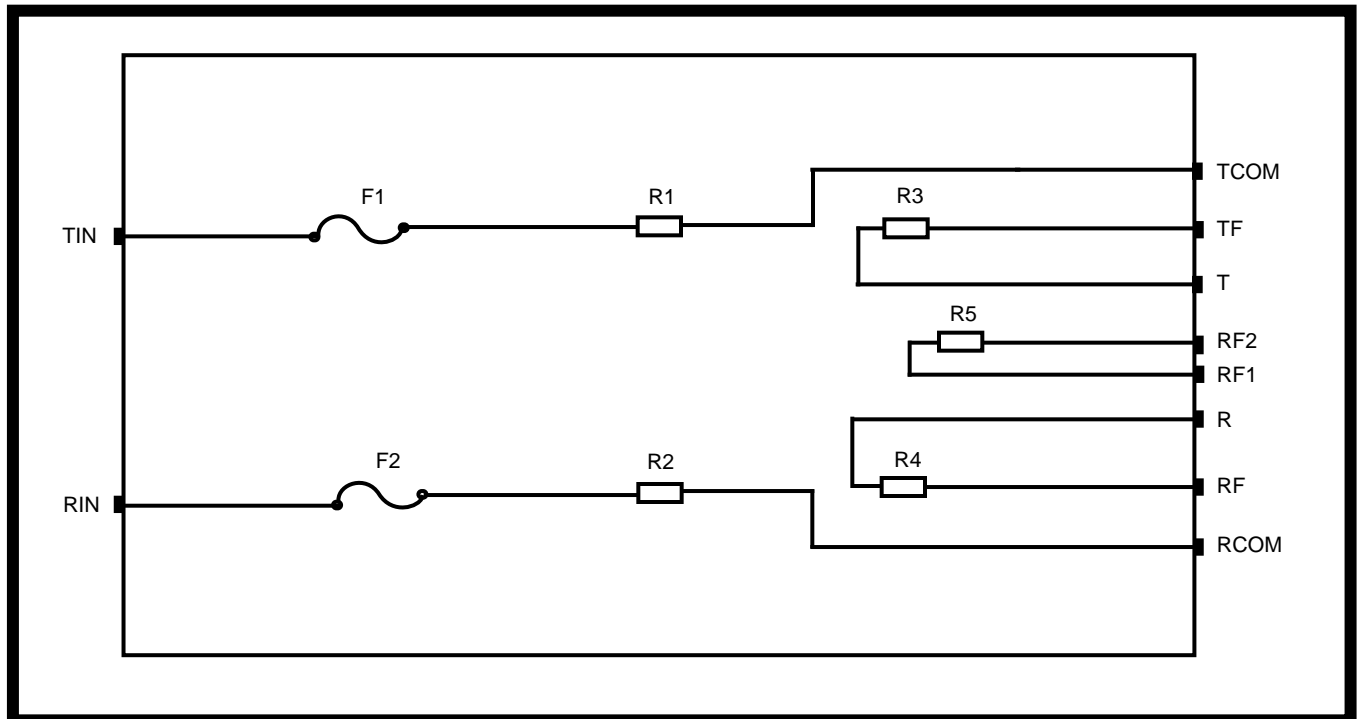


Figure 1 - Functional Block Diagram

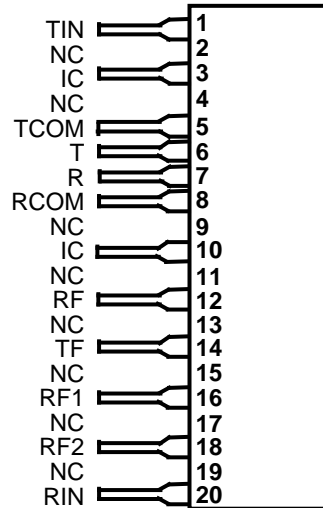


Figure 2 - Pin Connections

Pin Description

Pin #	Name	Description
1	TIN	TIP Input. Connects to TIP conductor of the Subscriber Loop.
2	NC	No Connection: There is no pin in this location
3	IC	Internal Connection: Do not connect to this pin.
4	NC	No Connection: There is no pin in this location.
5	TCOM	TIP Common: Connects to TIP pin of the SLIC via a normally closed ringing relay. See Figure 1.
6	T	TIP Connection: Connects to TIP pin of the SLIC.
7	R	RING Connection: Connect to the RING pin of the SLIC.
8	RCOM	RING Common: Connects to RING pin of the SLIC via a normally closed ringing relay. See Figure 1.
9	NC	No Connection: There is no pin in this location.
10	IC	Internal Connection: Do not connect to this pin.
11	NC	No Connection: There is no pin in this location.
12	RF	RING Feed Connection: Connects to the RF pin of the SLIC.
13	NC	No Connection: There is no pin in this location.
14	TF	TIP Feed Connection: Connect to the TF pin of the SLIC.
15	NC	No Connection: There is no pin in this location.
16	RF1	RING Feed 1. Ringing Input: Connects to ringing supply.
17	NC	No Connection: There is no pin in this location.
18	RF2	RING Feed 2. Ringing Output: Connects to RING line through the ring relay contact.
19	NC	No Connection: There is no pin in this location.
20	RIN	RING Input: Connects to RING conductor of the subscriber loop.

Electrical Characteristics 0°C to 70°C

	Characteristics	Symbol	Min	Typ*	Max	Units	Test Conditions
1	Resistance - absolute	R1	4.5	5.5	6	Ω	
2	Resistance - absolute	R2	4.5	5.5	6	Ω	
3	Resistance - match				1	%	Match between R1 & R2
4	Resistance - absolute	R3	49.75	50	50.25	Ω	
5	Resistance - absolute	R4	49.75	50	50.25	Ω	
6	Resistance - match				0.1	%	Match between R3 & R4
7	Resistance - absolute	R5	555	560	565	Ω	
8	Fuse	F1		0.25		Amps	250 VAC Slow Blow
9	Fuse	F2		0.25		Amps	250 VAC Slow Blow

* Typical figures are at 25°C and are for design aid only

	Reference Specification	Test	Description	Performance	Comments
1	CCITT K.20	Lightning Surge Simulation	1kV 10 x 700 μsec	No damage No arching, fuse intact	See Note 1
2	CCITT K.20	Power Induction	300 Vrms 200 msec	No damage No arching, fuse intact	See Note 1
3	CCITT K.20	Power Cross	220 Vrms 15 min	No damage No arching, fuse blows	See Note 1

Note 1: Refer to the appropriate Telecom Equipment Safety specifications for full details of the test and requirements

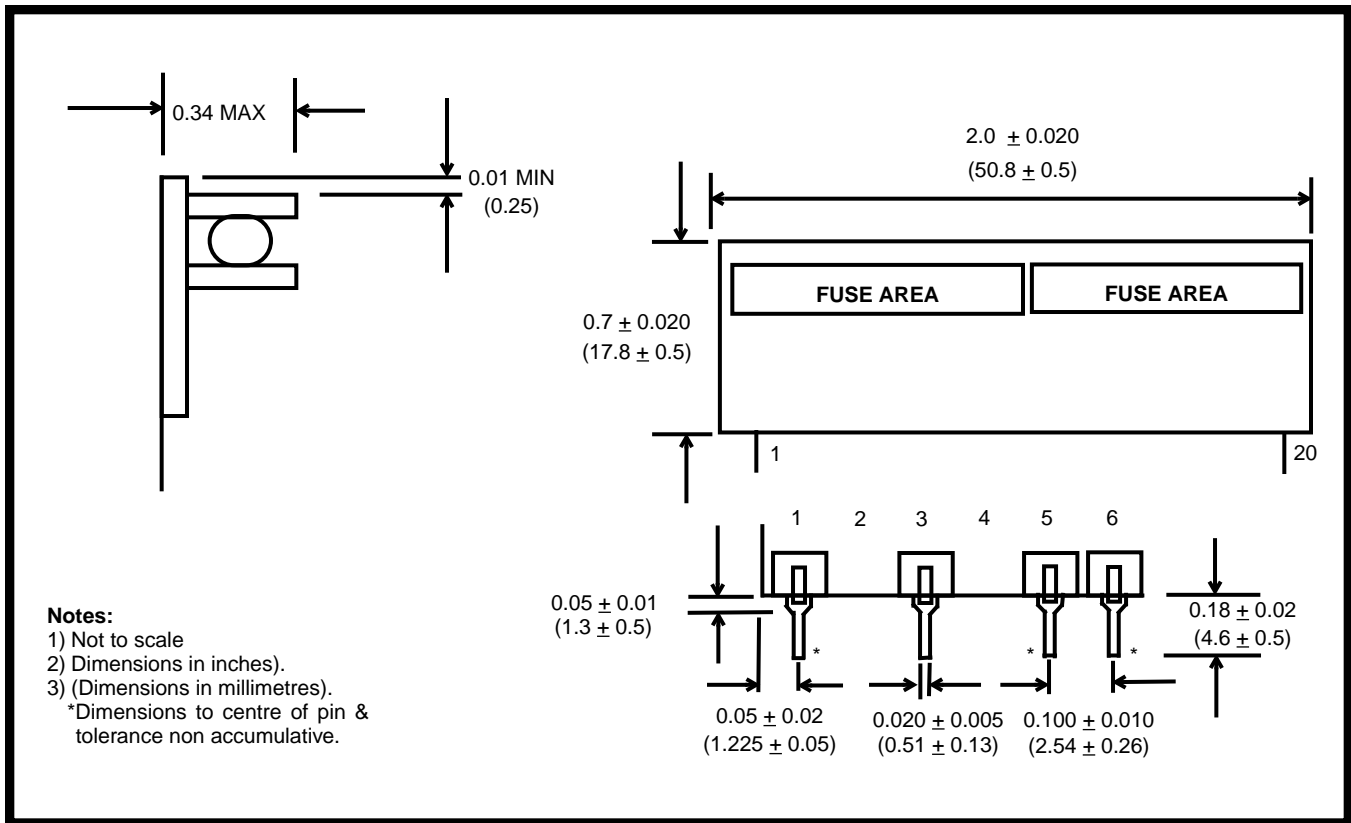


Figure 3 - Mechanical Data



**For more information about all Zarlink products
visit our Web Site at
www.zarlink.com**

Information relating to products and services furnished herein by Zarlink Semiconductor Inc. or its subsidiaries (collectively "Zarlink") is believed to be reliable. However, Zarlink assumes no liability for errors that may appear in this publication, or for liability otherwise arising from the application or use of any such information, product or service or for any infringement of patents or other intellectual property rights owned by third parties which may result from such application or use. Neither the supply of such information or purchase of product or service conveys any license, either express or implied, under patents or other intellectual property rights owned by Zarlink or licensed from third parties by Zarlink, whatsoever. Purchasers of products are also hereby notified that the use of product in certain ways or in combination with Zarlink, or non-Zarlink furnished goods or services may infringe patents or other intellectual property rights owned by Zarlink.

This publication is issued to provide information only and (unless agreed by Zarlink in writing) may not be used, applied or reproduced for any purpose nor form part of any order or contract nor to be regarded as a representation relating to the products or services concerned. The products, their specifications, services and other information appearing in this publication are subject to change by Zarlink without notice. No warranty or guarantee express or implied is made regarding the capability, performance or suitability of any product or service. Information concerning possible methods of use is provided as a guide only and does not constitute any guarantee that such methods of use will be satisfactory in a specific piece of equipment. It is the user's responsibility to fully determine the performance and suitability of any equipment using such information and to ensure that any publication or data used is up to date and has not been superseded. Manufacturing does not necessarily include testing of all functions or parameters. These products are not suitable for use in any medical products whose failure to perform may result in significant injury or death to the user. All products and materials are sold and services provided subject to Zarlink's conditions of sale which are available on request.

Purchase of Zarlink's I²C components conveys a licence under the Philips I²C Patent rights to use these components in and I²C System, provided that the system conforms to the I²C Standard Specification as defined by Philips.

Zarlink, ZL and the Zarlink Semiconductor logo are trademarks of Zarlink Semiconductor Inc.

Copyright Zarlink Semiconductor Inc. All Rights Reserved.

TECHNICAL DOCUMENTATION - NOT FOR RESALE
