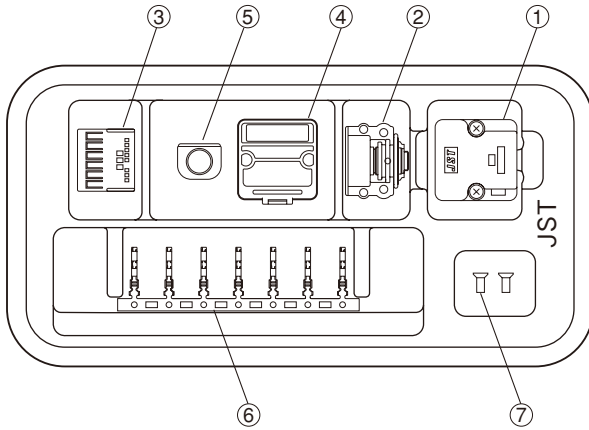




JFA CONNECTOR J1700/2700/3700 SERIES

Connector kits for motor



- 6 circuits connector for power supply of servomotor

Specifications

- Current rating: 5.0A AC, DC [J1700 series 2.0mm pitch]
7.0A AC, DC [J2700 series 2.5mm pitch]
10.0A AC, DC [J3700 series 3.8mm pitch]
- Voltage rating: 250V AC, DC
- Temperature range: -55°C to +105°C
(including temperature rise in applying electrical current)
- Waterproof grade: Grade 5 ingress protection of JIS C 0920
(IEC 60529 IPX5)

*Contact JST for details.

Kit components

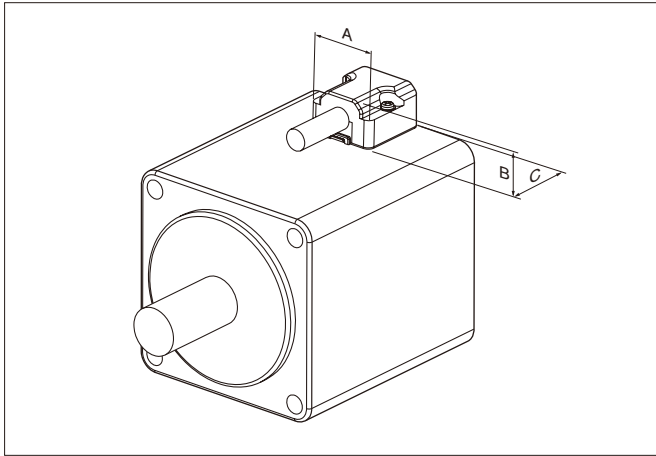
No.	Components	Q'ty
①	Top cover assembly	1
②	Bottom cover assembly	1
③	Receptacle housing	1
④	Rubber plate seal	1
⑤	Seal ring	1
⑥	Receptacle contact	7
⑦	Flat countersunk head screw	2

Standards

Recognized E60389

JFA CONNECTOR/J1700/2700/3700 SERIES

Connector kit outer dimension



Series	Dimensions (mm)		
	A	B	C
J1700	16.4	12.0	20.2
J2700	21.0	13.0	21.2
J3700	27.0	15.0	21.2

Connector kit model No.

Series	Pitch (mm)	Model No.	Cable finished diameter (mm)	Nominal	
J1700	2.0	J17-06FMH-6KL-1S-CF	6.0	S	
		J17-06FMH-6KL-1M-CF	6.0	M	
		J17-06FMH-7KL-1S-CF	7.0	S	
		J17-06FMH-7KL-1M-CF	7.0	M	
J2700	2.5	J27-06FMH-6KL-1S-CF	6.0	S	
		J27-06FMH-6KL-1M-CF	6.0	M	
		J27-06FMH-7KL-1S-CF	7.0	S	
		J27-06FMH-7KL-1M-CF	7.0	M	
J3700	3.8	J37-06FMH-8KL-1S-CF	8.0	S	
		J37-06FMH-8KL-1M-CF	8.0	M	
		J37-06FMH-8KL-1L-CF	8.0	L	
		J37-06FMH-9KL-1S-CF	9.0	S	
		J37-06FMH-9KL-1M-CF	9.0	M	
		J37-06FMH-9KL-1L-CF	9.0	L	

RoHS compliance

Model number identification

J17 - 06 FMH - 6 K L - 1 S - CF	
Series name: J17...J1700 Series J27...J2700 Series J37...J3700 Series	
No. of circuits: 6	
Type of connector: Receptacle housing	
Cable insulation O.D.: J1700 Series...6.0, 7.0 J2700 Series...6.0, 7.0 J3700 Series...8.0, 9.0	
Color indication: K...Black	
Packaging form: Tray for kit	
Receptacle contact size: S, M, L	
Hexavalent chromium free	

Receptacle contact

Nominal	Applicable wire		Wire insulation O.D. (mm)	J1700 Series	J2700 Series	J3700 Series
	mm ²	AWG #				
S	0.08~0.20	28~24	0.88~1.43	SJ1F-002GF-P0.8	SJ2F-002GF-P1.0	SJ3F-002GF-P1.8
M	0.20~0.50	24~20	1.11~1.53	SJ1F-01GF-P0.8	SJ2F-01GF-P1.0	—
			1.11~1.86	—	—	SJ3F-01GF-P1.8
L	0.50~1.25	20~16	1.53~2.50	—	—	SJ3F-41GF-P1.8

RoHS compliance

Hand crimping tool

Series	Nominal	Receptacle contact	Hand crimp tool
J1700	S	SJ1F-002GF-P0.8	YRS-8831
	M	SJ1F-01GF-P0.8	YRS-8841
J2700	S	SJ2F-002GF-P1.0	YRS-8851
	M	SJ2F-01GF-P1.0	YRS-8861
J3700	S	SJ3F-002GF-P1.8	YRF-882
	M	SJ3F-01GF-P1.8	YRF-881
	L	SJ3F-41GF-P1.8	YRF-880