

**Carrier Tape Change for all Right Angle DomiLED DSx  
Product Change Notice issued on 18 May 2015.**

### **DomiLED**<sup>™</sup>

Synonymous with function and performance, the DomiLED<sup>™</sup> series is perfectly suited for a variety of cross-industrial applications due to its small package outline, durability and superior brightness.



### **Features:**

- > High brightness surface mount LED.
- > Designed for sideways illumination.
- > 120° viewing angle.
- > Small package outline.
- > Qualified according to JEDEC moisture sensitivity Level 2.
- > Compatible to IR reflow soldering.
- > Environmental friendly; RoHS compliance.
- > Compliance to AEC-Q101 Standard.



### **Applications:**

- > Automotive:  
Interior applications, eg: switches, telematics, climate control system, dash board, etc.
- > Consumer Appliances: Backlighting illumination as in PDAs.



### Optical Characteristics at Tj=25°C

Part Ordering Number	Color	Viewing Angle°	Luminous Intensity @ IF = 2mA IV (mcd)		
			Min.	Typ.	Max.
DSS-ASS-J2L1-1	Super red, 632nm	120	5.60	9.00	14.00
DSA-ASS-LM2-1	Amber, 615nm	120	11.20	18.00	28.50
DSY-ASS-LM2-1	Yellow, 587nm	120	11.20	18.00	28.50
DSG-ASS-H2K1-1	Green, 570nm	120	3.55	4.50	9.00

**NOTE**

1. All part number above comes in a quantity of 2500 units per reel.
2. Luminous intensity is measured with an accuracy of ± 11%.
3. Wavelength binning is carried for all units as per the wavelength-binning table. Only one wavelength group is allowed for each reel.

### Electrical Characteristics at Tj=25°C

Part Number	Vf @ If = 2mA		Vr @ Ir = 10uA	
	Min. (V)	Typ. (V)	Max. (V)	Min. (V)
DSx-ASS	1.7	2.0	2.3	12

Forward voltage, Vf is measured with an accuracy of ± 0.1 V.

### Absolute Maximum Ratings

	Maximum Value	Unit
DC forward current	20	mA
Peak pulse current	100	mA
Reverse voltage	12	V
ESD threshold (HBM)	2	kV
LED junction temperature	125	°C
Operating temperature	-40 ... +100	°C
Storage temperature	-40 ... +100	°C
Power dissipation (at room temperature)	50	mW

### Wavelength Grouping at Tj=25°C

Color	Group	Wavelength distribution (nm)
DSS; Super red	Full	625 - 640
DSA; Amber	Full	610 - 621
	W	610 - 615
	X	615 - 621
DSY; Yellow	Full	582 - 594
	W	582 - 585
	X	585 - 588
	Y	588 - 591
	Z	591 - 594
DSG; Green	Full	564.5 - 576.5
	W	564.5 - 567.5
	X	567.5 - 570.5
	Y	570.5 - 573.5
	Z	573.5 - 576.5

Dominant wavelength is measured with an accuracy  $\pm 1$ nm

### Luminous Intensity Group at Tj=25°C

Brightness Group	Luminous Intensity IV (mcd)
H2	3.55...4.50
J1	4.50...5.60
J2	5.60...7.20
K1	7.20...9.00
K2	9.00...11.20
L1	11.20...14.00
L2	14.00...18.00
M1	18.00...22.40
M2	22.40...28.50

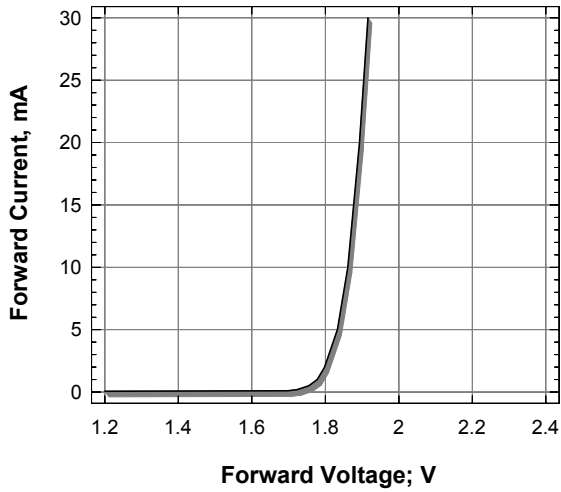
Luminous intensity is measured with an accuracy of  $\pm 11\%$ .

**Vf Binning (Optional)**

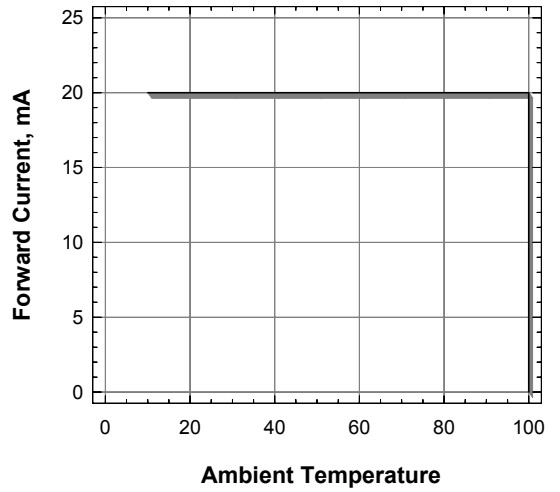
<b>Vf Bin</b>	<b>Forward Voltage (V)</b>
VA	1.60 ... 1.80
VB	1.80 ... 2.00
VC	2.00 ... 2.20

Forward voltage, Vf is measured with an accuracy of  $\pm 0.1$  V.  
Please consult sales and marketing for special part number to incorporate Vf binning.

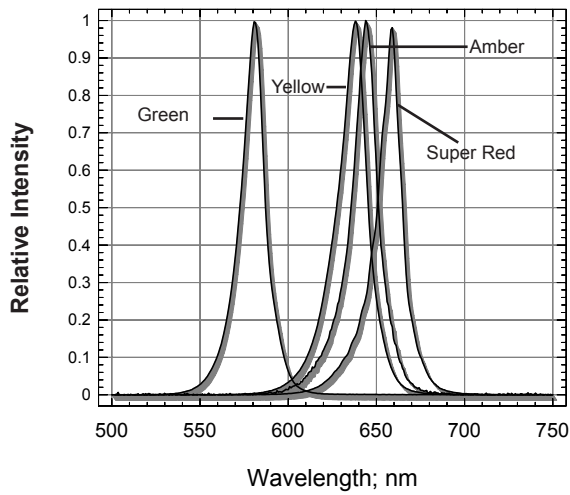
**Forward Current Vs Forward Voltage**



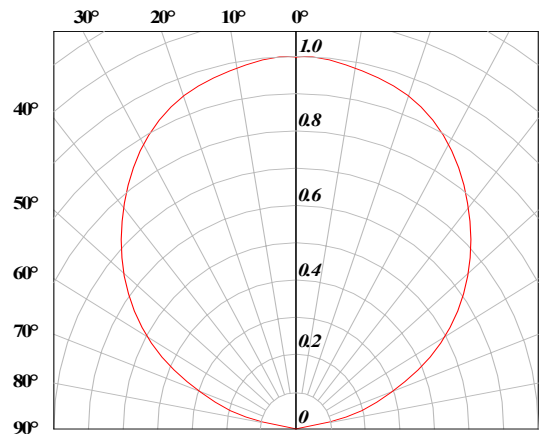
**Forward Current Vs Ambient Temperature**



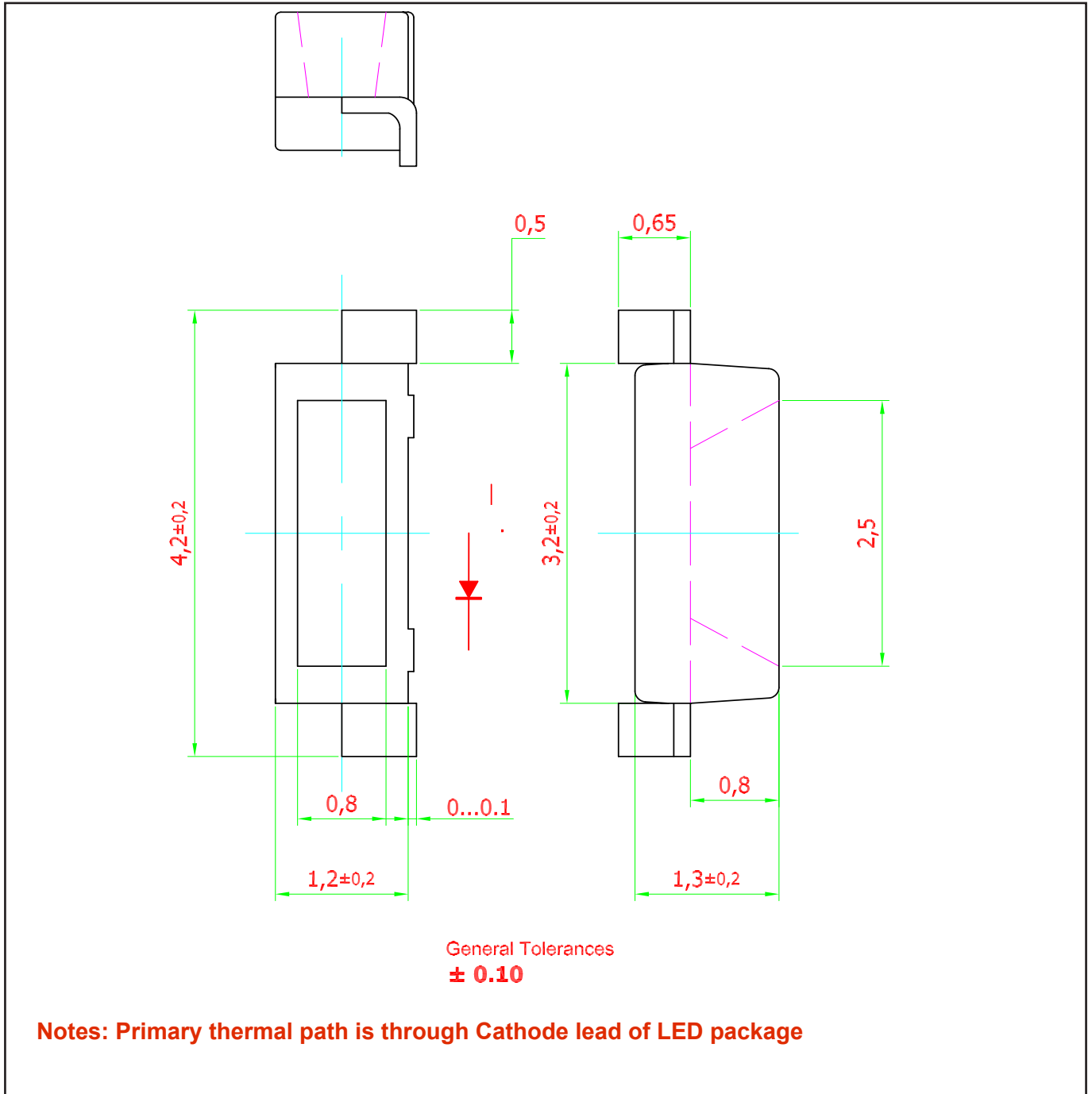
**Relative Intensity Vs Wavelength**



**Radiation Pattern**



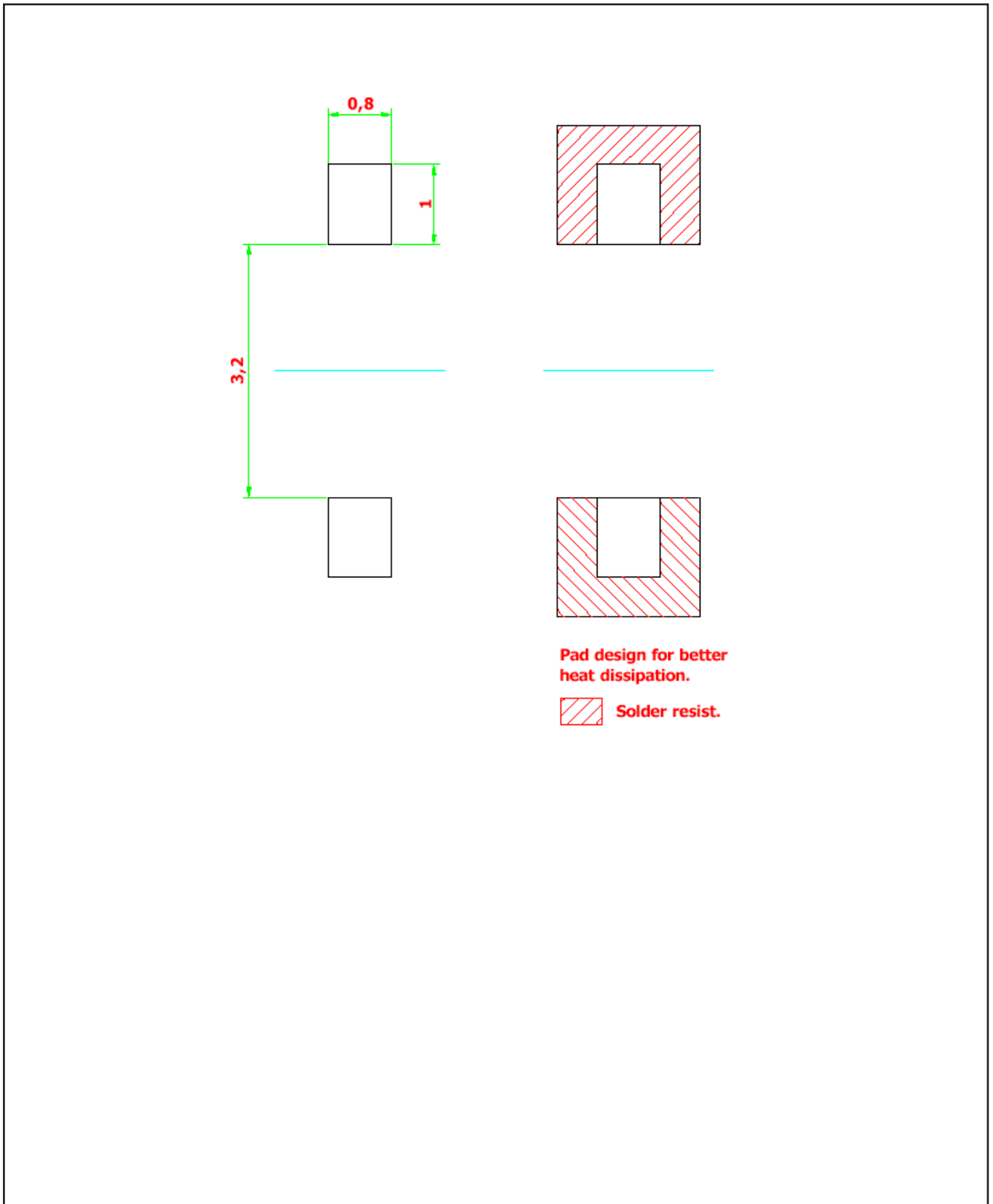
**DomiLED™ • AllnGaP : DSx-ASS Package Outlines**



**Material**

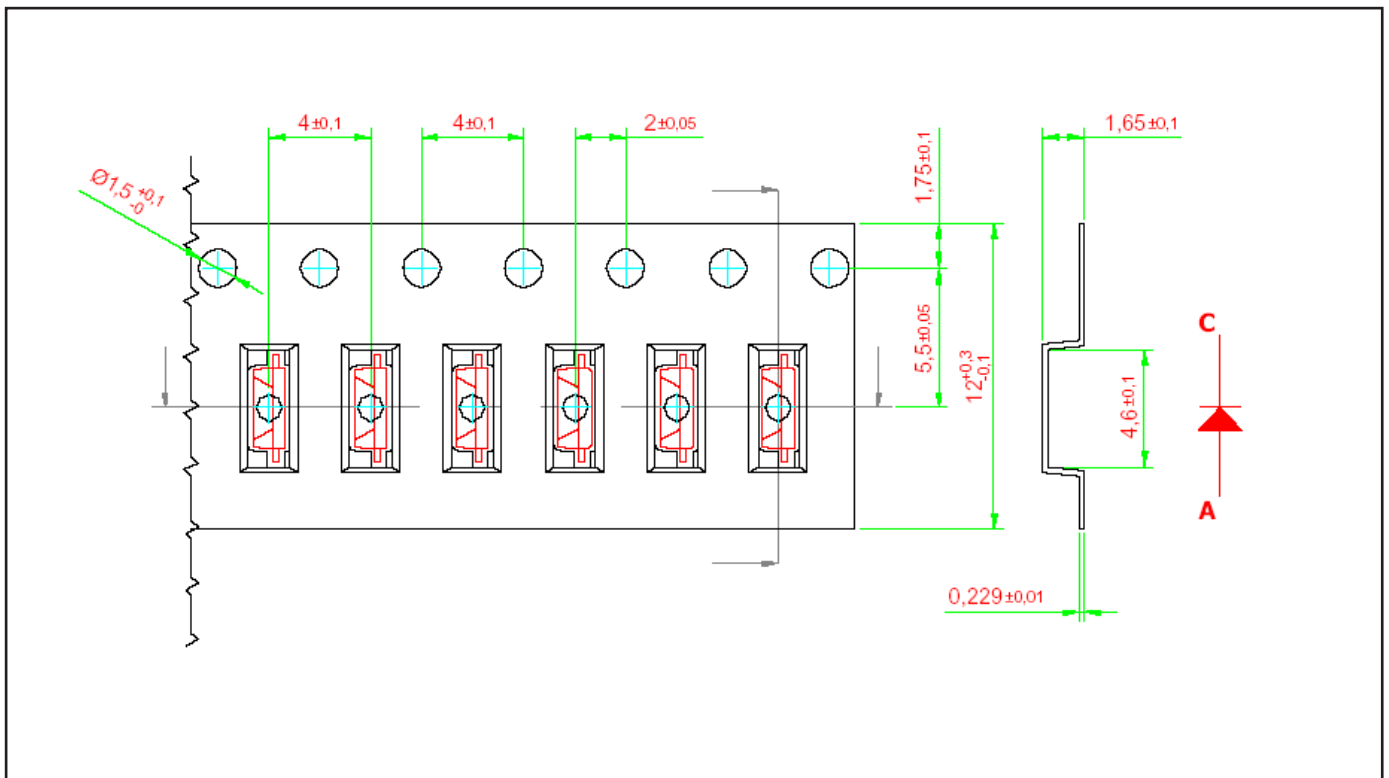
	Material
Lead-frame	Cu Alloy With Ag Plating
Package	High Temperature Resistant Plastic, PPA
Encapsulant	Epoxy
Soldering Leads	Sn-Sn Plating

### Recommended Solder Pad



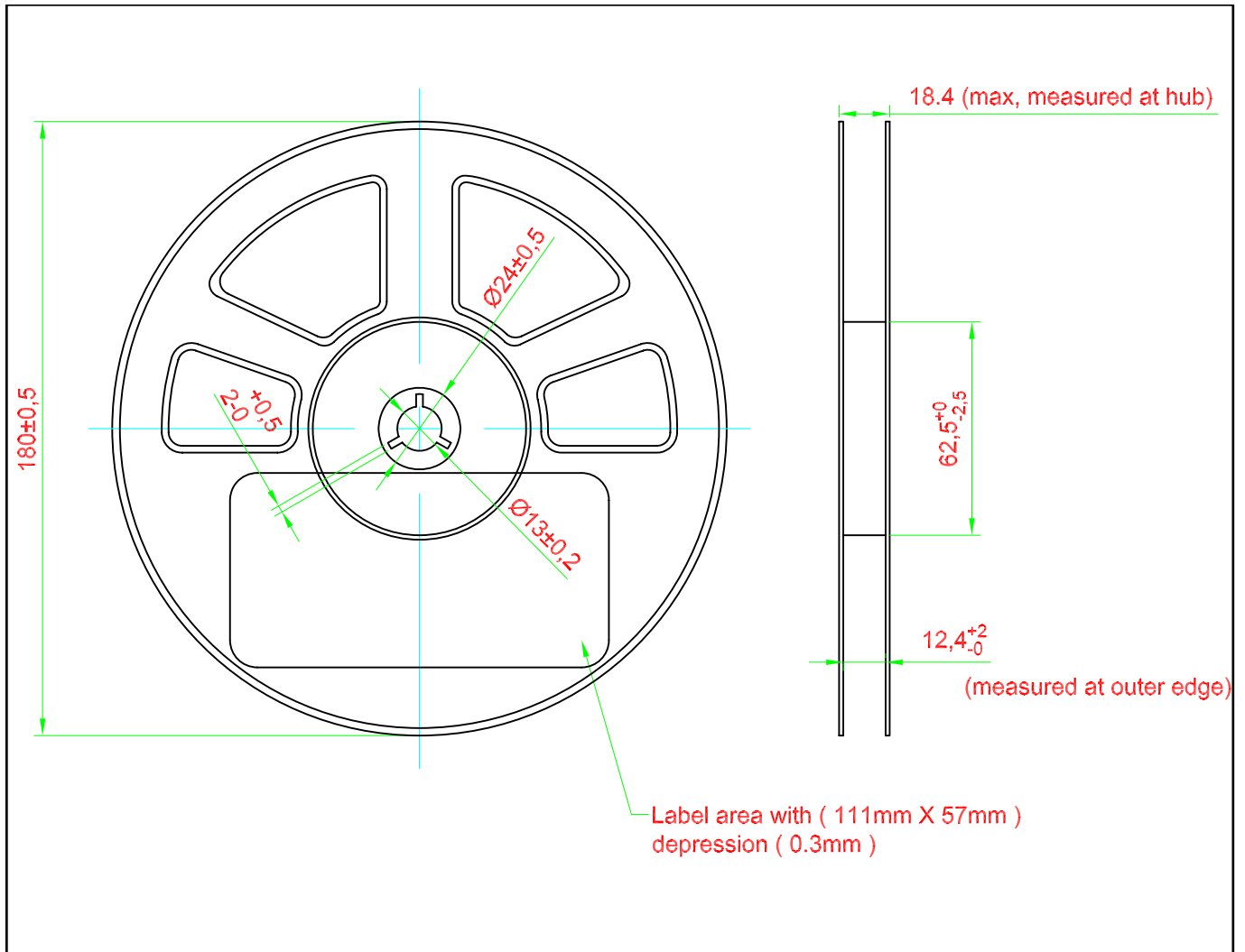
### Taping and orientation

- Reels come in quantity of 2500 units.
- Reel diameter is 180 mm.

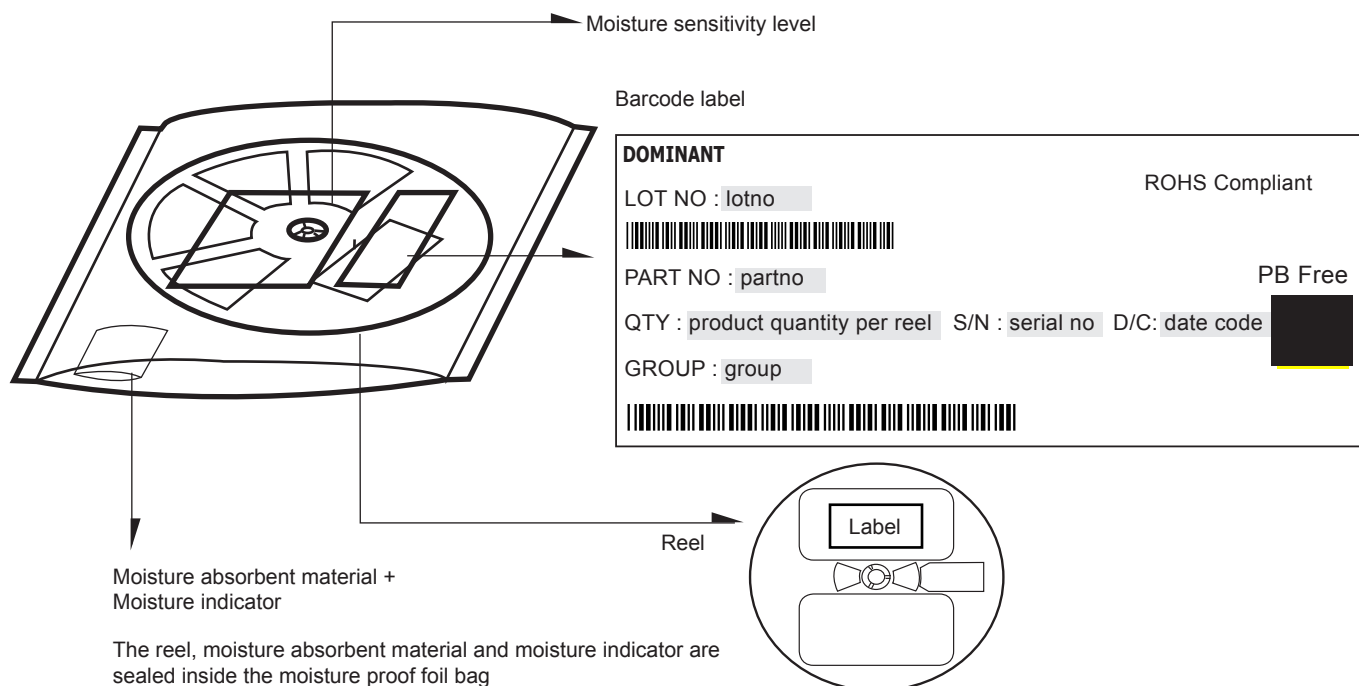




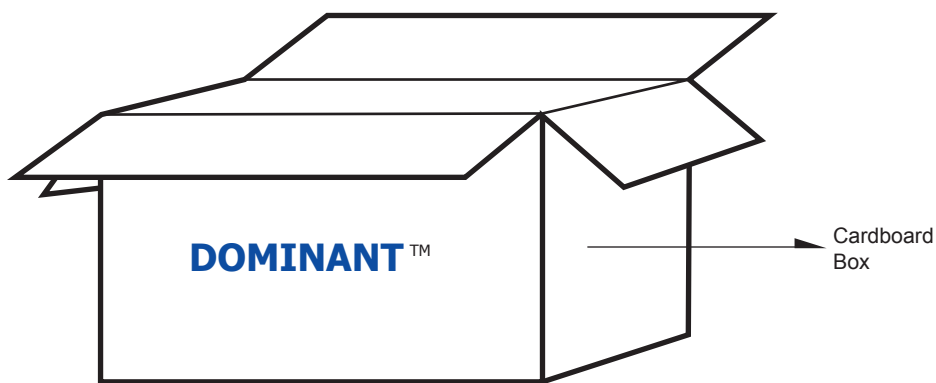
## Packaging Specification



**Packaging Specification**



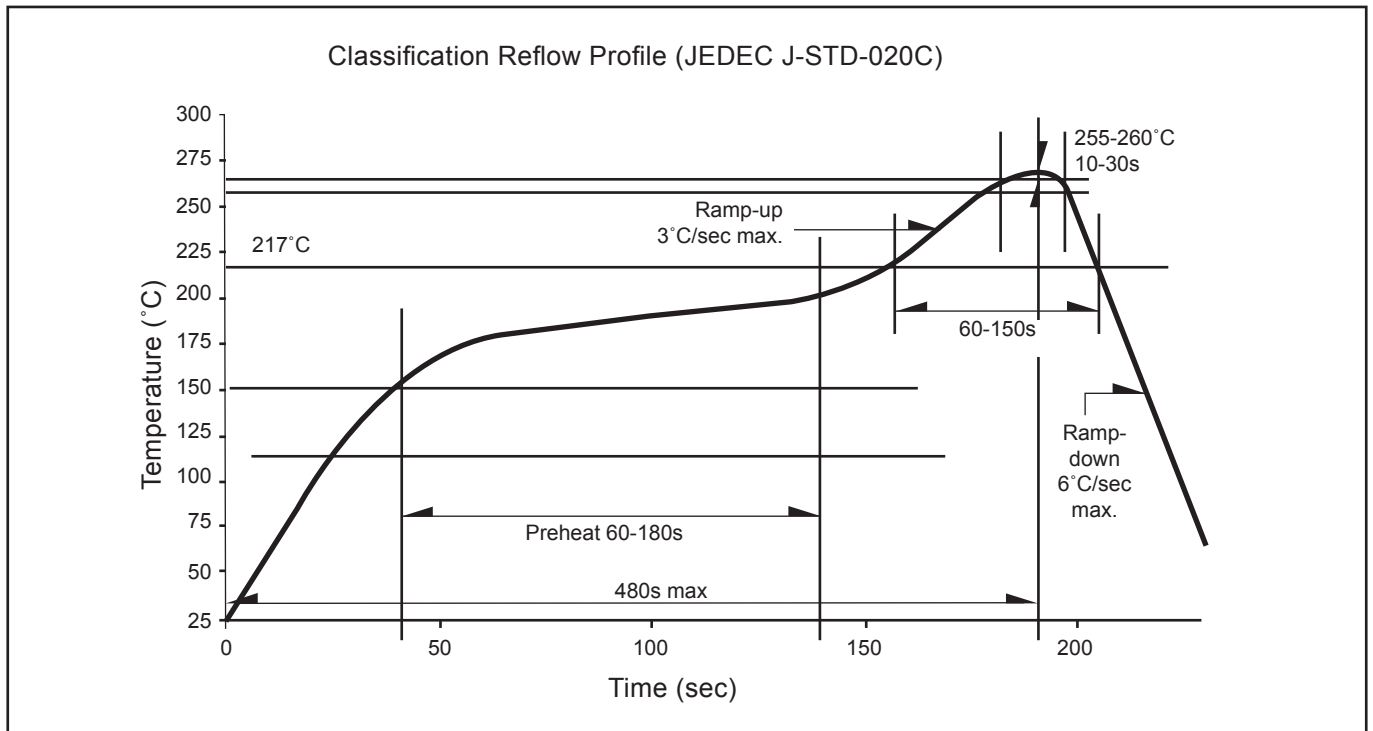
	Average 1pc Right Angle DomiLED	1 completed bag (2500pcs)
<b>Weight (gram)</b>	<b>0.034</b>	<b>190 ± 10</b>



**For Right Angle DomiLED™**

Cardboard Box Size	Dimensions (mm)	Empty Box Weight (kg)	Reel / Box	Quantity / Box (pcs)
Small	300 x 250 x 250	0.58	15 reels MAX	37,500 MAX
Large	416 x 516 x 476	1.74	96 reels MAX	240,000 MAX

**Recommended Pb-free Soldering Profile**



**Revision History**

<b>Page</b>	<b>Subjects</b>	<b>Date of Modification</b>
-	Initial release	15 Jun 2010
1, 9	- Update product photo - Error in carrier tape	21 Jun 2012
6	Typo error on package outline	16 Oct 2013
1, 4, 6	Update Features Add Vf Binning Add Notes in Package Outline	05 Oct 2015

**NOTE**

All the information contained in this document is considered to be reliable at the time of publishing. However, DOMINANT Opto Technologies does not assume any liability arising out of the application or use of any product described herein.

DOMINANT Opto Technologies reserves the right to make changes to any products in order to improve reliability, function or design.

DOMINANT Opto Technologies products are not authorized for use as critical components in life support devices or systems without the express written approval from the Managing Director of DOMINANT Opto Technologies.

## About Us

DOMINANT Opto Technologies is a dynamic Malaysian Corporation that is among the world's leading SMT LED Manufacturers. An excellence – driven organization, it offers a comprehensive product range for diverse industries and applications. Featuring an internationally certified quality assurance acclaim, DOMINANT's extra bright LEDs are perfectly suited for various lighting applications in the automotive, consumer and communications as well as industrial sectors. With extensive industry experience and relentless pursuit of innovation, DOMINANT's state-of-art manufacturing, research and testing capabilities have become a trusted and reliable brand across the globe. More information about DOMINANT Opto Technologies can be found on the Internet at <http://www.dominant-semi.com>.

### **Please contact us for more information:**

#### Head Quarter

DOMINANT Opto Technologies Sdn. Bhd.  
Lot 6, Batu Berendam, FTZ Phase III, 75350 Melaka, Malaysia  
Tel: (606) 283 3566 Fax: (606) 283 0566  
E-mail: [sales@dominant-semi.com](mailto:sales@dominant-semi.com)

