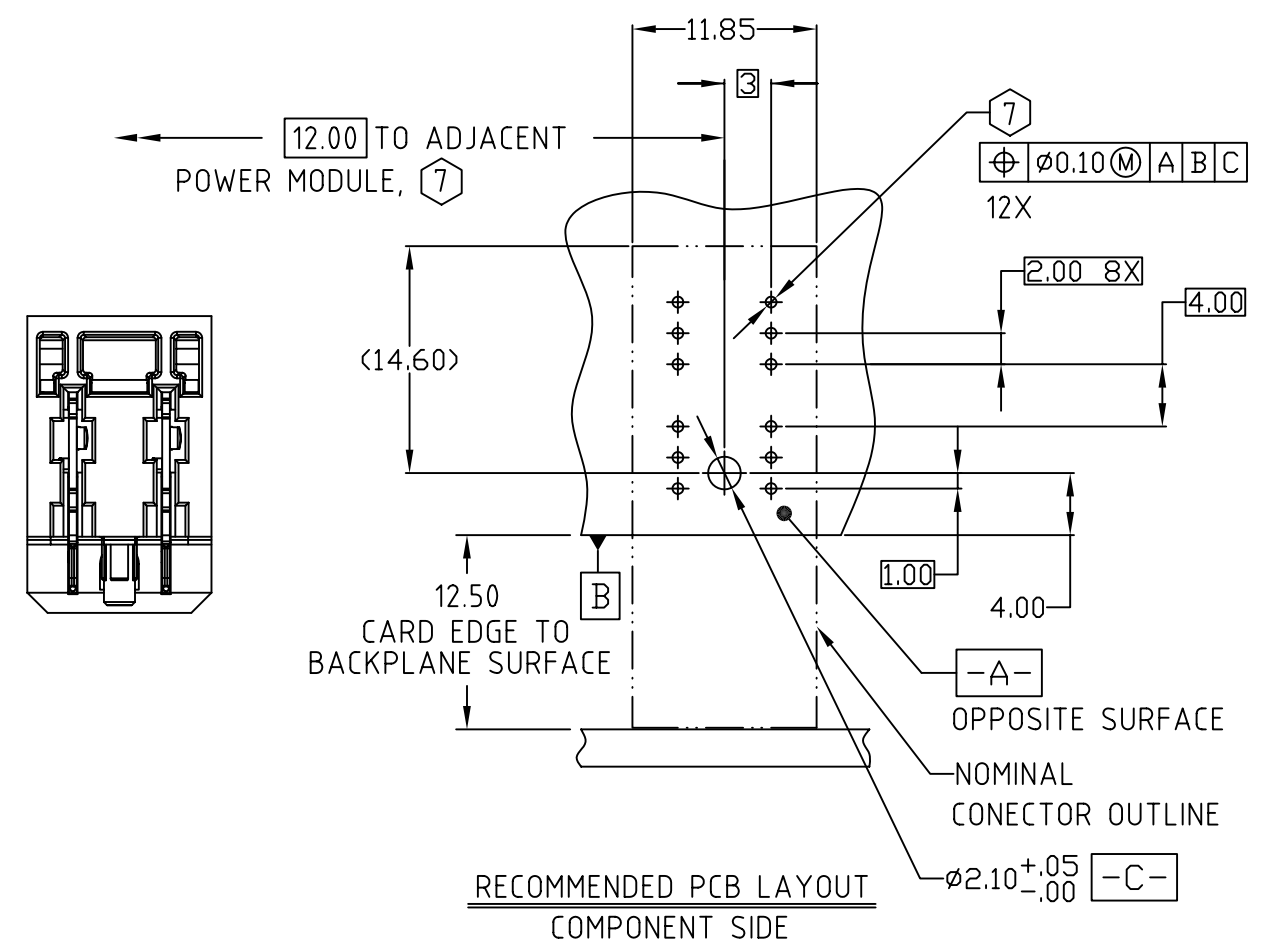
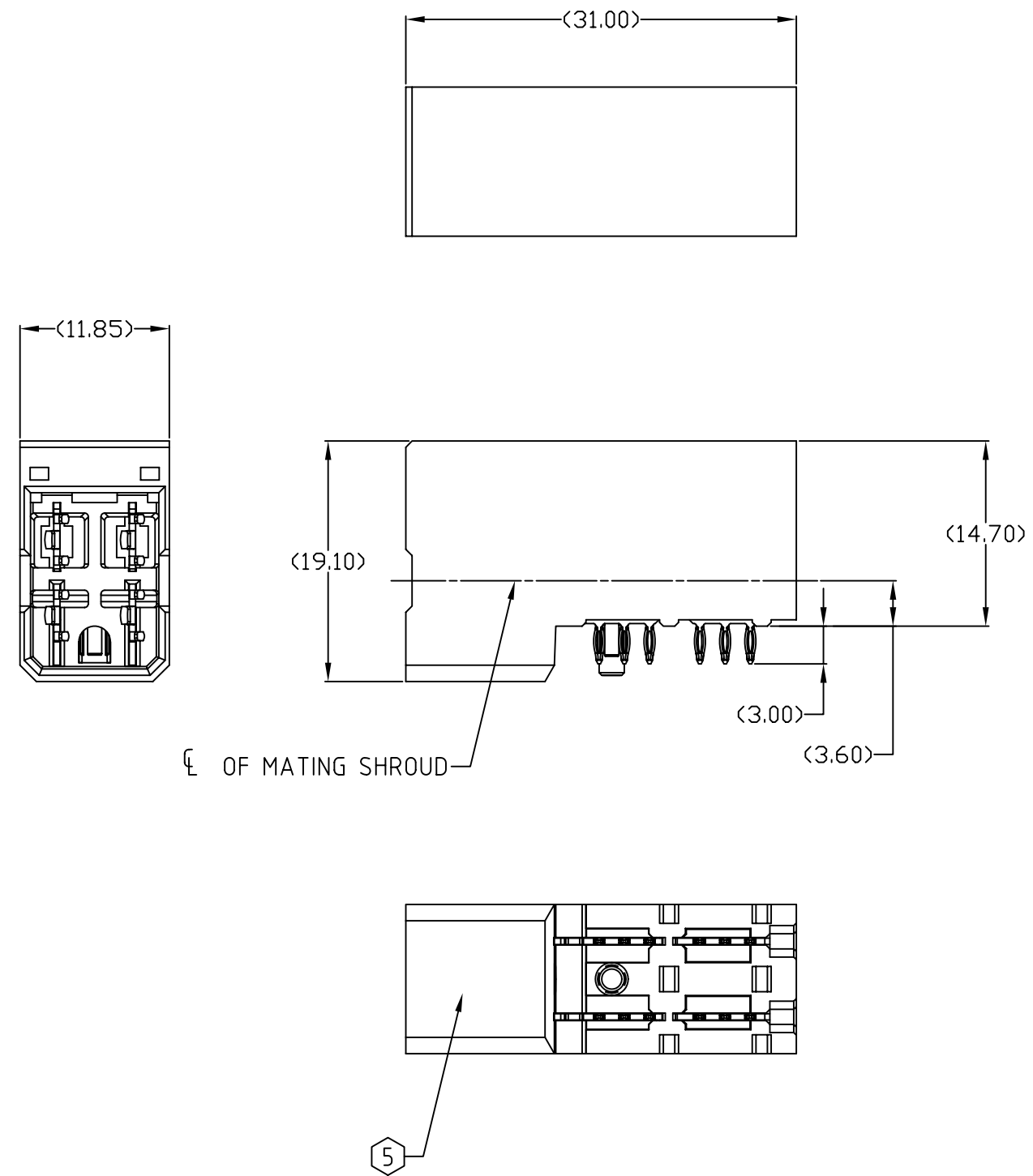


REV	SCR NO.	DESCRIPTION	BY	DATE	APPROVED
-	KLEC-6XWTU5.VER01	NEW RELEASE	HCL-BS	01/30/07	K.LEBLANC
A	KLEC-73BSCW.VER01	MODIFIED TABLE 1	HCL-GM	05/22/07	K.LEBLANC
B	KLEC-75FJ5Y.VER02	REMOVED TABLE 1	HCL-RB	08/03/07	K.LEBLANC



TOLERANCES	DWN	01/30/07
.00	± 0.2	HCL-BS
.000	± 0.1	CHK
.0000	± 0.05	01/30/07
ANGLES	± 2°	K.LEBLANC
UNLESS OTHERWISE SPECIFIED DIMENSIONS ARE IN MILLIMETERS		

Amphenol TCS
A Division of Amphenol Corporation
44 Simon Street, Nashua, N.H. 03060 (603) 879-3000

TITLE
AIRMAX VS RA HEADER ASSY
POWER,PRESS-FIT,2X2 PDS,12MM

INTERPRET PER ANSI Y14.5
CODE IDENT 31413

CUSTOMER USE
DRAWING

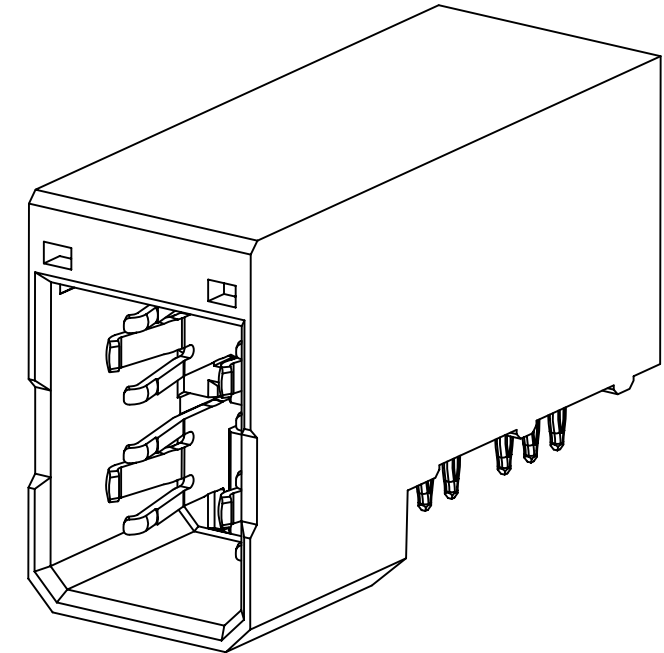
PART NO.	AA622-01000	REV	A
DRAWING NO.	CAA622-01000	REV	B
SIZE	B	SCALE	2:1
		SHEET	1 OF 2

DWG NO. CAA622-01000
SH 1
REV B

REV	SCR NO.	DESCRIPTION	BY	DATE	APPROVED
		SEE SHEET 1			

NOTES:

- 1 CONTACT MATERIALS:
HOUSING: HIGH TEMPERATURE THERMOPLASTIC, BLACK, UL 94V-0
CONTACT: HIGH PERFORMANCE COPPER ALLOY
- 2 CONTACT PLATING:
PRESS-FIT TAIL: 0.5 - 2.0µm PURE TIN OVER NICKEL
SEPARABLE INTERFACE: 0.76µm MIN GOLD OVER NICKEL
- 3 PRODUCT SPECIFICATION: TB-2162
- 4 APPLICATION SPECIFICATION: TB-2163
- 5 PRODUCT MARKING, (PART NUMBER & LOT CODE) ON THIS SURFACE
- 6 MINIMUM NOMINAL PCB THICKNESS: 1.6mm
- 7 REFER TO CUSTOMER DRAWING CAA-PCB-5000 FOR INFORMATION REGARDING PCB LAYOUT, DRILL, AND FINISH DIAMETERS OF POWER AND GUIDE MODULES RELATIVE TO SIGNAL MODULES.



TOLERANCES		DWN 01/30/07 HCL-BS	Amphenol TCS A Division of Amphenol Corporation 44 Simon Street, Nashua, N.H. 03060 (603) 879-3000
.00	± 0.2	CHK 01/30/07 K.LEBLANC	
.000	± 0.1	APVD 01/30/07 K.LEBLANC	
.0000	± 0.05		
ANGLES	± 2°		
UNLESS OTHERWISE SPECIFIED DIMENSIONS ARE IN MILLIMETERS			TITLE AIRMAX VS RA HEADER ASSY POWER,PRESS-FIT,2X2 POS,12MM

 INTERPRET PER ANSI Y14.5
CODE IDENT 31413

CUSTOMER USE DRAWING		PART NO. AA622-01000	REV A
		DRAWING NO. CAA622-01000	REV B
SIZE B	SCALE 3:1	SHEET 2 OF 2	

DWG NO. CAA622-01000 SH 2 REV B