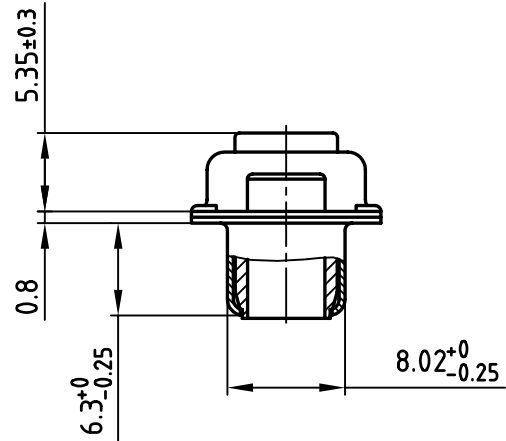
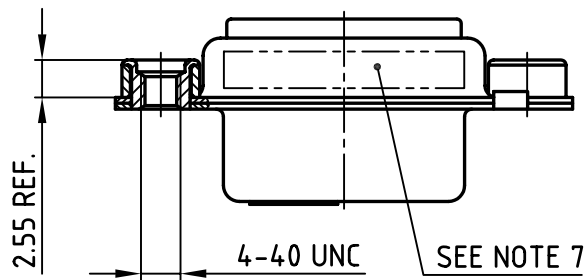
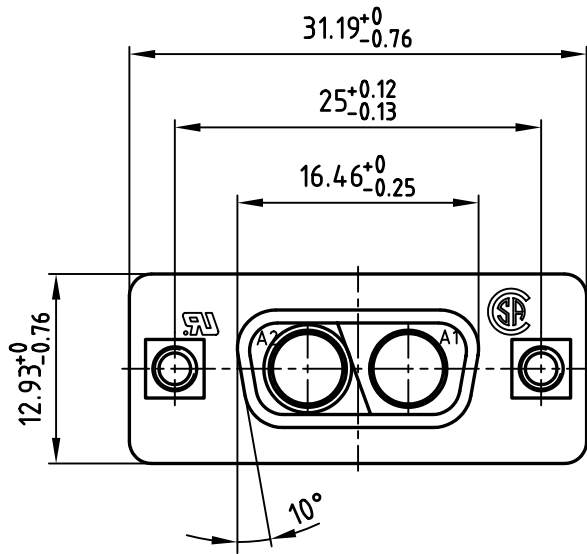


used for: D-SUB COMBINATION



Directive 2002/95/EC
"RoHS"
Compliant

NOTES:

1. METALHELLS: STEEL; min. 320µ" TIN
2. INSULATORS: PBT GF UL 94 V-0, GREEN
3. NO CONTACTS ON POS. A1+ A2
4. THREADED INSERT: COPPER ALLOY; min. 200µ" TIN over 80µ" NICKEL
5. COLLAR: COPPER ALLOY; min. 200µ" TIN over 80µ" NICKEL
6. MAXIMUM TORQUE VALUE FOR THREAD: 6" LBS
7. CONNECTOR IS PART MARKED: 302W2CSXX99A30X CONEC ABC
8. = CHECK DIMENSION

APPROVAL # FREIGABE # DEBLOCAGE # AUTORIZACION # APPROVAL	
CUSTOMER APPROVAL DATE:	
NAME:	TITLE:
COMPANY NAME:	
APPROVAL # FREIGABE # DEBLOCAGE # AUTORIZACION # APPROVAL	

THIS DRAWING MAY NOT BE COPIED OR REPRODUCED IN ANY WAY, AND MAY NOT BE PASSED ON TO A THIRD PARTY WITHOUT WRITTEN PERMISSION.
 OWNERSHIP AND COPYRIGHT OF CONEC GmbH
 DO NOT ALTER CAD DRAWING BY HAND

		tolerance		dim. in mm	
		2006	date	name	
		drawn	08.02.	Lehmenkühler	
		appd.	09.02.	Mickenbecker	
		norm			
		d-old			
a	Origin				
rev.	description	date			

scale: 2:1	
material: SEE NOTES	
title: D-SUB COMBINATION FEMALE 2W2CS without contacts	
dwg no: 13K1A1714	AutoCAD 2004
part no: 302W2CSXX99A30X	
DIN-A	4
sh: 1/1	