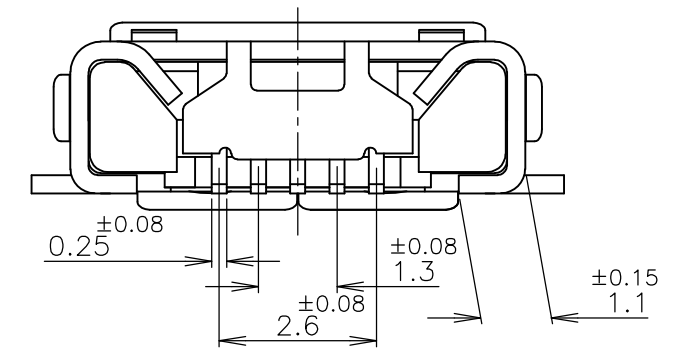
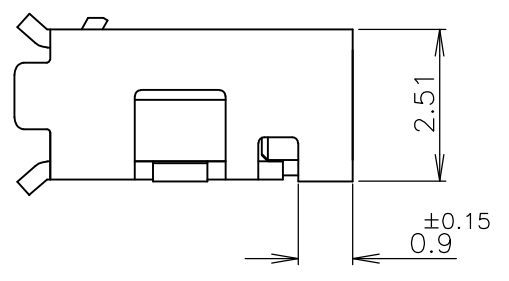
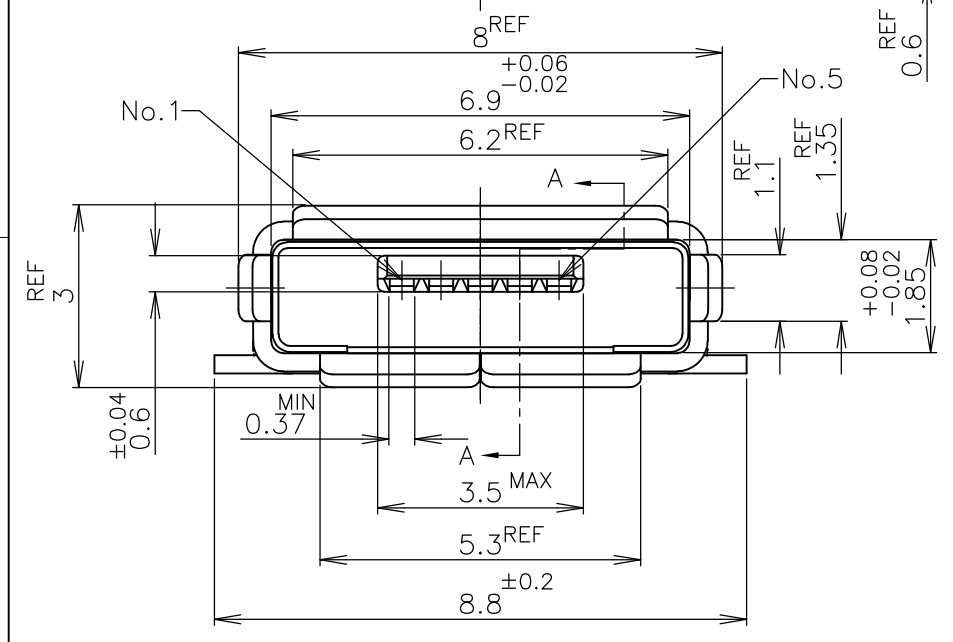
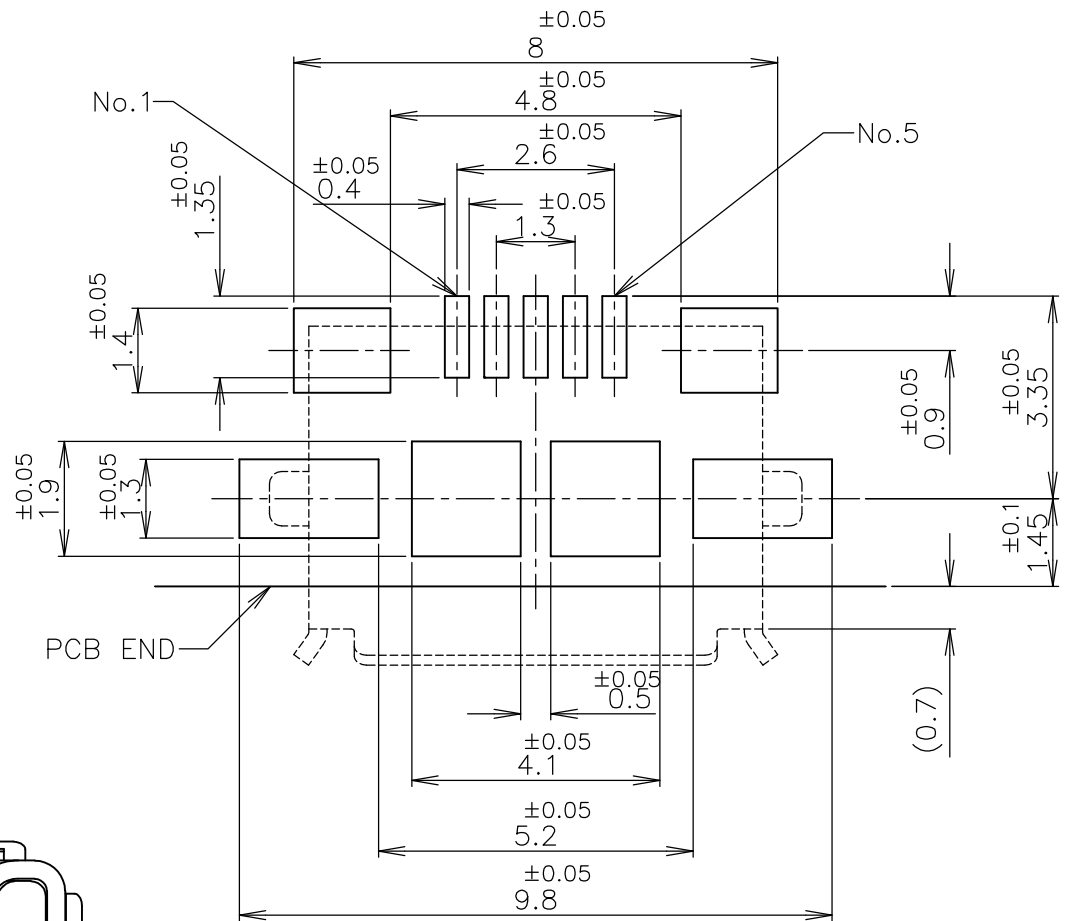
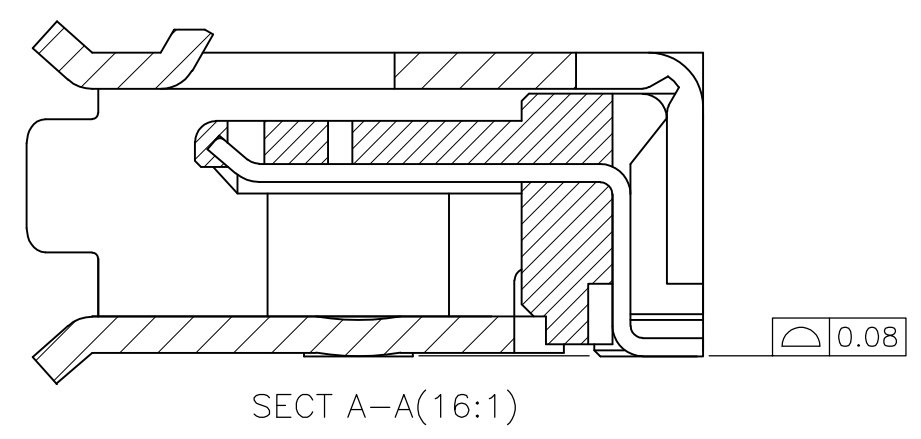
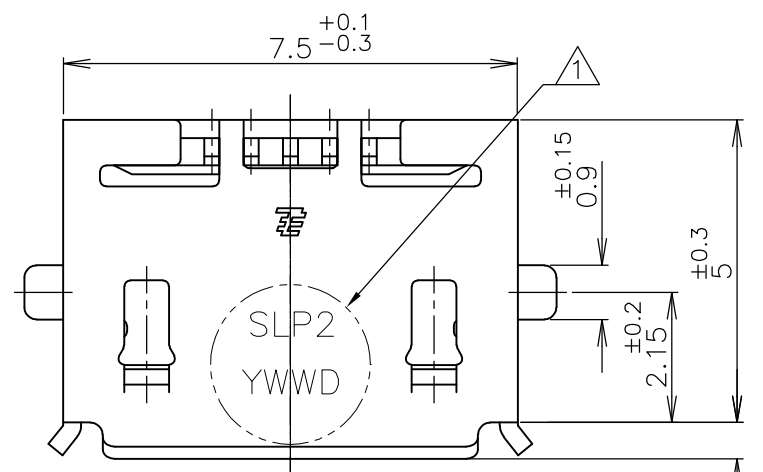


THIS DRAWING IS UNPUBLISHED. RELEASED FOR PUBLICATION JAN , 2007.
 © COPYRIGHT 2007 By - ALL RIGHTS RESERVED.

LOC	DIST	REVISIONS					
J	/	P	LTR	DESCRIPTION	DATE	DWN	APVD
		D1		REVISED PER ECO-11-005030	11MAR11	RK	HMR



- 1. DATE CODE AND VERSION MARKING
- 2. OVERALL TOLERANCE: ±0.2
- 3. MATERIAL HOUSING : THERMOPLASTIC RESIN UL94V-0
CONTACT : COPPER ALLOY
SHELL : STAINLESS STEEL
- 4. FINISH CONTACT : Ni UNDER PL
Au PL AT
SHELL : Ni UNDER PL
Sn PL

THIS DRAWING IS A CONTROLLED DOCUMENT.

DIMENSIONS: 単位: 耗 MM	TOLERANCES UNLESS OTHERWISE SPECIFIED: 一般公差
	0 PLC ± -
	1 PLC ± -
	2 PLC ± -
	3 PLC ± -
	4 PLC ± -
	ANGLES ± 10
	FINISH 仕上

DWN	J.TSUJI	06AUG2007
CHK	T.KUSUHARA	07AUG2007
APVD	T.KUSUHARA	07AUG2007
PRODUCT SPEC	108-78434	
APPLICATION SPEC	取付適用規格	
WEIGHT		



NAME 名称
MICRO USB
RECEPTACLE STANDARD TYPE AB
ASSY

1981584-1
PART NUMBER

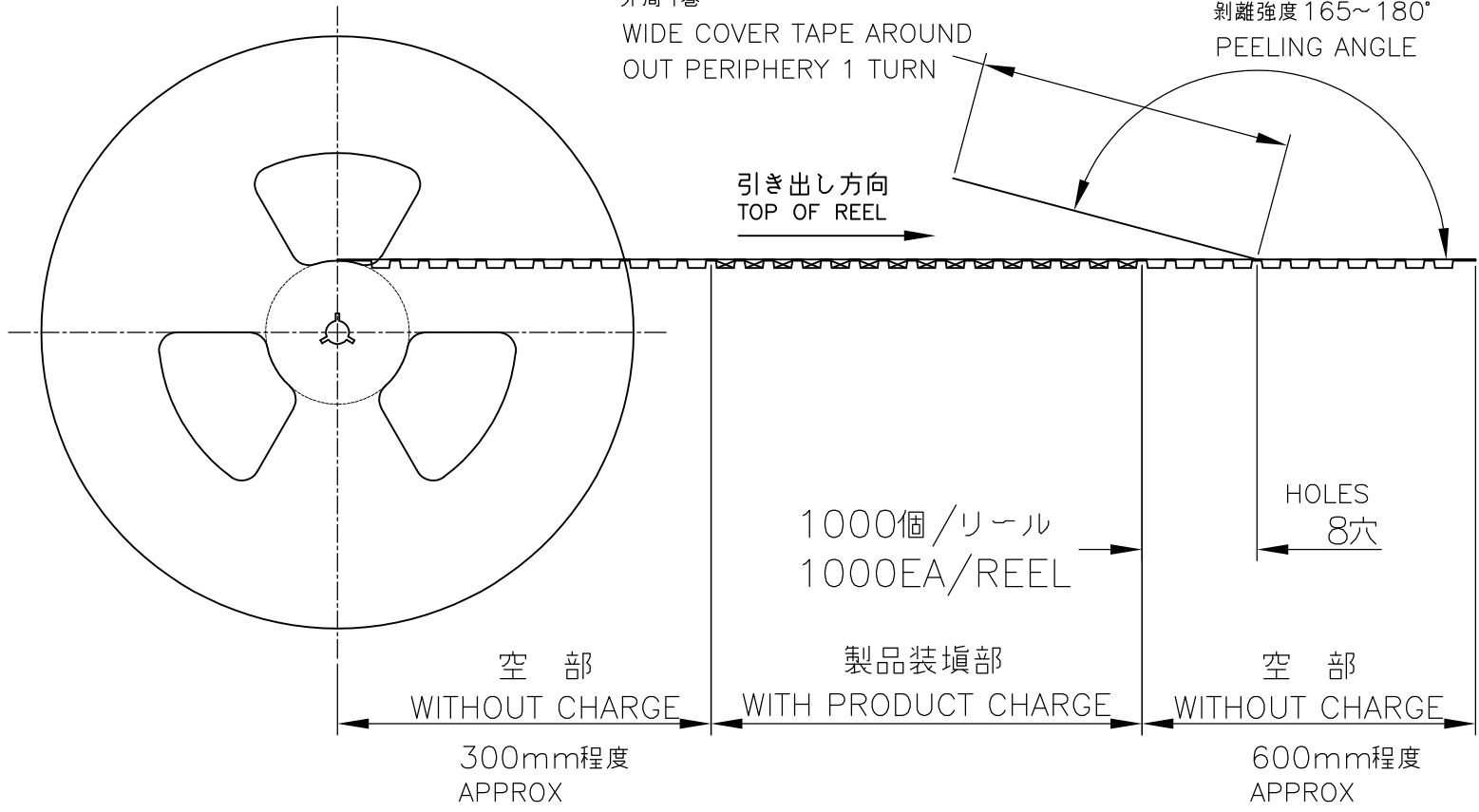
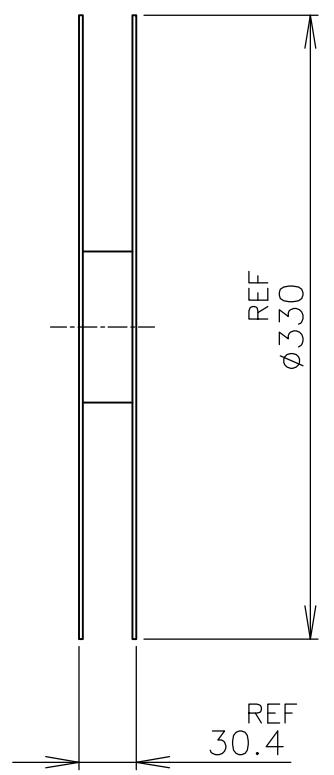
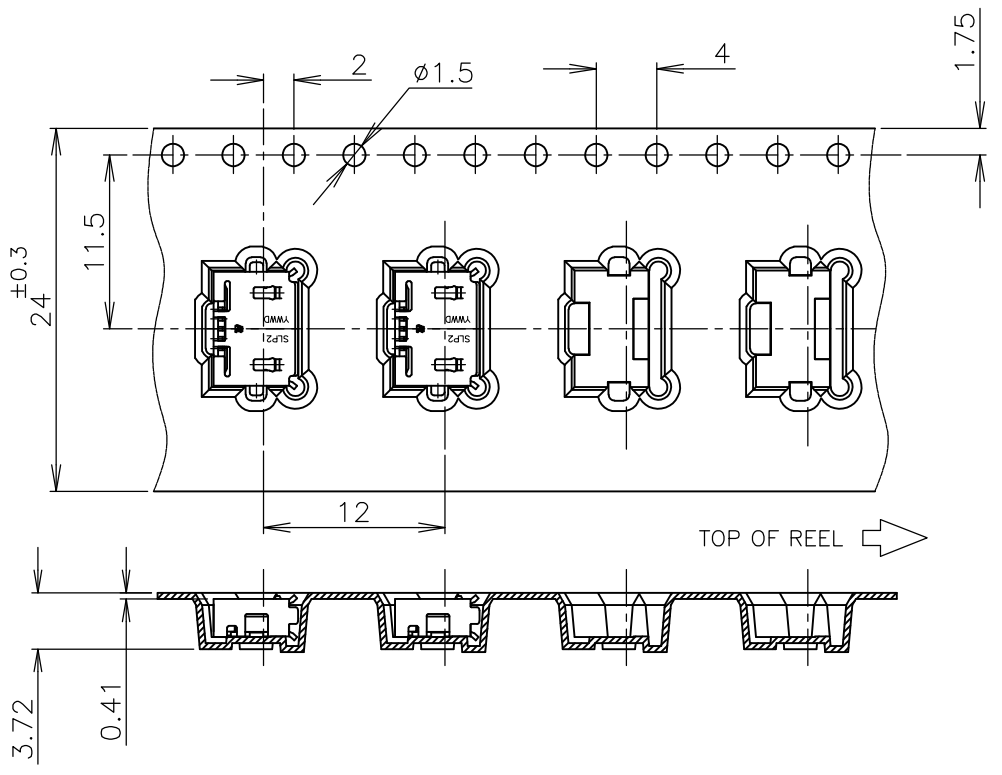
MATERIAL 材料

SIZE	CAGE CODE	DRAWING NO 番号	RESTRICTED TO
A3	00779	C-1981584	-

CUSTOMER DRAWING SCALE 尺度 8:1 SHEET 1 OF 2 REV D1

THIS DRAWING IS UNPUBLISHED. RELEASED FOR PUBLICATION JAN , 2007.
 © COPYRIGHT 2007 By - ALL RIGHTS RESERVED.

LOC	DIST	REVISIONS					
J	/	P	LTR	DESCRIPTION	DATE	DWN	APVD
		-		SEE SHEET 1	-	-	-



THIS DRAWING IS A CONTROLLED DOCUMENT.		DWN	STE TE Connectivity		
DIMENSIONS: 単位: 耗 MM		CHK			
TOLERANCES UNLESS OTHERWISE SPECIFIED: 一般公差		APVD	NAME 名称		
0 PLC ±-		PRODUCT SPEC 製品規格	MICRO USB RECEPTACLE STANDARD TYPE AB ASSY		
1 PLC ±-		APPLICATION SPEC 取付適用規格	SIZE	CAGE CODE	DRAWING NO 番号
2 PLC ±-		WEIGHT	A3	00779	C-1981584
3 PLC ±-		RESTRICTED TO			
4 PLC ±-		CUSTOMER DRAWING			
ANGLES ±-		SCALE 尺度	SHEET		REV
FINISH 仕上		2:1	2 OF 2		D1