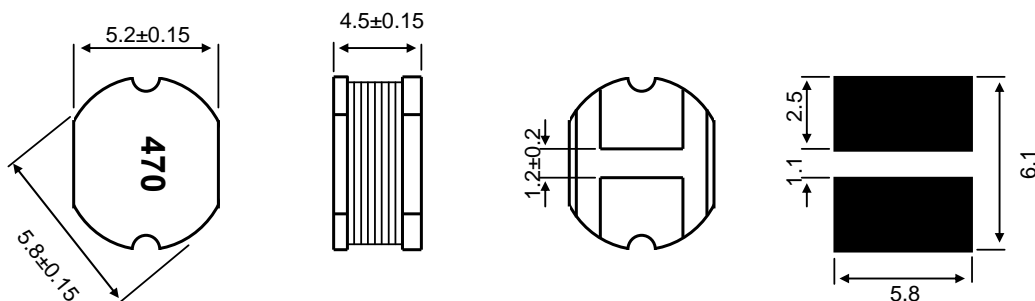


SMD Nonshielded type

▼ Shape & Dimensions / Recommended Solder Land Pattern

(Dimensions in mm)



▼ Electrical Characteristics

Ordering Code	Inductance		Freq. F (KHz)	DC Resistance(Ω)	Rated DC current(A)
	L (uH)	Tol. (%)		Rdc (Max.)	
LPN5845T-100K	10	±10	100	0.10	1.50
LPN5845T-150K	15			0.14	1.30
LPN5845T-220K	22			0.18	1.10
LPN5845T-330K	33			0.23	0.88
LPN5845T-470K	47			0.37	0.72
LPN5845T-680K	68			0.46	0.61
LPN5845T-101K	100			0.70	0.52
LPN5845T-151K	150			1.10	0.40
LPN5845T-221K	220			1.57	0.35

▼ Test Equipments

- . L : Agilent E4980A Precision LCR Meter
- . Rdc : HIOKI 3540 mΩ HiTESTER
- . Idc : Agilent 4284A LCR Meter + Agilent 42841A Bias Current Source

▼ Test Condition

- . L(Frequency , Voltage) : F=100 (KHz) , V=0.5 (V)
- . Idc(The saturation current) : $\Delta L \leq 10\%$ typical at rated current
- ※ Rated DC current : Idc

▼ Operating Temperature Range

-20 ~ +85 °C (Including self-generated heat)