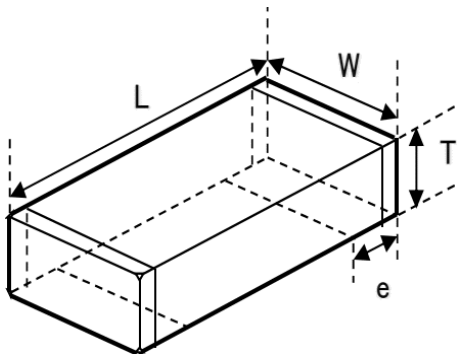


## Spec Sheet

High-Q Multilayer Chip Inductors for High Frequency Applications (HK series Q type / AQ series)

# HKQ0603W0N7C-T



### ■ Features

- Item Summary  
0.7nH(-0.2nH to +0.2nH), 850mA, 15, 0201
- Lifecycle Stage  
Mass Production
- Standard packaging quantity (minimum)  
Taping 15000pcs

### ■ Products characteristics table

|                                |                         |
|--------------------------------|-------------------------|
| CaseSize (EIA/JIS)             | 0201/0603               |
| Inductance                     | 0.7nH(-0.2nH to +0.2nH) |
| Inductance Measuring Frequency | 500MHz                  |
| Rated Current                  | 850mA<br>-              |
| DC Resistance (max)            | 0.07 $\Omega$           |
| Self-resonant Frequency (min)  | 10000MHz                |
| Q (max)                        | 15min                   |
| Q Measuring Frequency          | 500MHz                  |
| RoHS Compliance                | Yes                     |
| Halogen Free                   | Yes                     |
| Soldering Method               | Reflow                  |

### ■ External Dimensions

|   |                   |
|---|-------------------|
| L | 0.6mm $\pm 0.03$  |
| W | 0.3mm $\pm 0.03$  |
| H | 0.3mm $\pm 0.03$  |
| e | 0.15mm $\pm 0.05$ |

2015.04.13

The data is reference only. Electrical characteristics vary depending on environment or measurement condition.  
TAIYO YUDEN reserves the right to make change to the Date at any time without notice.  
Before making final selection, please check product specification.