



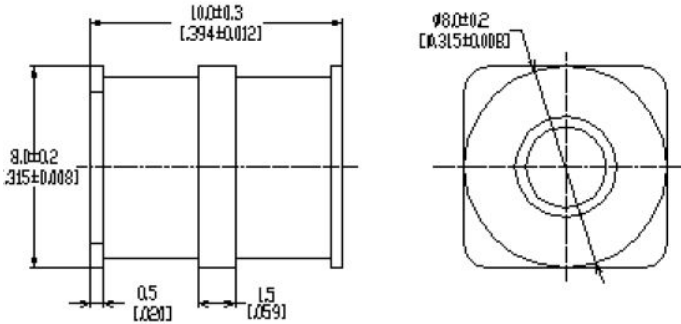
3-Electrode Gas Discharge Tubes

10KA

Fast Delivery Time



1: Dimension(mm)



2: Main Applications

- PCI Cards protection
- Telephone/Fax/Modem protection
- single line protection
- ADSL/XDSL Splitter, Power Supply
- Surge Protection Device/Surge Protector

- 100% Lead-Free (RoHS Compliant)
- Non-Radioactive
- Low capacitance ($\leq 1\text{pF}$)
- Fast Response-time, High Insulation Resistance.
- Small size : $\phi 8 \times 10$ (mm)

4 Electrical Characteristics

Part Number	DC Spark-over Voltage @ 100V/S	Impulse Spark-over Voltage @ 100V/ μs	Impulse Spark-over Voltage @ 1KV/ μs	Insulation Resistance	Impulse discharge current (8/20 μs)	AC discharge current (50Hz, 1s, 10times)	Capacitance (1MHz)
	V	V	V	G Ω	10 Times	A	PF
HA3R75S8	75 $\pm 20\%$	<500	<600	>1	10KA	10	≤ 1
HA3R90S8	90 $\pm 20\%$	<500	<600	>1	10KA	10	≤ 1
HA3R150S8	150 $\pm 20\%$	<500	<600	>1	10KA	10	≤ 1
HA3R230S8	230 $\pm 20\%$	<600	<700	>1	10KA	10	≤ 1
HA3R250S8	250 $\pm 20\%$	<600	<700	>1	10KA	10	≤ 1
HA3R350S8	350 $\pm 20\%$	<900	≤ 1000	>1	10KA	10	≤ 1
HA3R400S8	400 $\pm 20\%$	<900	≤ 1000	>1	10KA	10	≤ 1
HA3R420S8	420 $\pm 20\%$	<900	≤ 1000	>1	10KA	10	≤ 1
HA3R470S8	470 $\pm 20\%$	<1100	≤ 1200	>1	10KA	10	≤ 1
HA3R600S8	600 $\pm 20\%$	<1200	≤ 1300	>1	10KA	10	≤ 1
HA3R800S8	800 $\pm 20\%$	<1300	≤ 1400	>1	10KA	10	≤ 1

Packing Quantity : 100PCS

HuaXinAn Electronics

sales@huaandz.com

abc0734@126.com

Cross Reference List (Ø8x10mm)

HUAAN Gas Discharge Tube Part Number	Cross Reference		
	Littelfuse Gas Discharge Tube Part Number	Bourns Gas Discharge Tube Part Number	TDK EPCOS Surge Arrester Part Number
HA3R75S8	-	-	-
HA3R90S8	-	-	-
HA3R150S8	-	-	-
HA3R230S8	-	-	-
HA3R250S8	-	-	-
HA3R350S8	-	-	-
HA3R400S8	-	-	-
HA3R420S8	-	-	-
HA3R470S8	-	-	-
HA3R600S8	-	-	-
HA3R800S8	-	-	-

The above trademarks are belonging to the HUAAN LIMITED, Littelfuse, Bourns, TDK / EPCOS.

We do not ensure characteristics of HUAAN products just same as products of Littelfuse or bourns or TDK / EPCOS.

HuaXinAn Electronics

sales@huaandz.com

abc0734@126.com

2

HUAAN LIMITED

www.huaandz.com

Tel: +86-755-27465585