

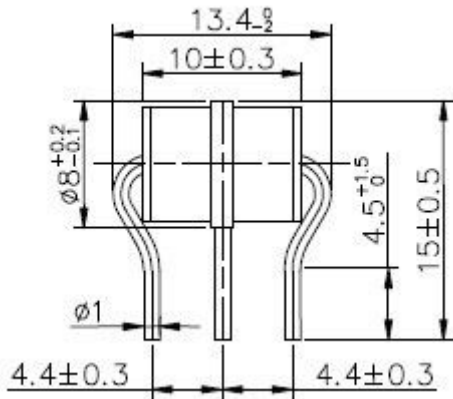


**3-Electrode Gas Discharge Tubes**

20KA

**1: Dimension(mm)**

Fast Delivery Time



**2:Main Applications**

- PCI Cards protection
- Telephone/Fax/Modem protection
- single line protection
- ADSL/XDSL Splitter,Power Supply
- Surge Protection Device/Surge Protector

- 100% Lead-Free(RoHS Compliant )
- Non-Radioactive
- Low capacitance (≤1pF)
- Fast Response-time,High Insulation Resistance.
- Small size :Ø8x10(mm)

**4 Electrical Characteristics**

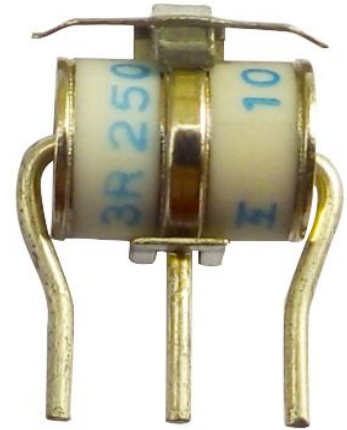
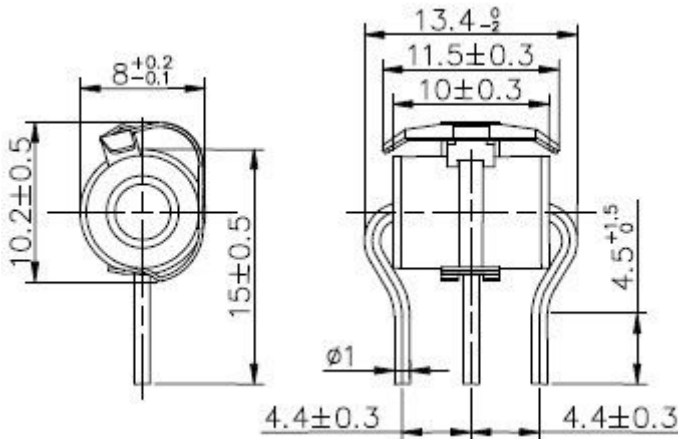
Part Number	DC Spark-over Voltage @ 100V/S	Impulse Spark-over Voltage @100V/μs	Impulse Spark-over Voltage @1KV/μs	Insulation Resistance	Impulse discharge current(8/20μs)	AC discharge current (50Hz,1s,10ti mes)	Capacitance (1MHz)
	V	V	V	GΩ	10 Times	A	PF
HA3R75D	75±20%	<500	<600	>1	20KA	20	≤1
HA3R90D	90±20%	<500	<600	>1	20KA	20	≤1
HA3R150D	150±20%	<500	<600	>1	20KA	20	≤1
HA3R230D	230±20%	<600	<700	>1	20KA	20	≤1
HA3R250D	250±20%	<600	<700	>1	20KA	20	≤1
HA3R300D	300±20%	<800	≤ 900	>1	20KA	20	≤1
HA3R350D	350±20%	<900	≤ 1000	>1	20KA	20	≤1
HA3R400D	400±20%	<900	≤ 1000	>1	20KA	20	≤1
HA3R420D	420±20%	<900	≤ 1000	>1	20KA	20	≤1
HA3R470D	470±20%	<1100	≤ 1200	>1	20KA	20	≤1
HA3R500D	500±20%	<1100	≤ 1200	>1	20KA	20	≤1
HA3R600D	600±20%	<1200	≤ 1300	>1	20KA	20	≤1
HA3R800D	800±20%	<1300	≤ 1400	>1	20KA	20	≤1



**1: Dimension(mm)**

continued

**20KA**



**With Fail-safe**

**2 Electrical Characteristics**

Part Number	DC Spark-over Voltage @ 100V/S	Impulse Spark-over Voltage @100V/μs	Impulse Spark-over Voltage @1KV/μs	Insulation Resistance	Impulse discharge current(8/20 μs)	AC discharge current (50Hz, 1s, 10times)	Capacitance (1MHz)
With Fail-safe	V	V	V	GΩ	10 Times	A	PF
HA3R75DF	75±20%	<500	<600	>1	20KA	20	≤1
HA3R90DF	90±20%	<500	<600	>1	20KA	20	≤1
HA3R150DF	150±20%	<500	<600	>1	20KA	20	≤1
HA3R230DF	230±20%	<600	<700	>1	20KA	20	≤1
HA3R250DF	250±20%	<600	<700	>1	20KA	20	≤1
HA3R300DF	300±20%	<800	≤ 900	>1	20KA	20	≤1
HA3R350DF	350±20%	<900	≤ 1000	>1	20KA	20	≤1
HA3R400DF	400±20%	<900	≤ 1000	>1	20KA	20	≤1
HA3R420DF	420±20%	<900	≤ 1000	>1	20KA	20	≤1
HA3R470DF	470±20%	<1100	≤ 1200	>1	20KA	20	≤1
HA3R500DF	500±20%	<1100	≤ 1200	>1	20KA	20	≤1
HA3R600DF	600±20%	<1200	≤ 1300	>1	20KA	20	≤1
HA3R800DF	800±20%	<1300	≤ 1400	>1	20KA	20	≤1

**Packing Quantity : 100PCS**

**Cross Reference List (Ø8x10mm)**

HUAAN Gas Discharge Tube Part Number	Cross Reference		
	Littelfuse Gas Discharge Tube Part Number	Bourns Gas Discharge Tube Part Number	TDK EPCOS Surge Arrester Part Number
<b>HA3R75D</b>	PMT3(310)07504	2026-07-C2LF	
<b>HA3R90D</b>	PMT3(310)09004 SL1021B090R SL1024B090R PMT809004	2026-09-C2LF	
<b>HA3R150D</b>	PMT3(310)15004 SL1021B150R SL1024B150R	2026-15-C2LF	
<b>HA3R230D</b>	PMT3(310)23004 SL1021B230R SL1024B230R PMT823004	2026-23-C2LF	T23-A230X B88069X8740B502
<b>HA3R250D</b>	PMT3(310)25004 SL1021B250R SL1024B250R PMT825004	2026-25-C2LF	T23-A250X B88069X8840B252
<b>HA3R300D</b>	SL1021B300R SL1024B300R	2026-30-C2LF	
<b>HA3R350D</b>	PMT3(310)35004 SL1021B350R SL1024B350R PMT835004	2026-35-C2LF	T23-A350X B88069X7200B502 T23-C350XS B88069X8160B502
<b>HA3R400D</b>	PMT3(310)40004 SL1021B400R SL1024B400R PMT840004	2026-40-C2LF	
<b>HA3R420D</b>	SL1021B420R SL1024B420R	2026-42-C2LF	T23-A420X B88069X8070B502
<b>HA3R470D</b>		2026-47-C2LF	
<b>HA3R500D</b>	SL1021B500R SL1024B500R		
<b>HA3R600D</b>		2026-60-C2LF	
<b>HA3R75DF</b>	PMT3(310)07504F	2026-07-C2FLF	

<b>HA3R90DF</b>	<b>PMT3(310)09004F SL1021B090RRF / G SL1024B090RRF / G PMT809004F</b>	<b>2026-09-C2FLF</b>	
<b>HA3R150DF</b>	<b>PMT3(310)15004F SL1021B150RRF / G SL1024B150RRF / G</b>	<b>2026-15-C2FLF</b>	
<b>HA3R230DF</b>	<b>PMT3(310)23004F SL1021B230RRF / G SL1024B230RRF / G PMT823004F</b>	<b>2026-23-C2FLF</b>	<b>T25-A230XF1 B88069X8630B102 B88069X8630B502</b>
<b>HA3R250DF</b>	<b>PMT3(310)25004F SL1021B250RRF / G SL1024B250RRF / G PMT825004F</b>	<b>2026-25-C2FLF</b>	<b>T23-A250XF1 B88069X9810B502</b>
<b>HA3R300DF</b>	<b>SL1021B300RRF / G SL1024B300RRF / G</b>	<b>2026-30-C2FLF</b>	
<b>HA3R350DF</b>	<b>PMT3(310)35004F SL1021B350RRF / G SL1024B350RRF / G PMT835004F</b>	<b>2026-35-C2FLF</b>	<b>T23-A350XF1 B88069X7240B502</b>
<b>HA3R400DF</b>	<b>PMT3(310)40004F SL1021B400RRF / G SL1024B400RRF / G PMT840004F</b>	<b>2026-40-C2FLF</b>	
<b>HA3R420DF</b>	<b>SL1021B420RRF / G SL1024B420RRF / G</b>	<b>2026-42-C2FLF</b>	<b>T23-A420XF1 B88069X6210B502</b>
<b>HA3R470DF</b>		<b>2026-47-C2FLF</b>	
<b>HA3R500DF</b>	<b>SL1021B500RRF / G SL1024B500RRF / G</b>		
<b>HA3R600DF</b>		<b>2026-60-C2FLF</b>	
<b>HA3R800DF</b>			

The above trademarks are belonging to the HUAAN LIMITED, Littelfuse .Bourns, TDK / EPCOS.

We do not ensure characteristics of HUAAN products just same as products of Littelfuse or bourns or TDK / EPCOS.

HuaXinAn Electronics

sales@huaandz.com

abc0734@126.com

3

HUAAN LIMITED

[www.huaandz.com](http://www.huaandz.com)

Tel:+86-755-27465585