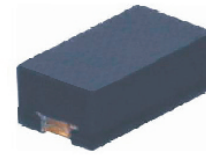


CPDF Series RoHS Device

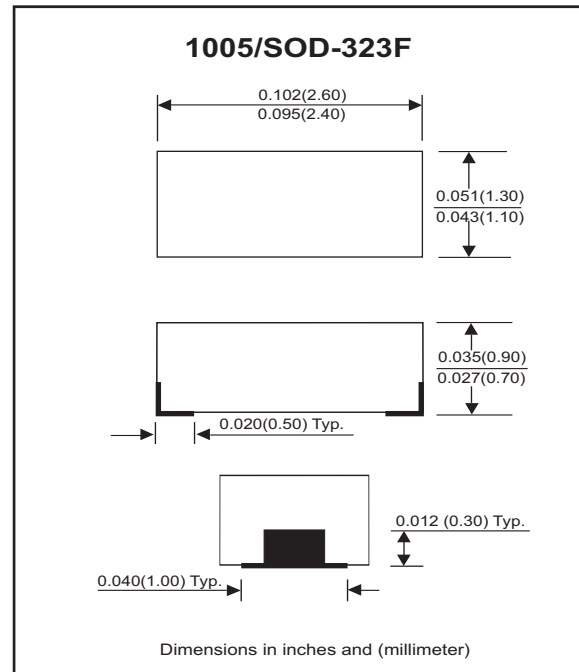


Features

- Bi-directional ESD protection.
- Surface mount package.
- High component density.

Mechanical data

- Case: 1005/SOD-323F Standard package, molded plastic.
- Terminals: Gold plated, solderable per MIL-STD-750, method 2026.
- Marking Code:
 - CPDF5V0: E05
 - CPDF12V: E12
 - CPDF24V: E24
- Mounting position: Any.
- Weight: 0.006 gram (approx.).



Electrical Characteristics (at TA=25 °C unless otherwise noted)

Parameter	Conditions	Symbol	Min	Typ	Max	Unit
Diode breakdown voltage	CPDF5V0	I _R = 1mA	V _{BD}	5.1	7.0	V
	CPDF12V			13	17	
	CPDF24V			25	28	
Leakage current	CPDF5V0	V _R = 5V V _R = 12V V _R = 24V	I _L	0.1	2.0	uA
	CPDF12V					
	CPDF24V					
Junction capacitance	CPDF5V0	V _R = 0V, f = 1MHz	C _T	15	20	pF
	CPDF12V			12	---	
	CPDF24V			10	---	
ESD capability	CPDF Series	IEC 61000-4-2(air) IEC 61000-4-2(contact)	ESD		16 8	kV
Clamping voltage	CPDF5V0	I _{PP} = 5A, T _P = 8/20us I _{PP} = 1A, T _P = 8/20us I _{PP} = 1A, T _P = 8/20us	V _C		15	V
	CPDF12V				25	
	CPDF24V				47	
Peak pulse power	CPDF5V0	T _P = 8/20us	P _{PP}		75	W
	CPDF12V				25	
	CPDF24V				47	
Operation temperature	CPDF Series		T _J		125	°C
Storage temperature	CPDF Series		T _{STG}	-55	150	°C

RATING AND CHARACTERISTIC CURVES (CPDF Series)

Fig. 1 - 8/20us Peak pulse current wave form acc. IEC 61000-4-5

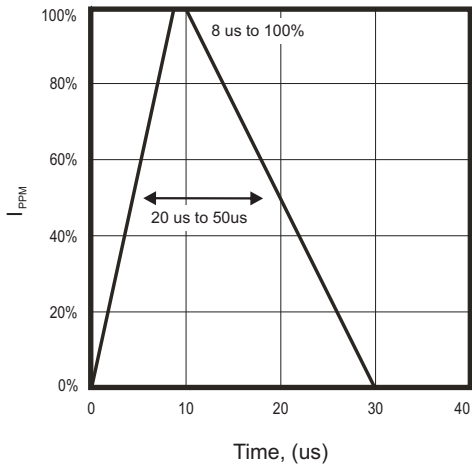


Fig. 2 - Reverse characteristics

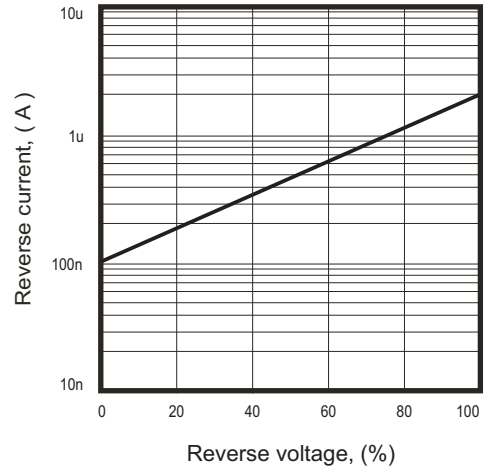


Fig. 3 - Capacitance between terminals characteristics

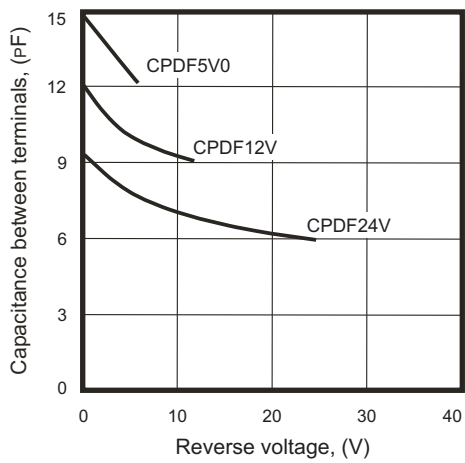
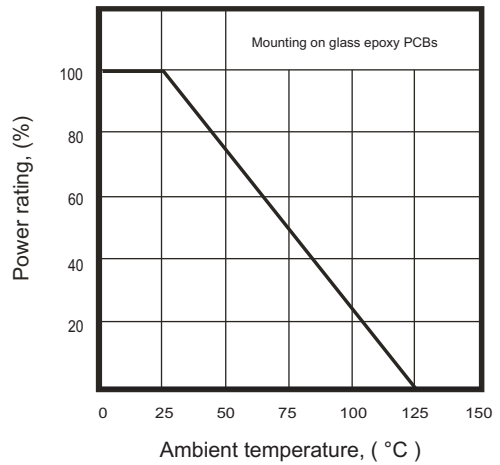
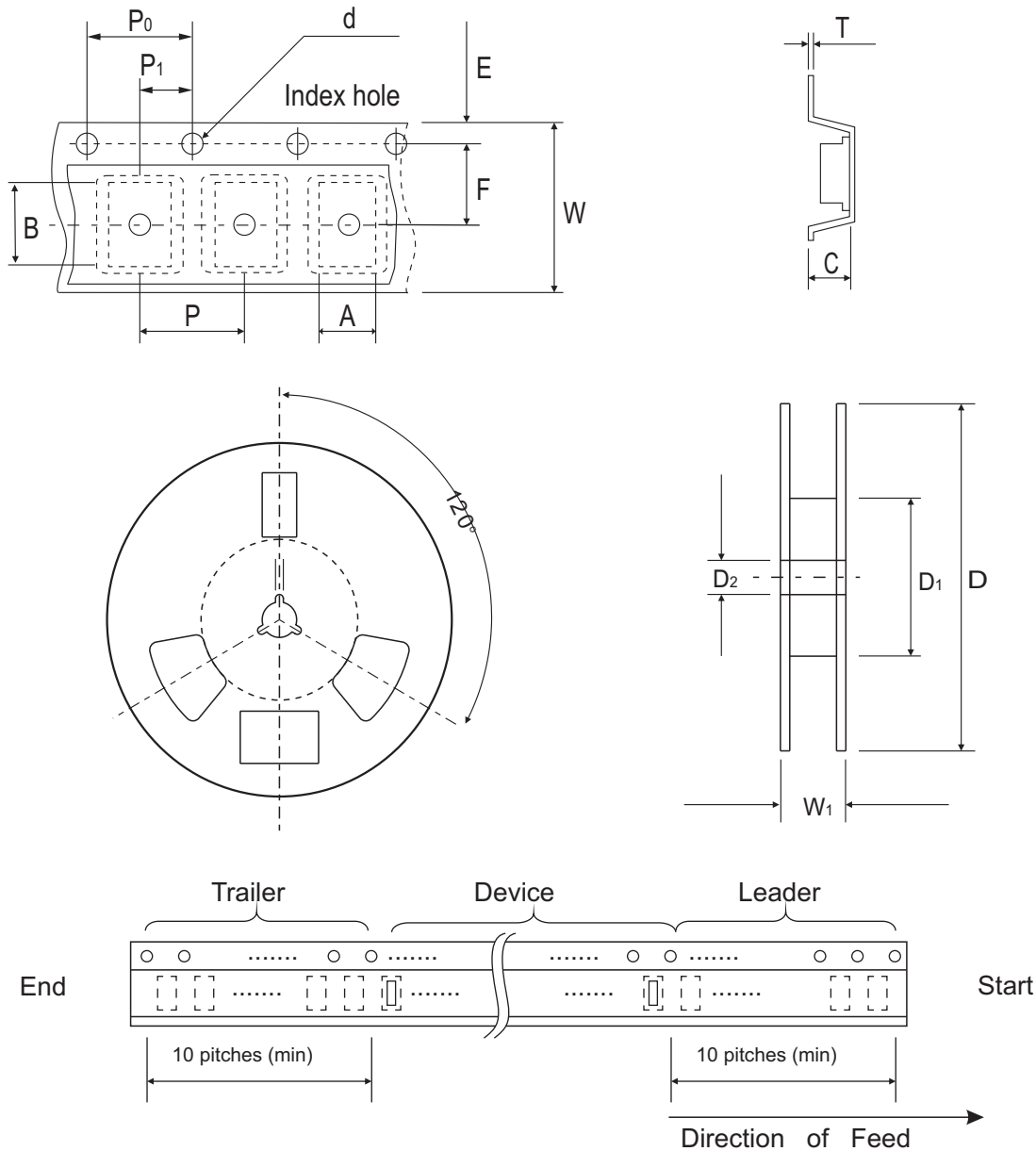


Fig. 4 - Power rating derating curve



Reel Taping Specification



1005 (SOD-323F)	SYMBOL	A	B	C	d	D	D ₁	D ₂
	(mm)	1.55 ± 0.10	2.65 ± 0.10	1.05 ± 0.10	1.55 ± 0.05	178 ± 1	60.0 MIN.	13.0 ± 0.20
	(inch)	0.061 ± 0.004	0.104 ± 0.004	0.041 ± 0.004	0.061 ± 0.002	7.008 ± 0.04	2.362 MIN.	0.512 ± 0.008

1005 (SOD-323F)	SYMBOL	E	F	P	P ₀	P ₁	T	W	W ₁
	(mm)	1.75 ± 0.10	3.50 ± 0.05	4.00 ± 0.10	4.00 ± 0.10	2.00 ± 0.05	0.23 ± 0.05	8.00 ± 0.20	13.5 MAX.
	(inch)	0.069 ± 0.004	0.138 ± 0.002	0.157 ± 0.004	0.157 ± 0.004	0.079 ± 0.004	0.009 ± 0.002	0.315 ± 0.008	0.531 MAX.

Marking Code

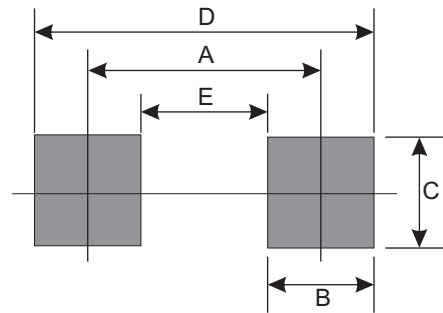
Part Number	Marking Code
CPDF5V0	E05
CPDF12V	E12
CPDF24V	E24



xxx = Product type marking code

Suggested PAD Layout

SIZE	1005/SOD-323F	
	(mm)	(inch)
A	2.10	0.083
B	1.20	0.047
C	1.20	0.047
D	3.30	0.130
E	0.90	0.035



Standard Packaging

Case Type	Qty Per Reel	Reel Size
	(Pcs)	(inch)
1005/SOD-323F	4,000	7