

# AN2537FHQ

Liquid crystal signal processing IC with built-in AV panel controller

## ■ Overview

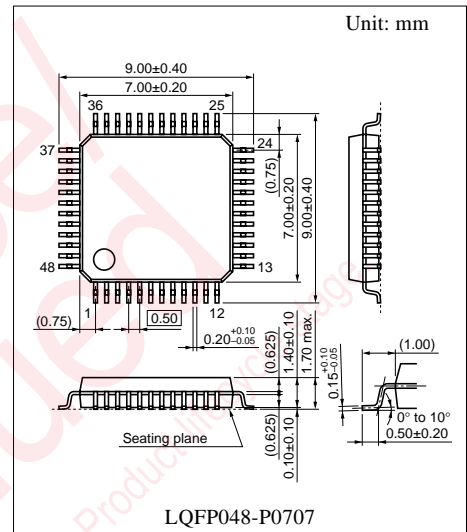
The AN2537FHQ is an IC for driving a color liquid crystal panel (480-dot COG). The RGB decoder function for color difference signal, driver function and timing generator for panel drive are integrated on a single chip. The circuits and components required for liquid crystal panel driving can be drastically reduced.

## ■ Features

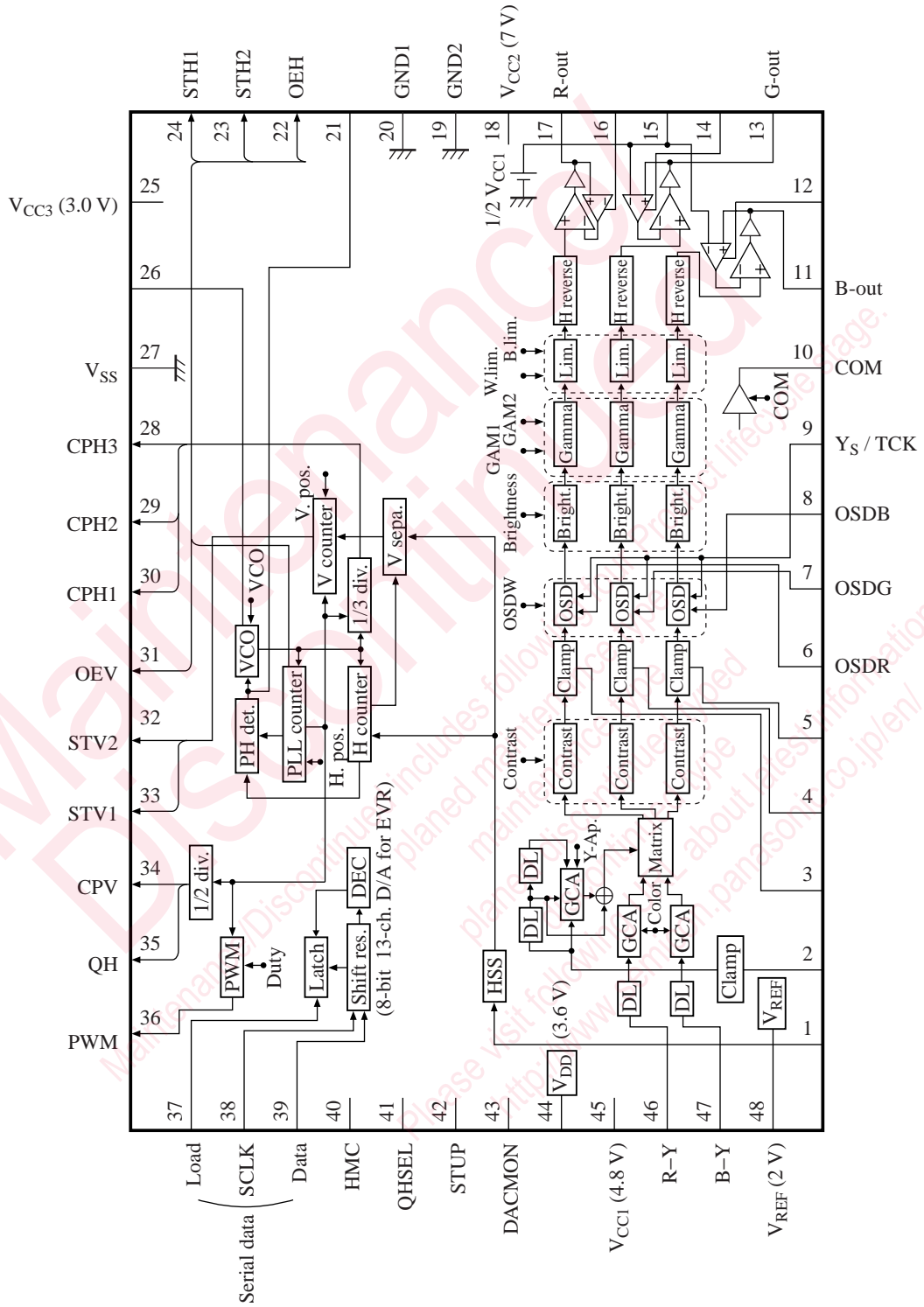
- Built-in serial interface circuit
- Built-in electronic volume (D/A converter)
- Built-in gamma correction circuit
- Serial adjustment function of horizontal display position and vertical display position
- Back light control pulse output

## ■ Applications

- Small-sized liquid crystal monitors, small-sized crystal projectors



■ Block Diagram



### ■ Pin Descriptions

Pin No.	Description	Pin No.	Description
1	Composite sync. signal input pin	25	V <sub>CC3</sub> (Power supply for panel drive pulse: 3 V)
2	Luminance signal input pin	26	VCO free-running frequency adjusting pin
3	R-ch. clamp pin	27	V <sub>SS</sub> (0 V)
4	G-ch. clamp pin	28	Horizontal shift clock 3 output pin
5	B-ch. clamp pin	29	Horizontal shift clock 2 output pin
6	R-ch. OSD signal input pin	30	Horizontal shift clock 1 output pin
7	G-ch. OSD signal input pin	31	Gate driver enable pulse output pin
8	B-ch. OSD signal input pin	32	Vertical display start pulse 2 output pin
9	OSD black signal control pulse input pin	33	Vertical display start pulse 1 output pin
10	Common signal output pin	34	Vertical shift clock output pin
11	B-ch. driver output pin	35	Arrangement changeover signal output pin
12	B-ch. driver feedback pin	36	Back light pulse output pin
13	G-ch. driver output pin	37	Serial data write pulse input pin
14	G-ch. driver feedback pin	38	Serial data shift clock input pin
15	Chroma signal output center voltage pin	39	Serial data input pin
16	R-ch. driver feedback pin	40	Screen right and left reversing control signal input pin
17	R-ch. driver output pin	41	Screen up side down control signal input pin
18	V <sub>CC2</sub> (Power supply for chroma driver: 7 V)	42	Control signal output inhibit control pin
19	GND2 (0 V)	43	DAC monitor pin
20	GND1 (0 V)	44	V <sub>DD</sub> (Power supply for internal Logic: 3.6 V)
21	Horizontal PLL loop filter connection pin	45	V <sub>CC1</sub> (Power supply for signal processing: 4.8 V)
22	Source driver enable pulse output pin	46	R-Y signal input pin
23	Horizontal display start pulse 2 output pin	47	B-Y signal input pin
24	Horizontal display start pulse 1 output pin	48	V <sub>REF</sub> (Internal reference voltage)

### ■ Absolute Maximum Ratings

Parameter	Symbol	Rating	Unit
Supply voltage	V <sub>CC1</sub>	5.5	V
	V <sub>CC2</sub>	8.5	
	V <sub>CC3</sub>	3.8	
Supply current	I <sub>CC</sub>	—	mA
Power dissipation *2	P <sub>D</sub>	249	mW
Operating ambient temperature *1	T <sub>opr</sub>	−20 to +70	°C
Storage temperature *1	T <sub>stg</sub>	−55 to +125	°C

Note) \*1: Except for the power dissipation, operating ambient temperature, and storage temperature, all ratings are for T<sub>a</sub> = 25°C.

\*2: The power dissipation shall be at operating ambient temperature T<sub>a</sub> = 70°C.

### ■ Recommended Operating Range

Parameter	Symbol	Range	Unit
Supply voltage	V <sub>CC1</sub>	4.5 to 5.1	V
	V <sub>CC2</sub>	6.0 to 8.0	
	V <sub>CC3</sub>	2.7 to 3.6	
Y input signal voltage (Pedestal to white)	Y <sub>IN</sub>	0.5 to 0.7(typ.) to 1.0	V[p-p]
R–Y input signal	RY <sub>IN</sub>	150 to 190 (typ.) to 230	mV[p-p]
B–Y input signal	BY <sub>IN</sub>	190 to 240 (typ.) to 290	mV[p-p]
Sync. signal input (Pedestal to sync. chip)	H <sub>SYNC</sub>	0.08 to 0.286 (typ.)	V[p-p]
Serial data transfer frequency	f <sub>SD</sub>	1.0 (max.)	MHz
MOS input signal low-level voltage	V <sub>MOSL</sub>	0 to 0.8	V
MOS input signal high-level voltage	V <sub>MOSH</sub>	2.8 to lower than V <sub>CC1</sub> (pin 45)	V

## ■ Electrical Characteristics at $T_a = 25^\circ\text{C}$

### 1. DC characteristics

Parameter	Symbol	Conditions	Min	Typ	Max	Unit
Circuit current 1	$I_{CC1}$	$V_{CC1} = 4.8 \text{ V}, V_{CC2} = 7 \text{ V}$	15.4	—	30.6	mA
Circuit current 2	$I_{CC2}$	$V_{CC1} = 4.8 \text{ V}, V_{CC2} = 7 \text{ V}$	2.89	—	6.81	mA
Circuit current 3	$I_{CC3}$	$V_{CC3} = 3 \text{ V}$	—	—	1.0	mA

### 2. AC characteristics

Parameter	Symbol	Conditions	Min	Typ	Max	Unit
<b>Chroma block</b>						
Sharpness control characteristics	$G_{SH}$	SG1, CH5 = "FF"/"02"	7.6	—	—	dB
Sharpness frequency characteristics	$f_{SH}$	SG1, CH5 = "80", $f = 2 \text{ MHz}/100 \text{ kHz}$	3.3	—	—	dB
Contrast adjustment range 1	$G_{CONT1}$	SG3, CH10 = "FF"/"80"	3.0	4.0	—	dB
Contrast adjustment range 2	$G_{CONT2}$	SG3, CH10 = "00"/"80"	—	—	-5.8	dB
R-ch./G-ch. relative amplitude	$V_{RG}$	SG3	-0.3	0.0	+0.3	V[p-p]
B-ch./G-ch. relative amplitude	$V_{BG}$	SG3	-0.3	0.0	+0.3	V[p-p]
R, G, B output pedestal amplitude min.	$V_{PEDmin}$	CH15 = "FF", (A): SG3	—	—	-1.3	V[p-p]
R,G,B output pedestal amplitude max.	$V_{PEDmax}$	CH15 = "00", (A): SG3	3.6	—	—	V[p-p]
R,G,B output DC voltage	$V_{ODC}$	SG3	2.18	2.4	2.62	V
Gamma 1 characteristics 1	$V_{GAM11}$	SG3	-5.7	-3.0	-0.3	dB
Gamma 1 characteristics 2	$V_{GAM12}$	SG3	-8.2	—	—	dB
Gamma 1 characteristics 3	$V_{GAM13}$	SG3	-3.7	—	—	dB
OSD white level min.	$V_{WHmin}$	SG3, CH4 = "00"	—	—	2 600	mV[p-p]
OSD white level max.	$V_{WHmax}$	SG3, CH4 = "FF"	90	—	—	mV[p-p]
OSD black level	$V_{BL}$	SG2	-0.52	—	0.22	V
Black limiter level min.	$V_{LIMBL}$	SG2, CH9 = "FF"	3.7	—	—	V[p-p]
Black limiter level max.	$V_{LIMBH}$	SG2, CH9 = "00"	—	—	3.3	V[p-p]
White limiter level min.	$V_{LIMWL}$	SG2, CH11 = "00"	1.48	—	—	V[p-p]
White limiter level max.	$V_{LIMWH}$	SG2, CH11 = "FF"	—	—	4.3	V[p-p]
R-Y typical gain	$G_{RY}$	(C): SG4	22.0	—	32.0	dB
B-Y typical gain	$G_{BY}$	(B): SG4	22.0	—	32.0	dB
R-Y/G-Y relative gain	$G_{RYGY}$	(C): SG4	-2.0	0.0	+2.0	dB
B-Y/G-Y relative gain	$G_{BYGY}$	(B): SG4	-2.0	0.0	+2.0	dB
Common amplitude level min.	$V_{COML}$	CH14 = "00"	—	—	0.1	V[p-p]
Common amplitude level max.	$V_{COMH}$	CH14 = "FF"	3.4	—	—	V[p-p]

■ Electrical Characteristics at  $T_a = 25^\circ\text{C}$  (continued)

2. AC characteristics (continued)

Parameter	Symbol	Conditions	Min	Typ	Max	Unit
Logic block						
LCD drive pulse output level low	$V_{OL}$		—	—	0.6	V
LCD drive pulse output level high	$V_{OH}$		2.4	—	—	V
CMOS block input level low	$V_{THL}$		—	—	1.1	V
CMOS block input level high	$V_{THH}$		2.9	—	—	V
Horizontal sync. pull-in range low	$P_{RHDL}$	SG2 ( $Y_S = 300\text{ mV}$ , $Y_Y = 0\text{ mV}$ )	—	—	-1.0	kHz
Horizontal sync. pull-in range high	$P_{RHDL}$	SG2 ( $Y_S = 300\text{ mV}$ , $Y_Y = 0\text{ mV}$ )	1.0	—	—	kHz
Clock driver						
Note) The characteristics listed below are theoretical values based on the IC design and are not guaranteed.						
Horizontal clock rise time (CPHn, /CPHn)	$t_{r1}$	n: 1 to 3	—	—	50	ns
Horizontal clock fall time (CPHn, /CPHn)	$t_{f1}$	n: 1 to 3	—	—	50	ns
Phase error between horizontal clocks (CPHn, /CPHn)	$t_{d1}$	n: 1 to 3	-20	—	+20	ns
STH 1, STH2 rise time	$t_{r2}$		—	—	50	ns
STH 1, STH2 fall time	$t_{f2}$		—	—	50	ns
CPH1, /CPH1, STH1, STH2 rise and fall error	$t_{d2}$		-50	—	+50	ns
Vertical clock rise time (CPV)	$t_{r3}$		—	—	50	ns
Vertical clock fall time (CPV)	$t_{f3}$		—	—	50	ns
STV1, STV2 rise time	$t_{r4}$		—	—	50	ns
STV1, STV2 fall time	$t_{f4}$		—	—	50	ns
CPV, STV1, STV2 rise and fall error	$t_{d4}$		-50	—	50	ns

### ■ Electrical Characteristics at $T_a = 25^\circ\text{C}$ (continued)

#### 3. Operation timing

##### 1) Horizontal-system output timing

Parameter		NTSC	Unit
Horizontal line period *1	H	63.5 202	$\mu\text{s}$ FY
Video effective period *1	$t_{\text{Hy}}$	52.7	$\mu\text{s}$
Horizontal flyback period *1	$t_{\text{Hr}}$	10.9	$\mu\text{s}$
Video display effective picture element (on panel)	$t_{\text{Hv}}$	480 50.2	dot $\mu\text{s}$
Horizontal display ratio ( $t_{\text{Hv}}/t_{\text{Hy}}$ ) *1	$R_{\text{H}}$	95.3	%
Horizontal frequency dividing ratio (1H)	$N_{\text{H}}$	202	
VCO oscillation frequency *1	$f_{\text{VCO}}$	19.07	MHz
Clock frequency *1	$f_{\text{FY}}$	3.18	MHz
STH rise	TSTH	Serial variable range 17 to 49	FY
STH pulse width	TwSTH	1.0	FY
CPH1, CPH2, CPH3 clock period	TCPH	1.0	FY
CPH1, CPH2, CPH3 pulse width	$t_{\text{wCPH}}$	0.5	$\mu\text{s}$
FRP polarity reverse position	TFRP	7 (2.2)	FY( $\mu\text{s}$ )
OEV pulse width	TwOEV	3 (0.9)	FY( $\mu\text{s}$ )

Note) \*1: The reference values on liquid crystal panel display, not guaranteed values.

The signal name in ( ) indicates the internal signal name.

##### 2) Vertical-system output timing

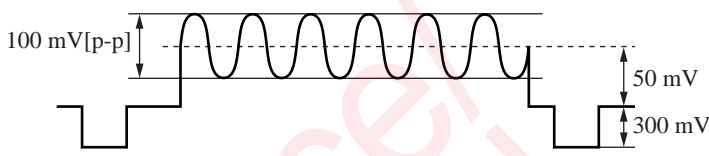
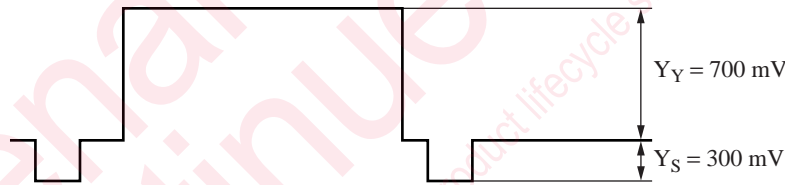
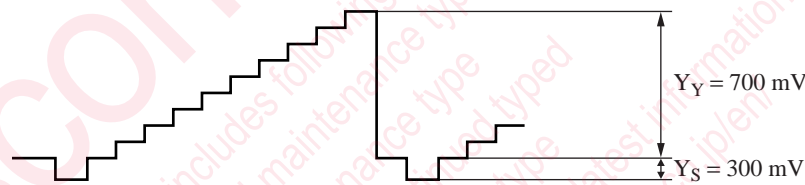
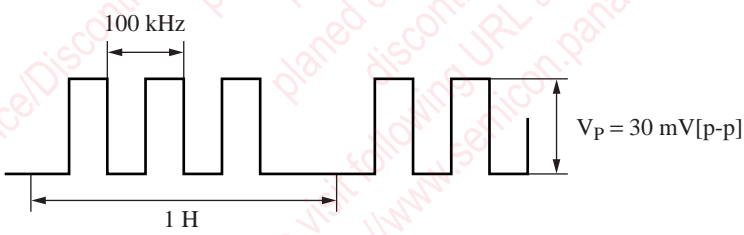
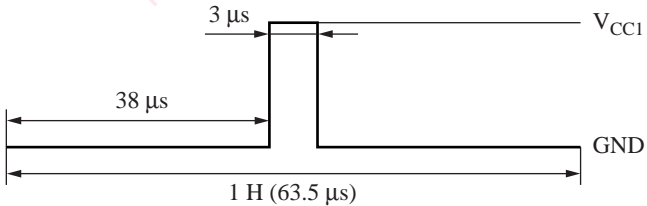
Parameter		NTSC	Unit
Vertical line period *1	V	262.5	H
Video effective period *1	$t_{\text{Hy}}$	242.5	H
Vertical display section *1	$t_{\text{Hv}}$	234	H
Vertical display ratio ( $t_{\text{Hv}}/t_{\text{Hy}}$ ) *1	$R_{\text{V}}$	96.5	%
(V-sync. fall position : Odd number : Even number)	TVS	1.0 0.5/1.5	H
(V-sync. pulse width)	TwVS	1.0	H
STV rise	TSTV	Serial variable range 7 to 23	H
STV pulse width	TwSTV	1.0	H
CPV clock period	TCPV	1.0	H
CPV pulse width	TwCPV	30 (9.28)	H

Note) \*1: The reference values on liquid crystal panel display, not guaranteed values.

The signal name in ( ) indicates the internal signal name.

■ Test Circuits

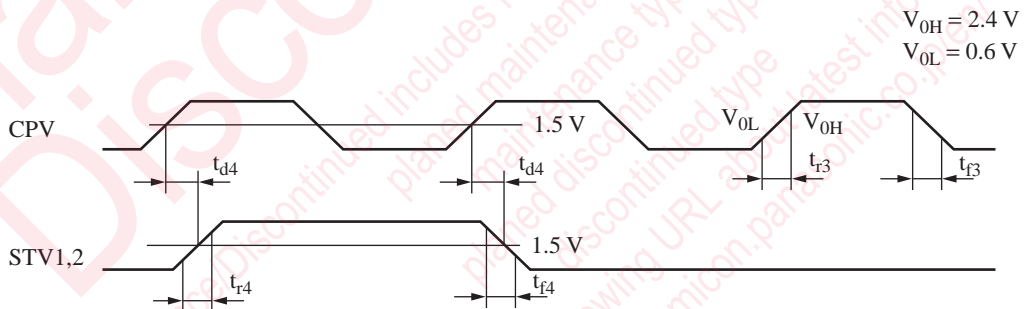
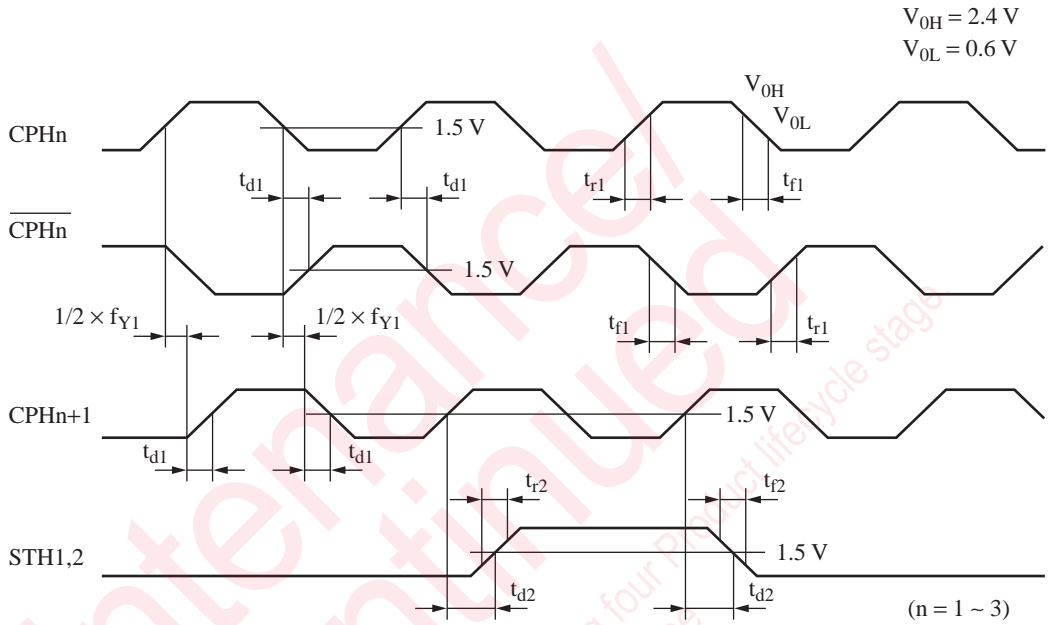
1. Signal waveforms for inspection

Signal name	Signal waveform
<p>SG1 (sine wave video signal)</p>	
<p>SG2 (white signal)</p>	
<p>SG3 (10-step staircase)</p>	
<p>SG4 (Color difference quasi-signal)</p>	
<p>SG5 (OSD signal)</p>	



■ Test Circuits (continued)

2. AC characteristics Clock driver output



■ Terminal Equivalent Circuits

PinNo.	Equivalent circuit	Description	Signal waveform
1		<p>Sync.:</p> <p>C. Sync. input pin Sync. signal is separated from luminance signal.</p>	
2		<p>Y-in:</p> <p>Luminance signal input pin</p>	
3		<p>RHC:</p> <p>Connection pin for an R-ch. signal clamp capacitor</p>	<p>DC</p>
4		<p>GHC:</p> <p>Connection pin for a G-ch. signal clamp capacitor</p>	<p>DC</p>

■ Terminal Equivalent Circuits (continued)

PinNo.	Equivalent circuit	Description	Signal waveform
5	<p>Pin 45 (V<sub>CC1</sub>)</p> <p>Pin 20 (GND)</p>	<p><b>BHC:</b></p> <p>Connection pin for a B-ch. signal clamp capacitor</p>	DC
6	<p>Pin 44 (V<sub>DD</sub>)</p> <p>Pin 27 (V<sub>SS</sub>)</p>	<p><b>OSDR:</b></p> <p>R-ch. OSD white signal input CMOS input (50 kΩ pull-down)</p>	
7	<p>Pin 44 (V<sub>DD</sub>)</p> <p>Pin 27 (V<sub>SS</sub>)</p>	<p><b>OSDG:</b></p> <p>G-ch. OSD white signal input CMOS input (50 kΩ pull-down)</p>	
8	<p>Pin 44 (V<sub>DD</sub>)</p> <p>Pin 27 (V<sub>SS</sub>)</p>	<p><b>OSDB:</b></p> <p>B-ch. OSD white signal input CMOS input (50 kΩ pull-down)</p>	
9	<p>Pin 44 (V<sub>DD</sub>)</p> <p>Pin 27 (V<sub>SS</sub>)</p>	<p><b>Y<sub>s</sub> / TCK:</b></p> <p>OSD black signal input CMOS input (50 kΩ pull-down)</p>	

■ Terminal Equivalent Circuits (continued)

PinNo.	Equivalent circuit	Description	Signal waveform
10		<p>COM:</p> <p>Common drive pulse</p> <p>Output pin</p>	
11		<p>B-out:</p> <p>B signal output pin</p> <p><math>Z_o = \text{approx. } 70 \Omega</math></p>	
12		<p>B-det.:</p> <p>Pin for connecting a capacitor for B signal output DC feedback</p>	
13		<p>G-out:</p> <p>G signal output pin</p> <p><math>Z_o = \text{approx. } 70 \Omega</math></p>	
14		<p>G-det.:</p> <p>Pin for connecting a capacitor for G signal output DC feedback</p>	

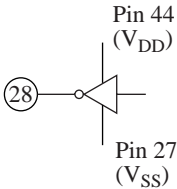
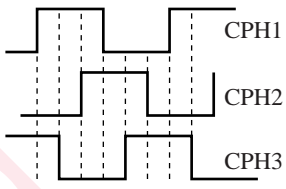
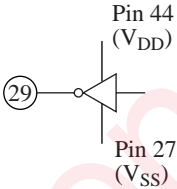
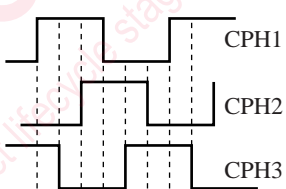
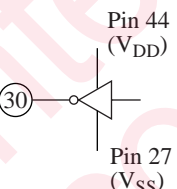
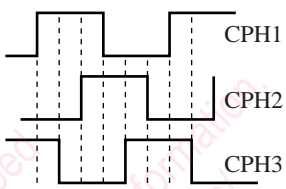
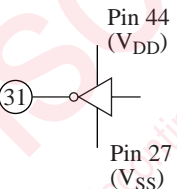
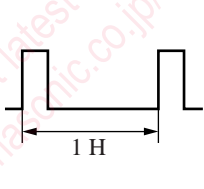
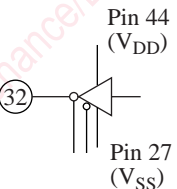
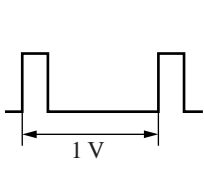
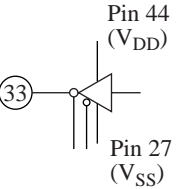
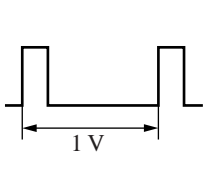
■ Terminal Equivalent Circuits (continued)

PinNo.	Equivalent circuit	Description	Signal waveform
15	<p>Pin 45 (V<sub>CC1</sub>)</p> <p>Pin 20 (GND)</p>	<p>V-center:</p> <p>Chroma signal output center voltage pin</p>	<p><math>\frac{1}{2} V_{CC1}</math></p>
16	<p>Pin 18 (V<sub>CC2</sub>)</p> <p>Pin 19 (GND)</p>	<p>R-det.:</p> <p>Pin for connecting a capacitor for R signal output DC feedback</p>	<p><math>\frac{1}{2} V_{CC1}</math></p>
17	<p>Pin 18 (V<sub>CC2</sub>)</p> <p>Pin 19 (GND)</p>	<p>R-out:</p> <p>R signal output pin</p> <p>Z<sub>O</sub> = approx. 70 Ω</p>	<p><math>\frac{1}{2} V_{CC1}</math></p>
18	—	<p>V<sub>CC2</sub>:</p> <p>Power supply pin (7 V) for chroma signal driver</p> <p>Supply current: 4.4 mA typ.</p>	—
19	—	<p>GND2:</p> <p>Grounding pin (0 V) for chroma signal driver system</p>	—
20	—	<p>GND1:</p> <p>Grounding pin (0 V) for chroma signal processing system</p>	—

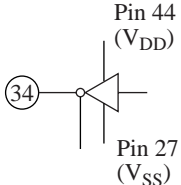
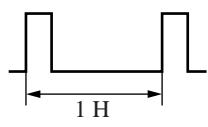
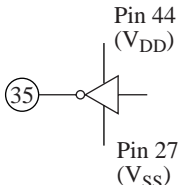
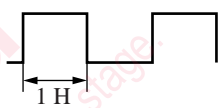
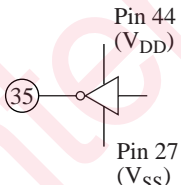
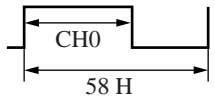
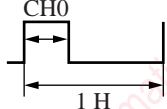
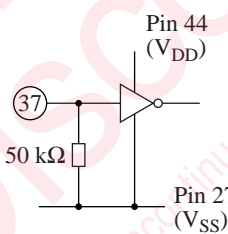

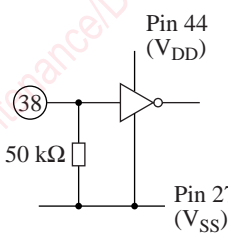
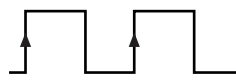
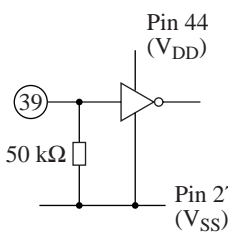

■ Terminal Equivalent Circuits (continued)

PinNo.	Equivalent circuit	Description	Signal waveform
21		<p>AFC:</p> <p>Horizontal AFC loop filter connection pin</p>	DC
22		<p>OEH:</p> <p>Horizontal driver enable pulse output pin CMOS output</p>	
23		<p>STH2:</p> <p>Horizontal display start pulse 2 output pin TInv output</p>	
24		<p>STH1</p> <p>Horizontal display start pulse 1 output pin TInv output</p>	
25	—	<p>V<sub>CC3</sub></p> <p>Power supply pin for clock driver 3 V typ.</p>	—
26		<p>f<sub>o</sub></p> <p>VCO free-running adjustment pin Pin voltage fluctuates with CH3 data value</p>	DC

■ Terminal Equivalent Circuits (continued)

PinNo.	Equivalent circuit	Description	Signal waveform
27	—	V <sub>SS</sub> Logic block grounding pin (0 V)	—
28		CPH3  Horizontal shift clock 3 output pin CMOS output	
29		CPH2  Horizontal shift clock 2 output pin CMOS output	
30		CPH1  Horizontal shift clock 1 output pin CMOS output	
31		OEV  Gate driver enable pulse output pin CMOS output	
32		STV2  Vertical display start pulse 2 output pin TInv output	
33		STV1  Vertical display start pulse 1 output pin TInv output	

### ■ Terminal Equivalent Circuits (continued)

PinNo.	Equivalent circuit	Description	Signal waveform
34	 <p>Pin 44 (V<sub>DD</sub>)</p> <p>Pin 27 (V<sub>SS</sub>)</p>	<p>CPV</p> <p>Vertical shift clock output pin</p> <p>TInv output</p>	 <p>1 H</p>
35	 <p>Pin 44 (V<sub>DD</sub>)</p> <p>Pin 27 (V<sub>SS</sub>)</p>	<p>QH</p> <p>Arrangement changeover signal output pin</p> <p>CMOS output</p>	 <p>1 H</p>
36	 <p>Pin 44 (V<sub>DD</sub>)</p> <p>Pin 27 (V<sub>SS</sub>)</p>	<p>PWM</p> <p>Back light pulse output pin</p> <p>CMOS output</p>	<p>PWM mode</p>  <p>CH0</p> <p>58 H</p> <p>Back light pulse mode</p>  <p>CH0</p> <p>1 H</p>
37	 <p>Pin 44 (V<sub>DD</sub>)</p> <p>50 kΩ</p> <p>Pin 27 (V<sub>SS</sub>)</p>	<p>Load</p> <p>Serial data write pulse input pin</p> <p>CMOS input (50 kΩ pull-down)</p>	
38	 <p>Pin 44 (V<sub>DD</sub>)</p> <p>50 kΩ</p> <p>Pin 27 (V<sub>SS</sub>)</p>	<p>SCLK</p> <p>Serial data Shift clock input pin</p> <p>CMOS input (50 kΩ pull-down)</p>	
39	 <p>Pin 44 (V<sub>DD</sub>)</p> <p>50 kΩ</p> <p>Pin 27 (V<sub>SS</sub>)</p>	<p>Data</p> <p>Serial data Data input pin</p> <p>CMOS input (50 kΩ pull-down)</p>	



■ Terminal Equivalent Circuits (continued)

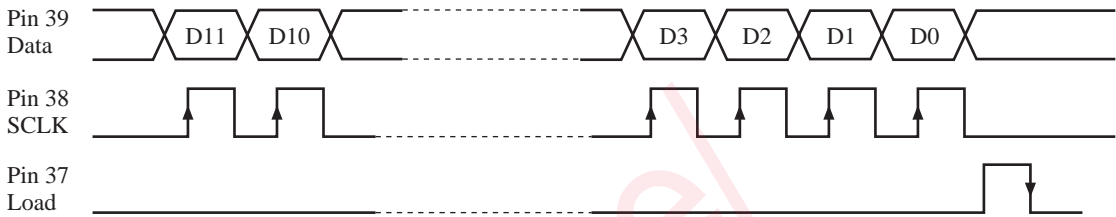
PinNo.	Equivalent circuit	Description	Signal waveform
40		<p>HMC</p> <p>Right and left reversing control signal input pin CMOS input (50 kΩ pull-up)</p>	High or Low
41		<p>QHSEL</p> <p>Upper and lower reversing control signal input pin CMOS input (50 kΩ pull-up)</p>	High or Low
42		<p>STUP</p> <p>Control signal output inhibit control pin</p>	
43		<p>DACMON</p> <p>DAC output voltage monitor pin</p>	—
44		<p>V<sub>DD</sub></p> <p>Power generating circuit for internal logic processing Bypass capacitor connection pin</p>	DC: 3.6 V
45	—	<p>V<sub>CC1</sub></p> <p>Power supply pin (4.8 V) for chroma signal processing Supply current 21 mA typ.</p>	—

■ Terminal Equivalent Circuits (continued)

PinNo.	Equivalent circuit	Description	Signal waveform
46		<p>R-Y</p> <p>Input R-Y signal</p>	<p>Input waveform</p> <p>190 mV[p-p]</p>
47		<p>B-Y</p> <p>Input B-Y signal</p>	<p>Input waveform</p> <p>240 mV[p-p]</p>
48		<p><math>V_{REF}</math></p> <p>Reference voltage circuit for chroma signal processing</p> <p>Bypass capacitor connection pin</p>	<p>DC: 2 V</p>

## ■ Technical Information

### 1. Serial data input timing chart



The shift data clock should be entered at a frequency of 1 MHz or less.

### 2. Serial data format

MSB

D11	D10	D9	D8	D7	D6	D5	D4	D3	D2	D1	D0
-----	-----	----	----	----	----	----	----	----	----	----	----

D0 to D7: Data part (EVR control bit)

D8 to D11: Data part (EVR selection bit)

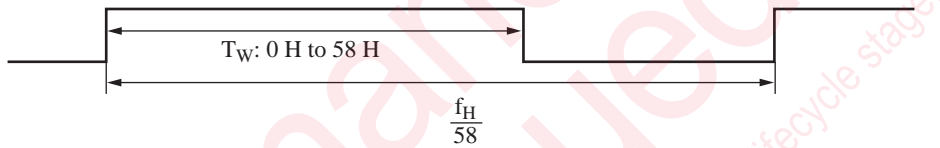
D8	D9	D10	D11	Selection ch.	EVR control function
0	0	0	0	0	Back light pulse
0	0	0	1	1	Horizontal display position
0	0	1	0	2	Vertical display position
0	0	1	1	3	VCO free-running
0	1	0	0	4	OSD white level
0	1	0	1	5	Aperture (Note: The data part should be used within the range of "02" to "FF".)
0	1	1	0	6	Color gain
0	1	1	1	7	Gamma 1-knee level
1	0	0	0	8	Gamma 2-knee level
1	0	0	1	9	Black limiter
1	0	1	0	10	Contrast
1	0	1	1	11	White peak limiter
1	1	0	0	12	R-ch. sub-brightness
1	1	0	1	13	B-ch. sub-brightness
1	1	1	0	14	Common amplitude
1	1	1	1	15	Brightness

■ Technical Information (continued)

3. CH0: Back light pulse width

D11	D10	D9	D8	D7	D6	D5	D4	D3	D2	D1	D0
				NTEST0	CPWM	BL5	BL4	BL3	BL2	BL1	BL0
0	0	0	0		0	PWM output					
					1	Back light pulse output					
				0	Inspection mode						
				1	Normal using mode						

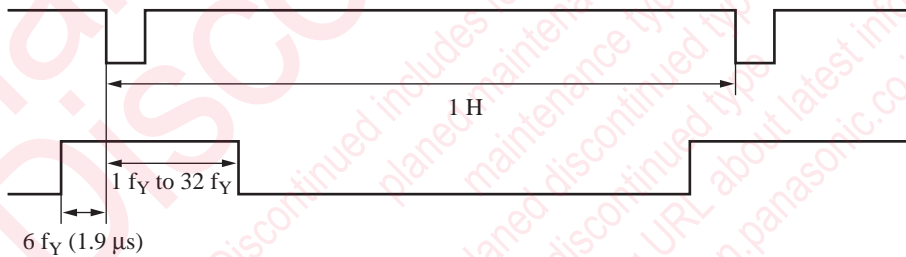
1) D6 = "0": PWM mode



The adjustment characteristic becomes a discontinuity near max. duty cycle.

- (D5, D4, D3, D2, D1, D0) = (000000):  $t_w = 1 H$
- (110111):  $t_w = 56 H$
- (111000):  $t_w = 0 H$
- (111001) to (111111) :  $t_w = 58 H$

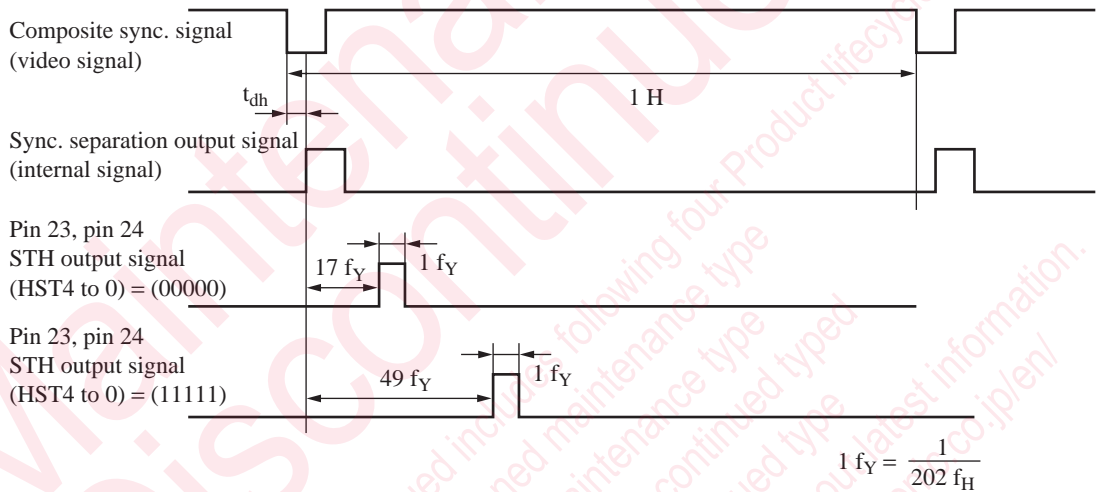
2) D6 = "1": Back light pulse mode



■ Technical Information (continued)

4. CH1: Horizontal display position adjustment

D11	D10	D9	D8	D7	D6	D5	D4	D3	D2	D1	D0
				DCST	NOSHIFT	CPHSEL	HST4	HST3	HST2	HST1	HST0
1	0	0	0			0	Half shift normal				
						1	Half shift reverse (odd number / even number line)				
						0	Half shift present				
						1	Half shift not present				
				0	Controller stop mode						
				1	Normal using mode						



The STH signal output adjustment range has been designed using the composite sync. signal input to pin 1 (horizontal sync. signal) as the reference point. The delay time of the video signal and the sync. separation output ( $t_{dh}$ ) varies slightly depending on the constant of external filter to be attached to the sync. signal input block.

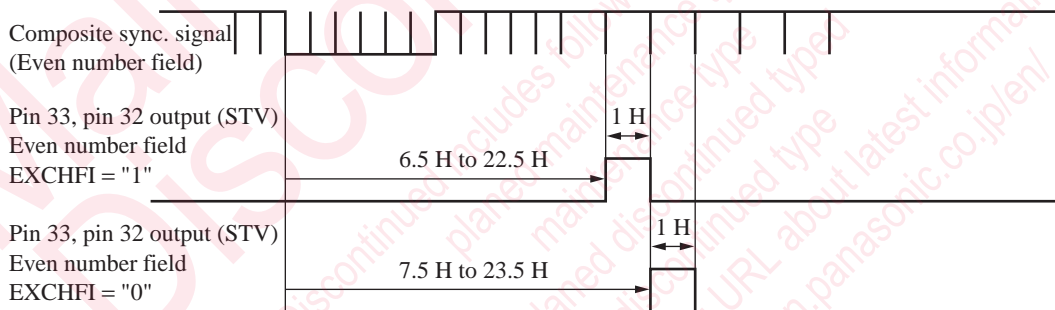
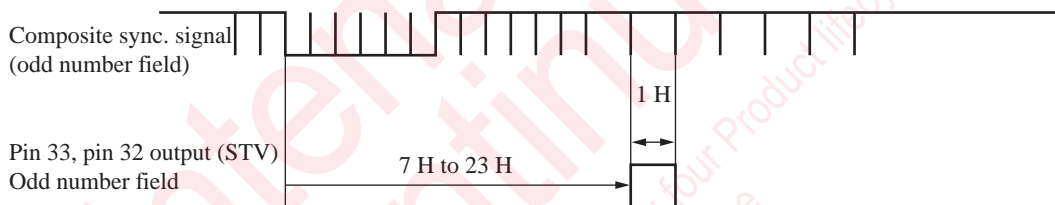
About the external constant, it is necessary to determine it after evaluating the characteristics for the special play back mode.

Note) In the case of serial variable of STH, the left side of the rear edges of CPV and OEH are interlocked with these rear edges.

## ■ Technical Information (continued)

### 5. CH2: Vertical display position adjustment

D11	D10	D9	D8	D7	D6	D5	D4	D3	D2	D1	D0
				NHST	EXCHFI	CFRP	QMODE	VST3	VST2	VST1	VST0
0	1	0	0				0	Normal operation			
							1	QH polarity reverse			
							0	Normal operation			
							1	Internal POL polarity reverse			
							0	Even number field phase advance			
							1	Odd number field phase advance			
							0	H reverse inhibit mode			
							1	Normal operation			



The controller output gives the following output of fixed potential in the case of D6 (CST) = "0" or pin 42 is "L".

Output voltage(V)	Pin name
"H"(V <sub>CC3</sub> )	OEV
"L"(GND)	CPH1, CPH2, CPH3, STH1(STH2), STV1(STV2), CPV, QEH, QH

Noes) 1: In the case of serial variation of STV, it changes by 2H for only between D3 to D0 = 0000 and D3 to D0 = 0001.

2: The selection of EXCHFI = "1" / "0" in STV is fixed at "0".

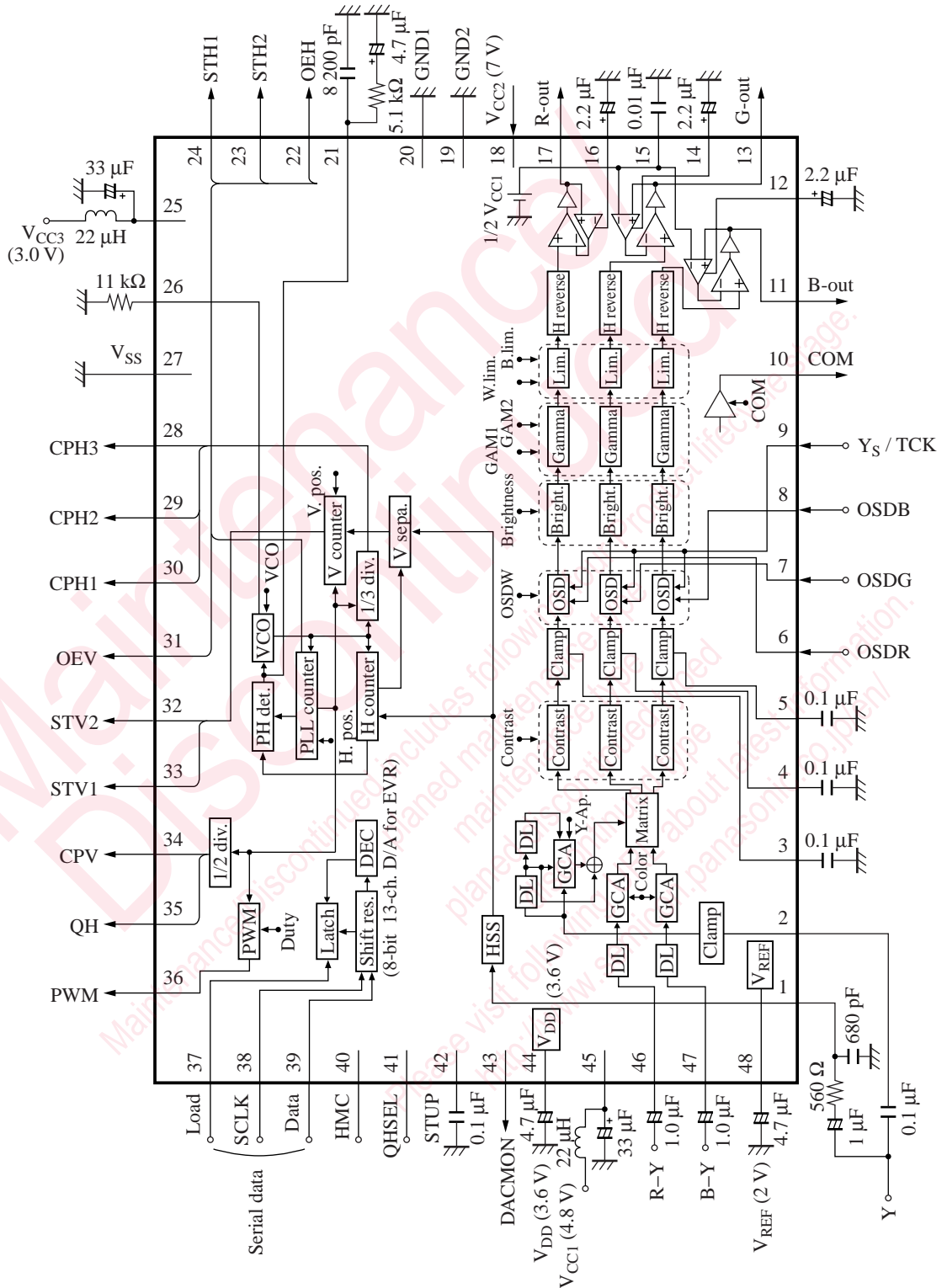
## ■ Usage Notes

- Give consideration so as to provide the supply voltage to pin 18, pin 25 and pin 45 simultaneously.
- Be careful because the following pins are weak against surge voltage.

Pin 9 surge voltage: +200 V  
-200 V

Pin 17 surge voltage: +180 V  
-180 V

■ Application Circuit Example



Note) The above values are the typical values, so that it is necessary to give a consideration to the relation with set equipment at setting.

## Request for your special attention and precautions in using the technical information and semiconductors described in this book

- (1) If any of the products or technical information described in this book is to be exported or provided to non-residents, the laws and regulations of the exporting country, especially, those with regard to security export control, must be observed.
- (2) The technical information described in this book is intended only to show the main characteristics and application circuit examples of the products, and no license is granted under any intellectual property right or other right owned by our company or any other company. Therefore, no responsibility is assumed by our company as to the infringement upon any such right owned by any other company which may arise as a result of the use of technical information described in this book.
- (3) The products described in this book are intended to be used for standard applications or general electronic equipment (such as office equipment, communications equipment, measuring instruments and household appliances).  
Consult our sales staff in advance for information on the following applications:
  - Special applications (such as for airplanes, aerospace, automobiles, traffic control equipment, combustion equipment, life support systems and safety devices) in which exceptional quality and reliability are required, or if the failure or malfunction of the products may directly jeopardize life or harm the human body.
  - Any applications other than the standard applications intended.
- (4) The products and product specifications described in this book are subject to change without notice for modification and/or improvement. At the final stage of your design, purchasing, or use of the products, therefore, ask for the most up-to-date Product Standards in advance to make sure that the latest specifications satisfy your requirements.
- (5) When designing your equipment, comply with the range of absolute maximum rating and the guaranteed operating conditions (operating power supply voltage and operating environment etc.). Especially, please be careful not to exceed the range of absolute maximum rating on the transient state, such as power-on, power-off and mode-switching. Otherwise, we will not be liable for any defect which may arise later in your equipment.
  - Even when the products are used within the guaranteed values, take into the consideration of incidence of break down and failure mode, possible to occur to semiconductor products. Measures on the systems such as redundant design, arresting the spread of fire or preventing glitch are recommended in order to prevent physical injury, fire, social damages, for example, by using the products.
- (6) Comply with the instructions for use in order to prevent breakdown and characteristics change due to external factors (ESD, EOS, thermal stress and mechanical stress) at the time of handling, mounting or at customer's process. When using products for which damp-proof packing is required, satisfy the conditions, such as shelf life and the elapsed time since first opening the packages.
- (7) This book may be not reprinted or reproduced whether wholly or partially, without the prior written permission of Matsushita Electric Industrial Co., Ltd.