

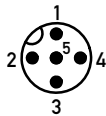
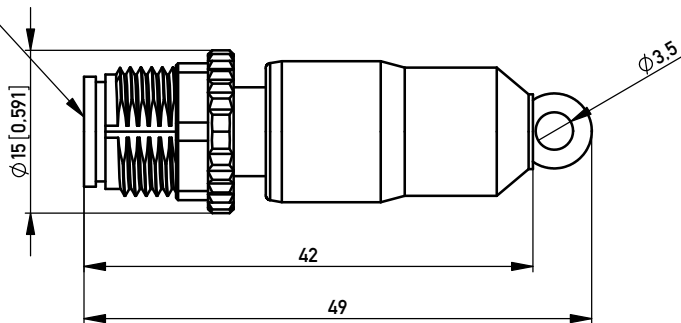
## BAUTEILE / FERTIGUNGSHINWEISE Piece parts / Manufacturing notices

- Aufdruck mittels Tampondruck entspr. techn. Skizze  
Imprint see technical sketch
- Gute Chemikalien- und Ölbeständigkeit. Beim Einsatz aggressiver Medien ist die Materialbeständigkeit applikationsbezogen zu überprüfen.  
Good chemical and oil resistance. When using aggressive media, material resistance based on application must be checked.
- Verpackung: 1 Stück in PE-Beutel; ERNI-Etikett (Nr. 254792)  
Packaging: 1 piece per bag (PE); ERNI label (refer to No. 254792)

### TECHNISCHE SKIZZE / Technical sketch

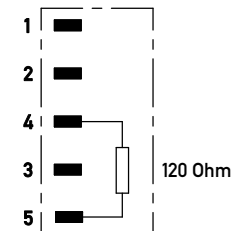
Isolierkörper grün zulässig  
insulation body green allowed

Stecker M12 / M12 male  
5-polig / 5 pin



Ansicht: Steckgesicht; Kontaktbelegung /  
View: mating face; pin assignment

### STROMLAUFPLAN / Schematic diagram



## SPECIFICATIONS Circular Connector

Technical Specifications	Standard applic.	Value	Electrical Data	Standard applic.	Value
Type:		CAN Termination M12 male - black	Rated (nominal) voltage; max.	IEC 61-076-2-101	24 V AC/DC
Pin assignment:		5 pin	Rated current; per contact, max.	IEC 61-076-2-101	4 A
Coding:		A-coding	Rated impulse voltage	IEC 61-076-2-101	0,8 kV
Connection:		Screw locking M12x1 (0,6 Nm) / M8x1 (0,4 Nm)	<b>Approvals</b>		
Temperature range:		-25...+85°C	Protection class	(mated and locked) IEC 60529	IP67
Packaging:		1 piece per bag	Pollution degree		3
<b>Materials &amp; Finish</b>			Insulation category	IEC 60664-1	1
Contact material:			RoHS compliant		Yes
a) male	Standard description	CuZn39Pb3F50	<b>Part Marking</b>		
Contact finish, mating zone:			Part number		required
a) male	Thickness of plating	0,5 µm Au over 2 µm Ni	Company Logo		required
Insulation material:	Standard description	Elastollan R 3000 A	Date of manufacturing		required
			RoHS compliant		N/A

Artikel-Nr. / Part No.

**CAN/DeviceNet 394888**

Copyright by ERNI GmbH. Proprietary notice pursuant to ISO 14016 to be observed.

Information:	Tolerances	All Dimensions in mm	Scale 2:1
All rights reserved. Only for Information. To ensure that this is the latest version of this drawing, please contact one of the ERNI companies before using.	Subject to modification without prior notice. Drawing will not be updated.	Designation without CCTERM M12, 5 pin A-codiert	
www.ERNI.com		<b>394889</b>	(1/1)
Index	Date	Class	CCA
			<b>A 3</b>