
Wireless High Power Transmitter Module (RF ASK)

**Version History**

Version	Date	Changes
V1.01	Feb.21,2011	1 st . Edition

Key Feature

- Output Power up to 1.3W
- Voltage Supply from 4.5V to 5.5V
- Transmitter Data Rate 8Kbps

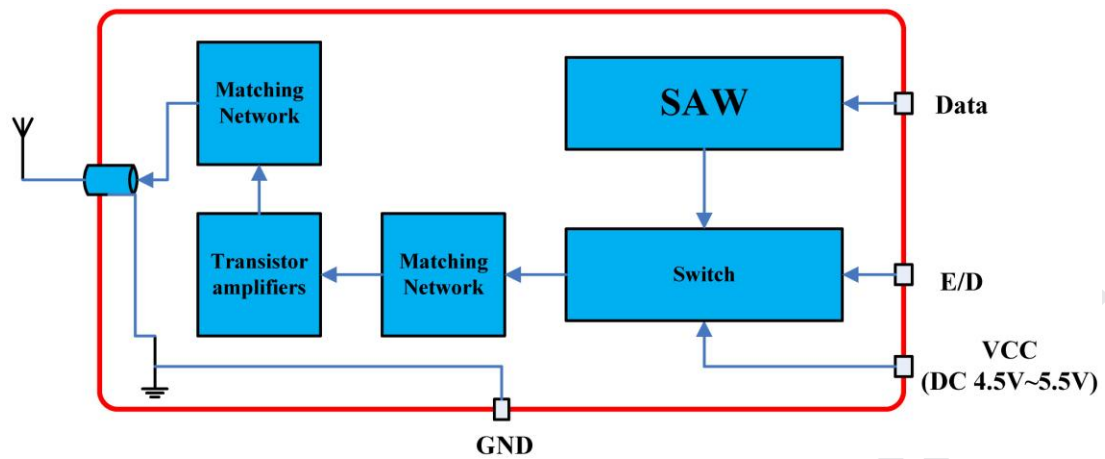
Application

- Remote control aircraft
- Remote control alarm
- Wireless toy
- Long-distance switch
- Long-distance walkie-talkie

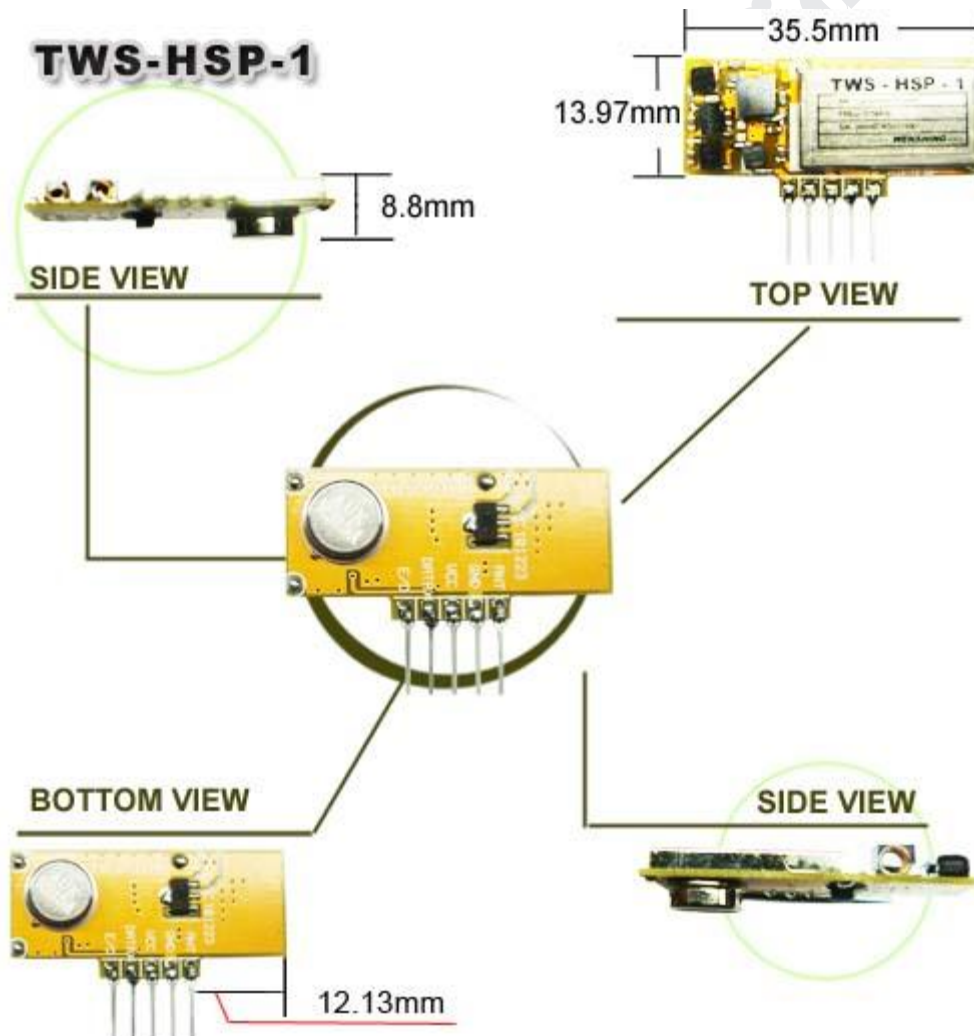
Characteristic

Parameter	Min	Type	Max	Unit	Condition
Operating Conditions					
Operating Temperature Range	-10		+70	°C	
Soldering Temperature			+230	°C	10sec
Operating Supply Voltage	4.5		5.5	V	
Current Consumption					
Tx Mode			487	mA	1.3W
Standby Mode			33	mA	E/D=H
TWS-HSP Series for Frequency					
TWS-HSP-1	314.9	315	315.1	MHz	ASK
TWS-HSP-2	433.82	433.92	434.02	MHz	ASK
TWS-HSP-3	868.25	868.35	868.45	MHz	ASK
RF Characteristic					
Span Range	-100		+100	KHz	
Data Rate			8	Kbps	ASK
Output Power			31.5	dBm	1.3W
Turn On/Off Time			300	us	
Modulation		ASK			

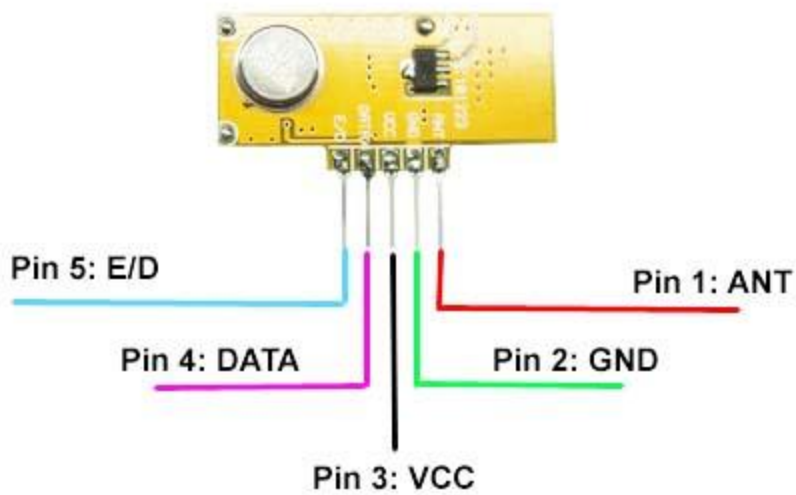
Block Diagram



View

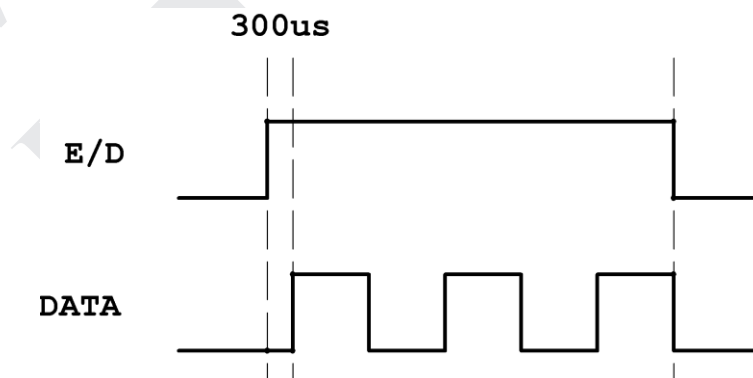


Pin Assignment

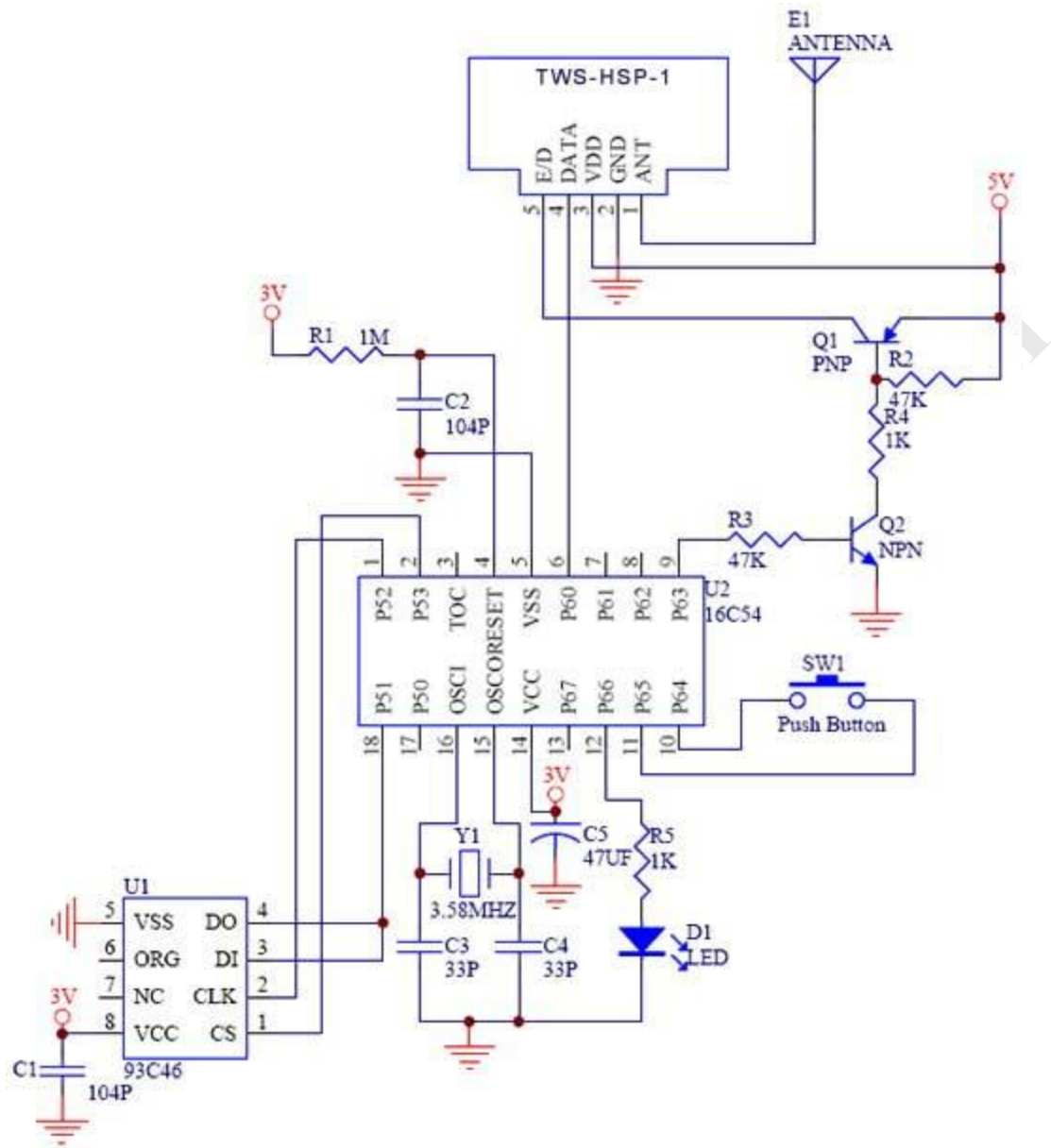


Pin	Function	I/O	Description
1	ANT	ANT	Antenna Interface
2	GND	G	Power Negative
3	VCC	P	Power Cathode
4	DATA	I	Data input
5	E/D	I	Enable and Disable Control

Timing Diagram



Application Circuit



WEI
Do Not