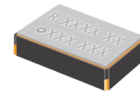


SMD Temperature Compensated Crystal Oscillators

SMD TCXO using analogue ASIC for compensation and an optional Enable/Disable pin for efficient power management.

Product description

The I(V)T2100H employs an analogue ASIC for the oscillator and a high order temperature compensation circuit in a 2.0 x 1.6 mm size package. The device can be placed in power down mode through a single input pin. During standard operation, power consumption is minimized by operating down to a supply voltage of 1.8V. The I(V)T2100H's high stability, low power consumption, small footprint and powerful compensation method makes it a TCXO ideally suited for demanding GPS mobile applications.



Applications

- Communications
- Consumer
- GPS

Features

- Excellent phase noise performance
- Low start up drift rate
- Height less than 0.8mm
- Operates at 1.8V supply
- Power Down Mode
- Temperature sensor
- Standard temperature stability of ± 0.5 ppm over wide temperature ranges

Specifications

1.0 SPECIFICATION REFERENCES

Line	Parameter	Description
1.1	Model description	IT2100H / IVT2100H
1.2	RoHS compliant	Yes
1.3	Reference number	
1.4	Rakon part number	

2.0 FREQUENCY CHARACTERISTICS

Line	Parameter	Test Condition	Value	Unit
2.1	Frequency		13 to 52	MHz
2.2	Frequency calibration + reflow	Offset from nominal frequency measured at 25°C $\pm 2^\circ\text{C}$. Two consecutive reflows as per attached profile after 2 hours relaxation at 25°C	± 2 max	ppm
2.3	Frequency stability over temperature	Referenced to the midpoint between minimum and maximum frequency value over the specified temperature range. Control voltage set to midpoint of control voltage (Note 1)	± 0.5 to 2	ppm
2.4	Temperature range	The operating temperature range over which the frequency stability is measured	-40 to 85	$^\circ\text{C}$
2.5	Frequency slope	Minimum of 1 frequency reading every 2°C over the operating temperature range (Note 1)	0.05 to 1	ppm/ $^\circ\text{C}$
2.6	Static temperature hysteresis	Frequency change after reciprocal temperature ramped over the operating range. Frequency measured before and after at 25°C	0.6 max	ppm
2.7	Sensitivity to supply voltage variations	Supply voltage varied $\pm 5\%$ at 25°C	± 0.1 max	ppm
2.8	Sensitivity to load variations	$\pm 10\%$ load change at 25°C (Note 2)	± 0.2 max	ppm
2.9	Long term stability	Frequency drift over 1 year at 25°C	± 1 max	ppm

3.0 POWER SUPPLY

Line	Parameter	Test Condition	Value	Unit
3.1	Supply voltage	Nominal supply voltage range	1.8 to 3	V
3.2	Current	At maximum supply voltage (Note 2)	2.2 max	mA

4.0 CONTROL VOLTAGE (VCO)

Line	Parameter	Test Condition	Value	Unit
4.1	Control voltage range	The nominal control voltage value is midway between the minimum and maximum. Voltage control should not exceed the supply voltage +0.2V or GND. Supply voltage $\leq 2.3V$.	0.3 to 1.5	V
4.2	Control voltage range	The nominal control voltage value is midway between the minimum and maximum. Voltage control should not exceed the supply voltage +0.2V or GND. Supply voltage $> 2.3V$.	0.4 to 2.4	V
4.3	Frequency control range	Frequency shift from minimum to maximum control voltage	6 to 30	ppm
4.4	Linearity	Deviation from straight line curve fit	10 max	%
4.5	Control voltage input resistance		500	k Ω

5.0 OSCILLATOR OUTPUT

Line	Parameter	Test Condition	Value	Unit
5.1	Output waveform	DC coupled clipped sine-wave (Note 3)		
5.2	Output voltage level	At minimum supply voltage (Note 2)	0.8 min	V
5.3	Output load resistance	Nominal load of 10k Ω	9 to 11	k Ω
5.4	Output load capacitance	Nominal load of 10pF	9 to 11	pF

6.0 POWER DOWN MODE (Enable/Disable Pin)

Line	Parameter	Test Condition	Value	Unit
6.1	Power down	RF disabled. Minimum GND	20 max	%Vcc
6.2	Normal operating mode	RF enabled. Maximum Vcc	80 min	%Vcc
6.3	Stand-by current	Typical value $< 0.01\mu A$	2 max	μA
6.4	Start up time (amplitude)	Within 90% of specified output level	0.5 max	ms
6.5	Start up time (frequency)	Within $\pm 0.5ppm$ of steady state	2 max	ms

7.0 TEMPERATURE SENSOR

Line	Parameter	Test Condition	Value	Unit
7.1	Temperature sensor output voltage	At 25°C	0.85 to 1.05	V
7.2	Temperature sensor slope		-8.9 to -8.5	mV/°C
7.3	Temperature sensor output impedance	At 25°C	1.5 max	k Ω

8.0 SSB PHASE NOISE

Line	Parameter	Test Condition	Value	Unit
8.1	SSB phase noise power density at 1Hz offset	Typical value for a 26.0MHz oscillator at 25°C	-62	dBc/Hz
8.2	SSB phase noise power density at 10Hz offset	Typical value for a 26.0MHz oscillator at 25°C	-86	dBc/Hz
8.3	SSB phase noise power density at 100Hz offset	Typical value for a 26.0MHz oscillator at 25°C	-109	dBc/Hz
8.4	SSB phase noise power density at 1kHz offset	Typical value for a 26.0MHz oscillator at 25°C	-132	dBc/Hz
8.5	SSB phase noise power density at 10kHz offset	Typical value for a 26.0MHz oscillator at 25°C	-148	dBc/Hz
8.6	SSB phase noise power density at 100kHz offset	Typical value for a 26.0MHz oscillator at 25°C	-149	dBc/Hz

9.0 ENVIRONMENTAL

Line	Parameter	Description
9.1	Shock	Half sine-wave acceleration of 3000g peak amplitude. Duration: 0.3ms, Velocity: 12.3ft/s [MIL-STD-202 M213] (Note 4)
9.2	Moisture resistance	1000 hours at 85°C, 85% relative humidity. Biased. [MIL-STD-202 M106g] (Note 4)
9.3	Thermal cycling	1000 temperature cycles, where each cycle consists of a 25 minutes soak time at -40°C followed by a 25 minute soak time at 85°C, with a 60 second maximum transition time between temperatures. Air to air transition. [JESD22 METHOD JA-104C] (Note 4)
9.4	Vibration	10g peak acceleration for 20 minutes. 12 cycles in each of 3 orientations. Test from 10-2000Hz [JESD22-B103-B] (Note 4)
9.5	Storage temperature	-40 to 85°C

10.0 MARKING

Line	Parameter	Description
10.1	Type	Engraved
10.2	Line 1	[R], [XXXX]* = Frequency in MHz (e.g.: 8H00 = 8MHz, 19H2 = 19.2MHz, 100H = 100MHz), and [XX] = Date code
10.3	Line 2	[o] = Pin 1 and [XXX XXX] = Internal code
10.4	* Frequency code	Frequency marking is only represented by the first three significant digits. For example, on an IT2100H TCXO at 16.368MHz, its frequency code marking will be 16H3

11.0 MANUFACTURING INFORMATION

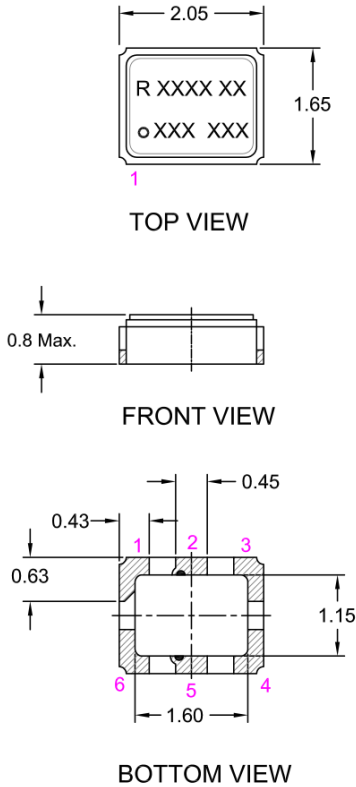
Line	Parameter	Description
11.1	Reflow	Solder reflow processes as per profile attached
11.2	Packaging description	Tape and reel. Standard packing quantity is 4000 per reel

12.0 SPECIFICATION NOTES

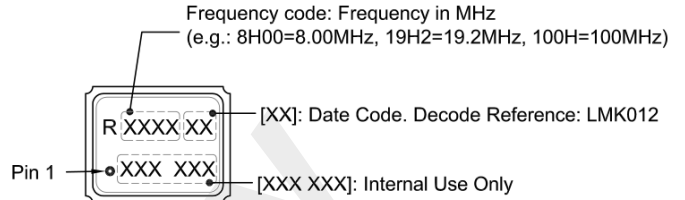
Line	Parameter	Description
12.1	Note 1	Parts should be shielded from drafts causing unexpected thermal gradients. Temperature changes due to ambient air currents on the oscillator can lead to short term frequency drift
12.2	Note 2	Specified for load stated in oscillator output section at 25°C
12.3	Note 3	External AC-Coupling capacitor required. 1nF or greater recommended
12.4	Note 4	Frequency shift ≤1ppm after environmental conditions

Drawing Name: I(V)T2100H Model Outline Drawing

MODEL DRAWING



LID MARKING

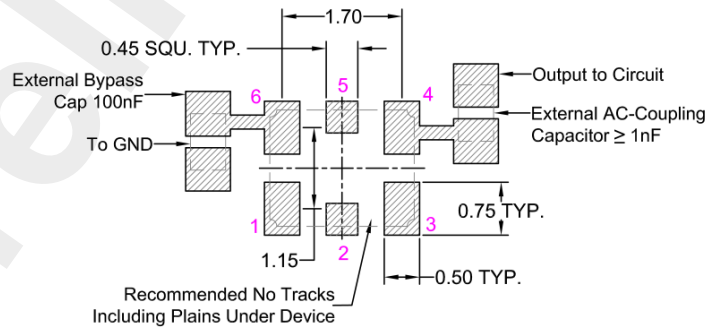


PIN CONNECTIONS

PIN	IT21..H	IVT21..H
1	GND / NC	VCO
2	Enable / Disable *	Enable / Disable *
3	GND	GND
4	OUTPUT	OUTPUT
5	Tsense	Tsense
6	VCC	VCC

NOTE: * Option.

RECOMMENDED PAD LAYOUT TOP VIEW



TITLE: I(V)T2100H MODEL

RELATED DRAWINGS:

FILENAME: CAT120

REVISION: C

DATE: 10-Jul-13

SCALE: 10 : 1

Millimetres

TOLERANCES:

XX =

X.X = ±0.15

X.XX = ±0.10

X,XXX =

X° =

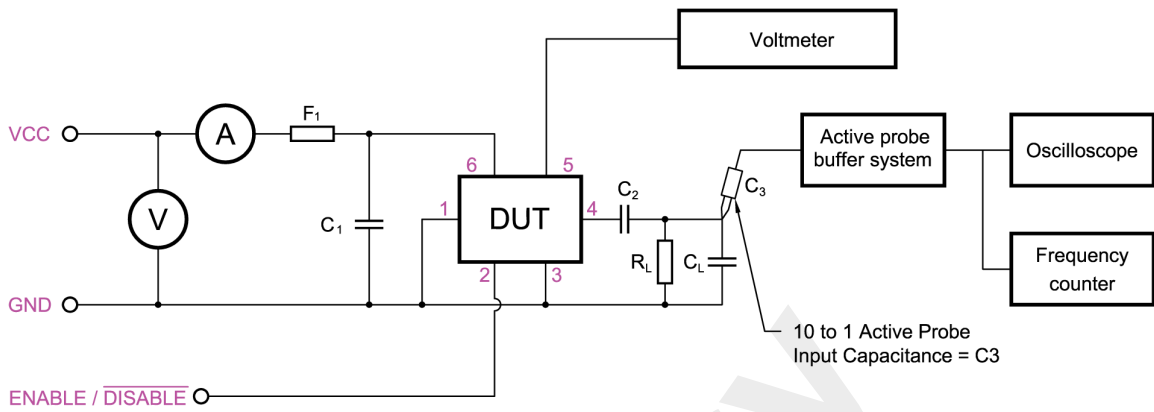
Hole =

rakon

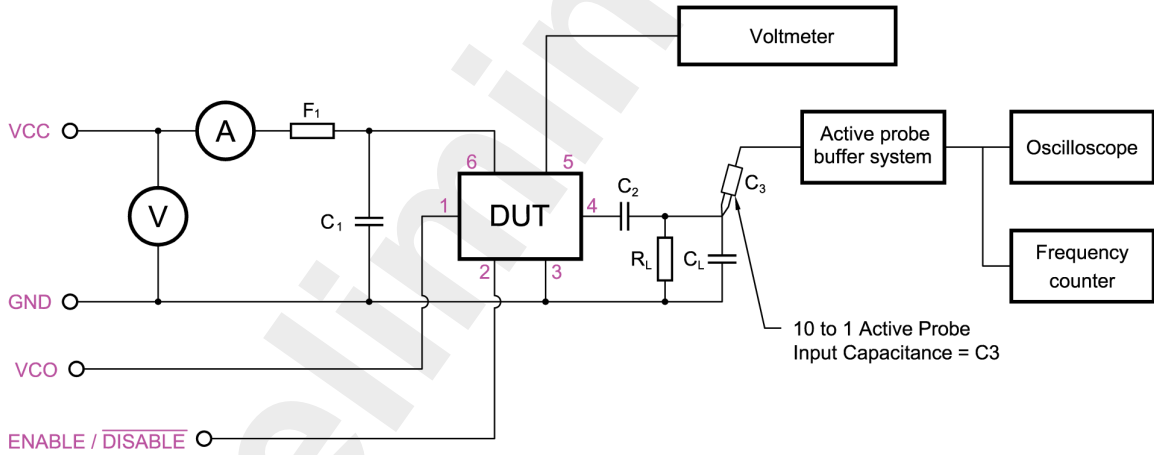
© 2013 Rakon Limited

Drawing Name: I(V)T2100H Test Circuit

IT21 ..H TEST CIRCUIT:



IVT21 ..H TEST CIRCUIT:



C_1 : 100nF
 C_2 : ≥ 1 nF
 R_L : 10K

$C_T = C_L + C_3$ (C_3 - Oscilloscope probe capacitance)
 C_T as stated in OSCILLATOR OUTPUT section
 F_1 : A ferrite bead or a resistor between 22 Ω ~ 47 Ω recommended.

TITLE: I(V)T2100H SERIES TEST CIRCUIT

FILENAME: CAT271

RELATED DRAWINGS:

REVISION: A

DATE: 05-Apr-11

SCALE: NTS

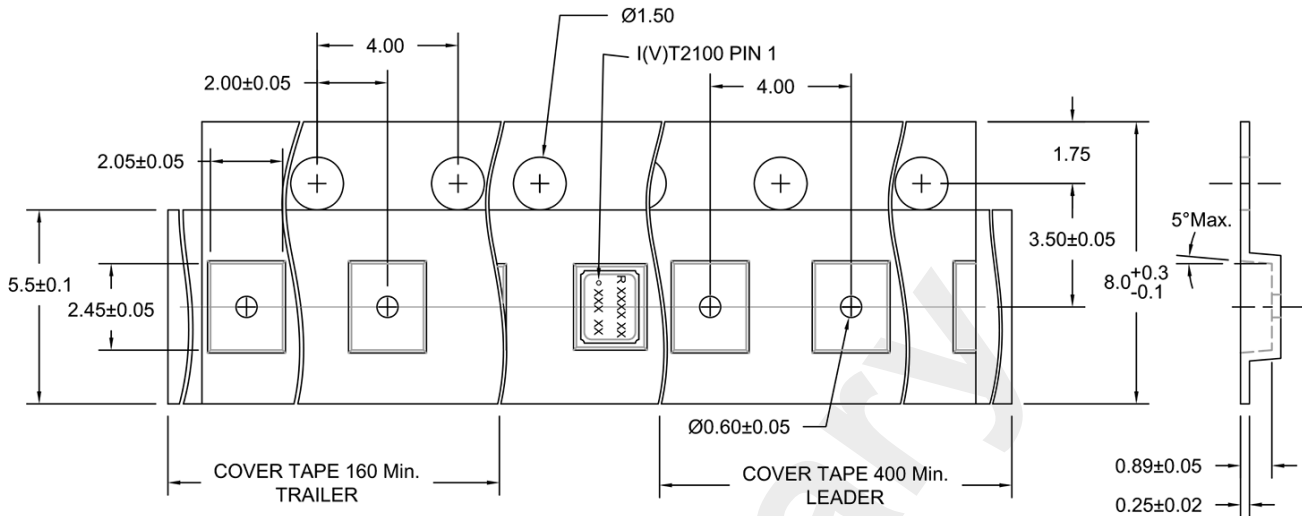
Millimetres

rakon

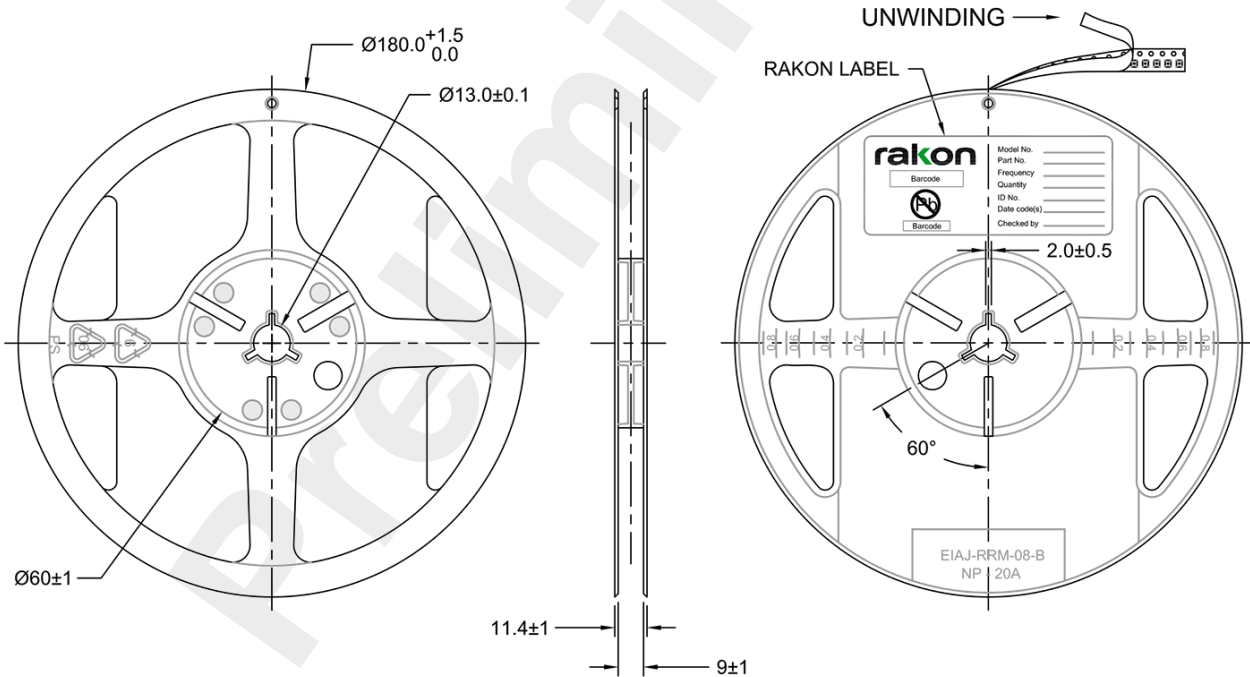
© 2009 Rakon Limited

Drawing Name: 2100 Series Tape and Reel Drawing

TAPE DETAIL (Scale 5 : 1)



REEL DETAIL (Scale 1 : 2.5)



TITLE: 2016 PACKAGE SERIES TAPE & REEL

RELATED DRAWINGS:

FILENAME: CAT461

REVISION: F

DATE: 05-Jun-13

SCALE: See Above

Millimetres

TOLERANCES:

XX =

X.X = ±0.2

X.XX = ±0.10

X.XXX =

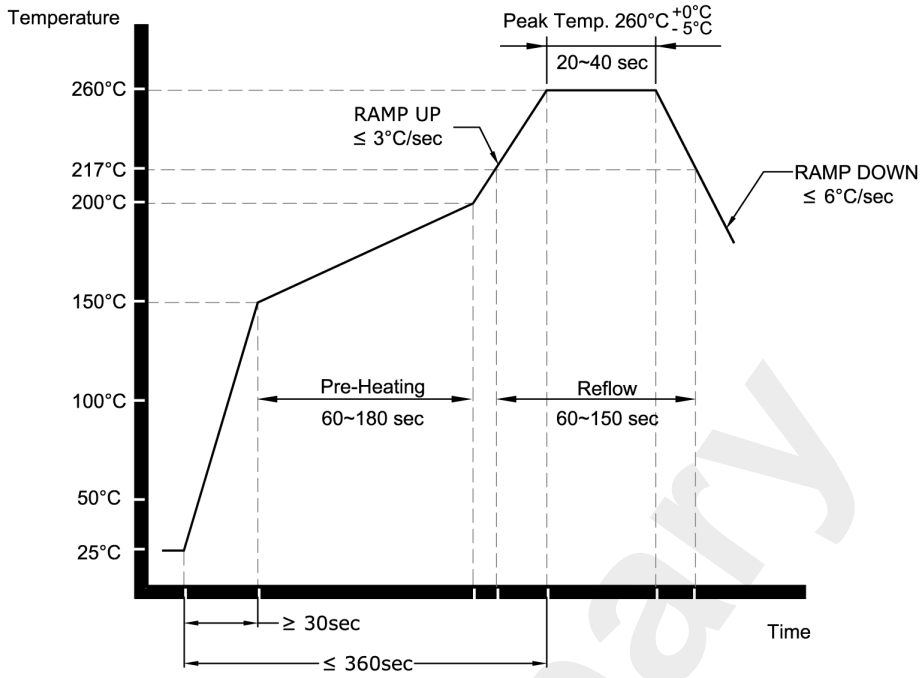
X° =

Hole =

rakon

© 2013 Rakon Limited

Drawing Name: Pb-Free Reflow



NOTE:

The product has been tested to withstand the Reflow Profile shown. The Reflow Profile used to solder Rakon products is determined by the solder paste Manufacturer's specification. It is recommended that the Reflow Profile used does not exceed the one shown above.

TITLE: Pb-FREE REFLOW

RELATED DRAWINGS:

FILENAME: CAT541

REVISION: B

DATE: 05-Sep-11

SCALE: NTS

Millimetres

rakon

© 2009 Rakon Limited