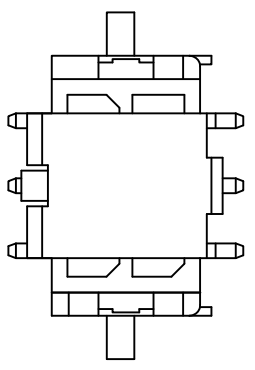
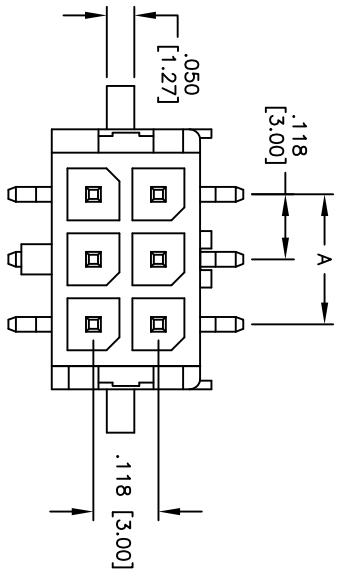
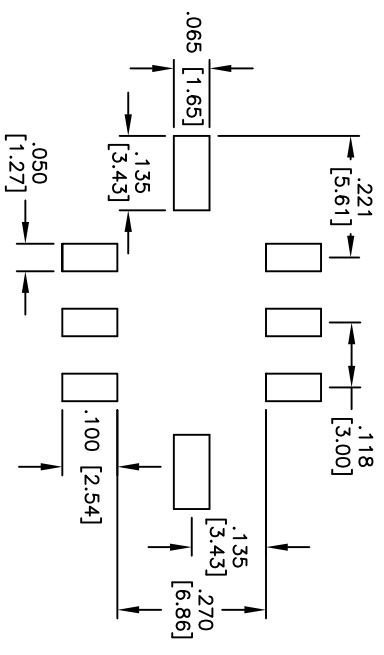


| Rev | AWO # | Description | Date    | Appr |
|-----|-------|-------------|---------|------|
| -   |       | RELEASED    | 8/20/10 |      |

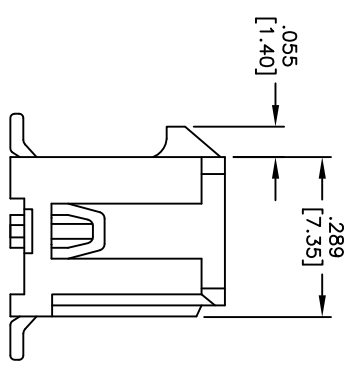
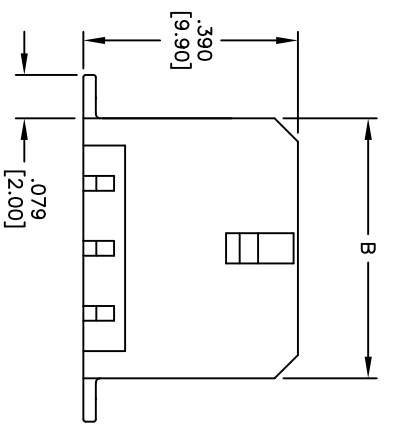
APPROVED: \_\_\_\_\_  
 DATE: \_\_\_\_\_ TITLE: \_\_\_\_\_



SHOWN WITH CAP



RECOMMENDED PCB LAYOUT



PACKAGED ON TAPE & REEL

| POSITIONS | Dimension     |               |
|-----------|---------------|---------------|
|           | A             | B             |
| 2         | N/A           | .262 [6.65]   |
| 4         | .118 [3.00]   | .380 [9.65]   |
| 6         | .236 [6.00]   | .498 [12.65]  |
| 8         | .354 [9.00]   | .616 [15.65]  |
| 10        | .472 [12.00]  | .734 [18.65]  |
| 12        | .591 [15.00]  | .852 [21.65]  |
| 14        | .709 [18.00]  | .970 [24.65]  |
| 16        | .827 [21.00]  | 1.088 [27.65] |
| 18        | .945 [24.00]  | 1.206 [30.65] |
| 20        | 1.063 [27.00] | 1.325 [33.65] |
| 22        | 1.181 [30.00] | 1.443 [36.65] |
| 24        | 1.299 [33.00] | 1.561 [39.65] |

SPECIFICATIONS:  
 Material: Insulator: Hi-temp thermoplastic, rated UL 94V-0  
 Insulator color: Black  
 Contacts: Brass  
 Plating: 30U" Gold over Nickel underplate overall  
 Electrical: Operating voltage: 250V AC, DC  
 Current rating: 5A AC, DC  
 Contact resistance: 10 mohms max  
 Insulation resistance: 1000 mohms min  
 Dielectric withstanding voltage: 1500 VAC for 1 minute  
 Temperature range: -25°C to +105°C  
 Environmental: Lead free, RoHS compliant.  
 Recommended soldering temp: 260°C for 5 sec.

A

6

5

4

3

2

1

**ADAM TECH**

909 Railway Avenue, Union, NJ 07083  
 Phone: 908-687-5000 Fax: 908-687-5710

TITLE: .118 [3.00] DUAL ROW THRU HOLE HEADER  
 VERTICAL, TRUE SMT TYPE, WITH CAP

|  |             |
|--|-------------|
| UNLESS OTHERWISE SPECIFIED<br>ALL DIMENSIONS ARE INCHES [MM] |             |
| TOLERANCES: EXCEPT AS NOTED                                  |             |
| INCHES   | HOLDS       |
| .X ± .10   | ØX ± .10    |
| .XX ± .020   | ØXX ± .015  |
| .XXX ± .015  | ØXXX ± .010 |
| APPROVALS  | DATE        |
| DRAWN  | DY          |
| CHECKED  | 8/20/10     |
| APPROVED   |             |

|             |                             |              |
|-------------|-----------------------------|--------------|
| SIZE        | PART NO.                    | REV.         |
| X           | DML-XX-A-V-G-TSMT-30-PP-T/R | -            |
| REF: S0072T | SCALE: NTS                  | SHEET 1 OF 1 |

