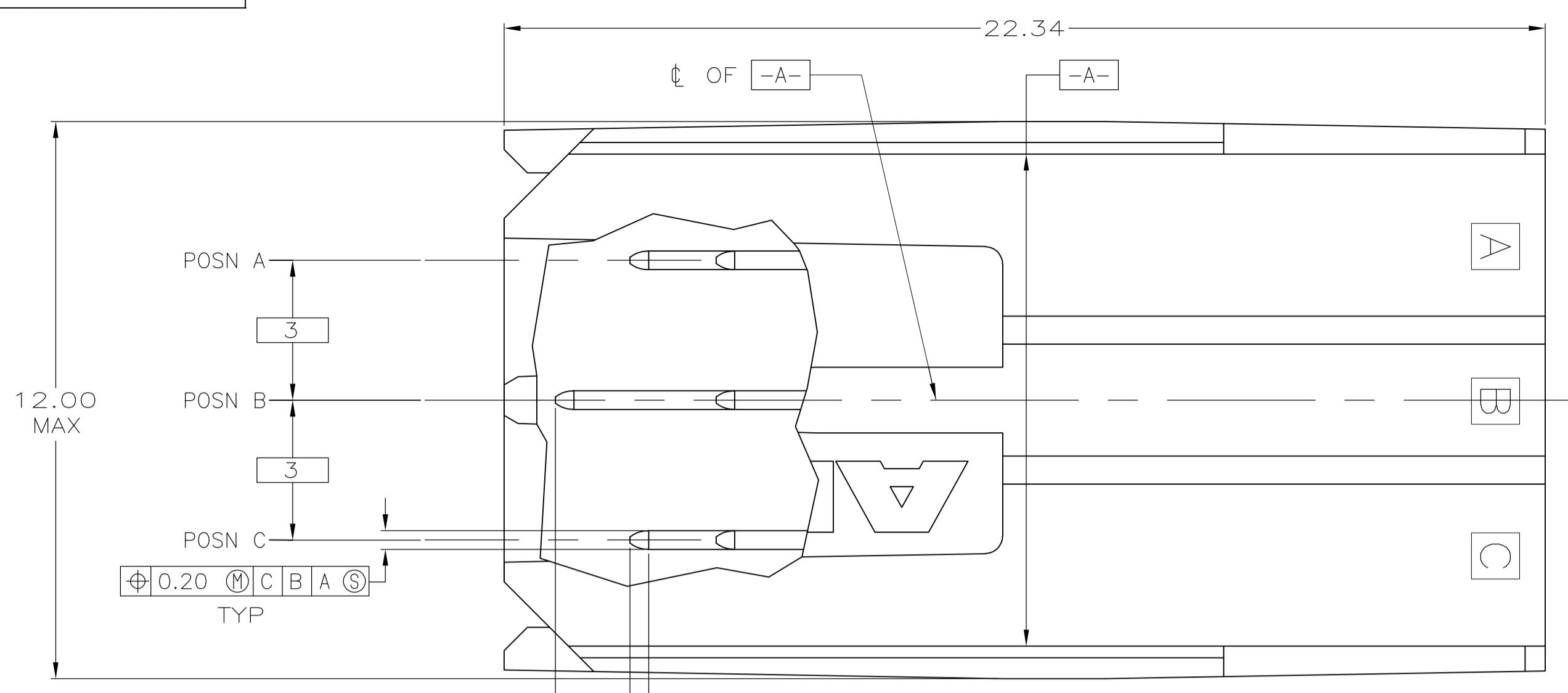
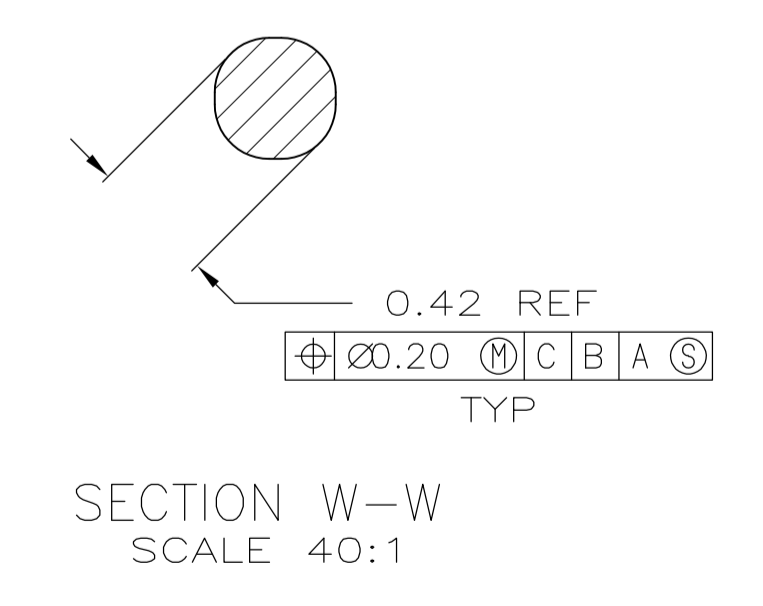
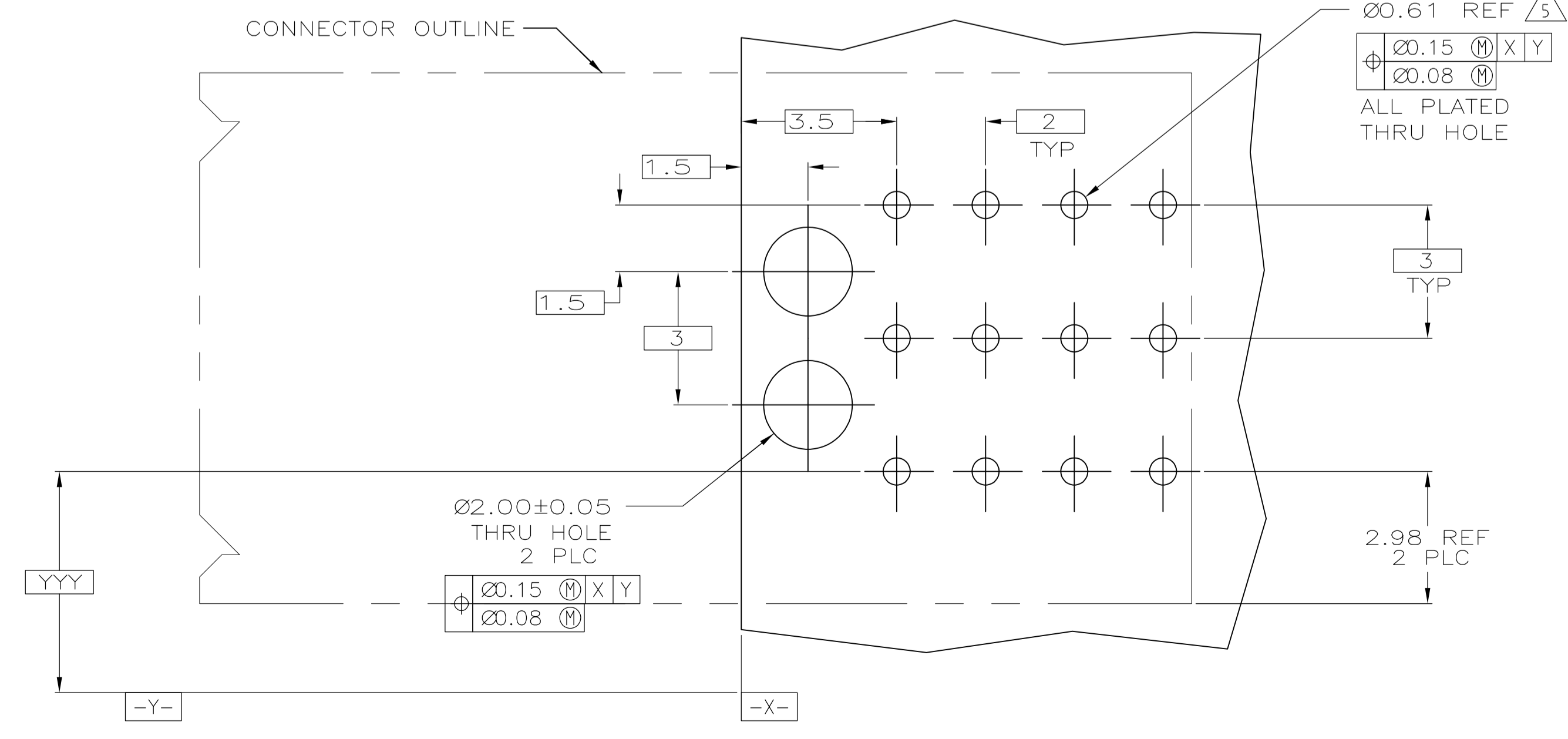
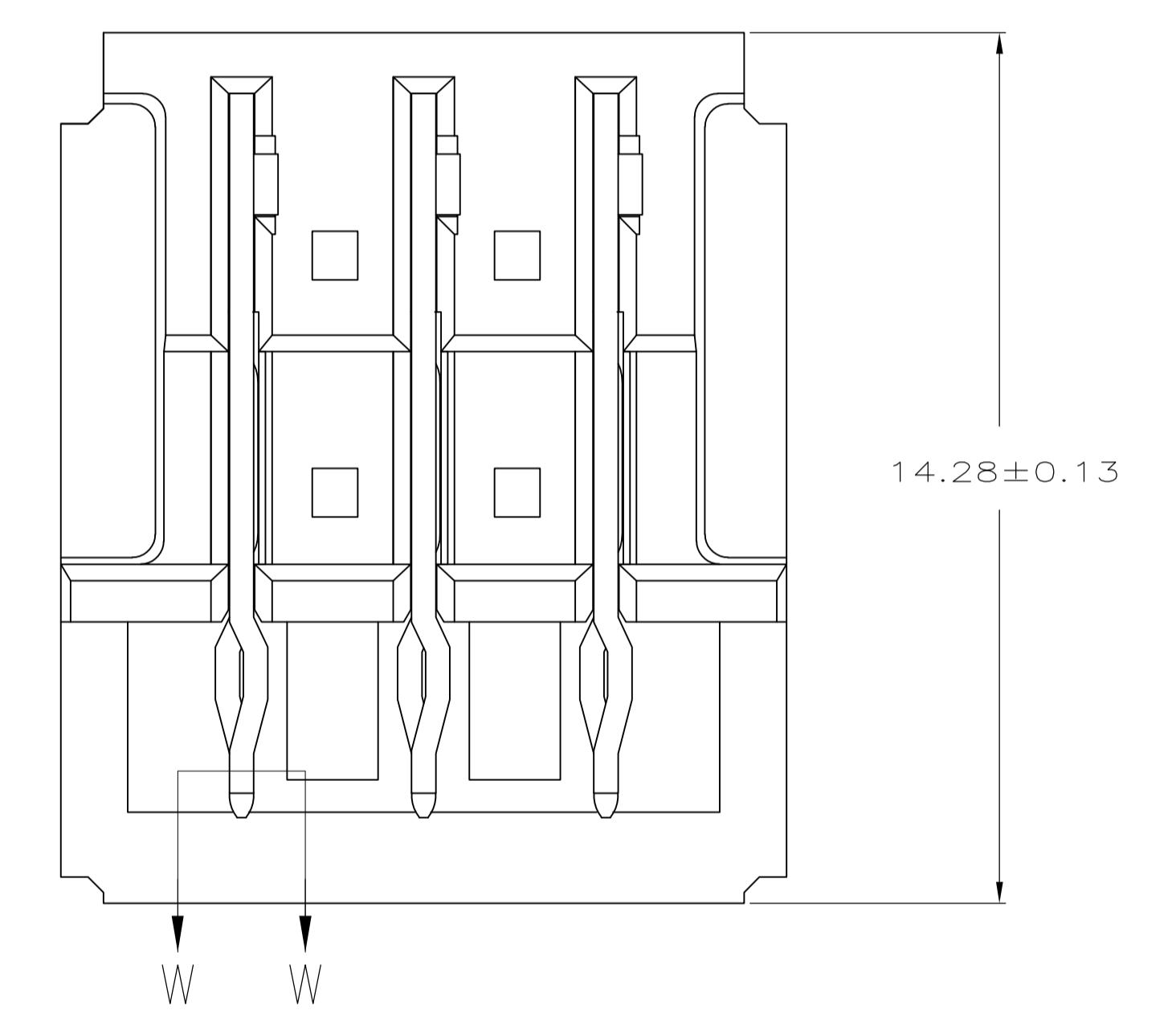
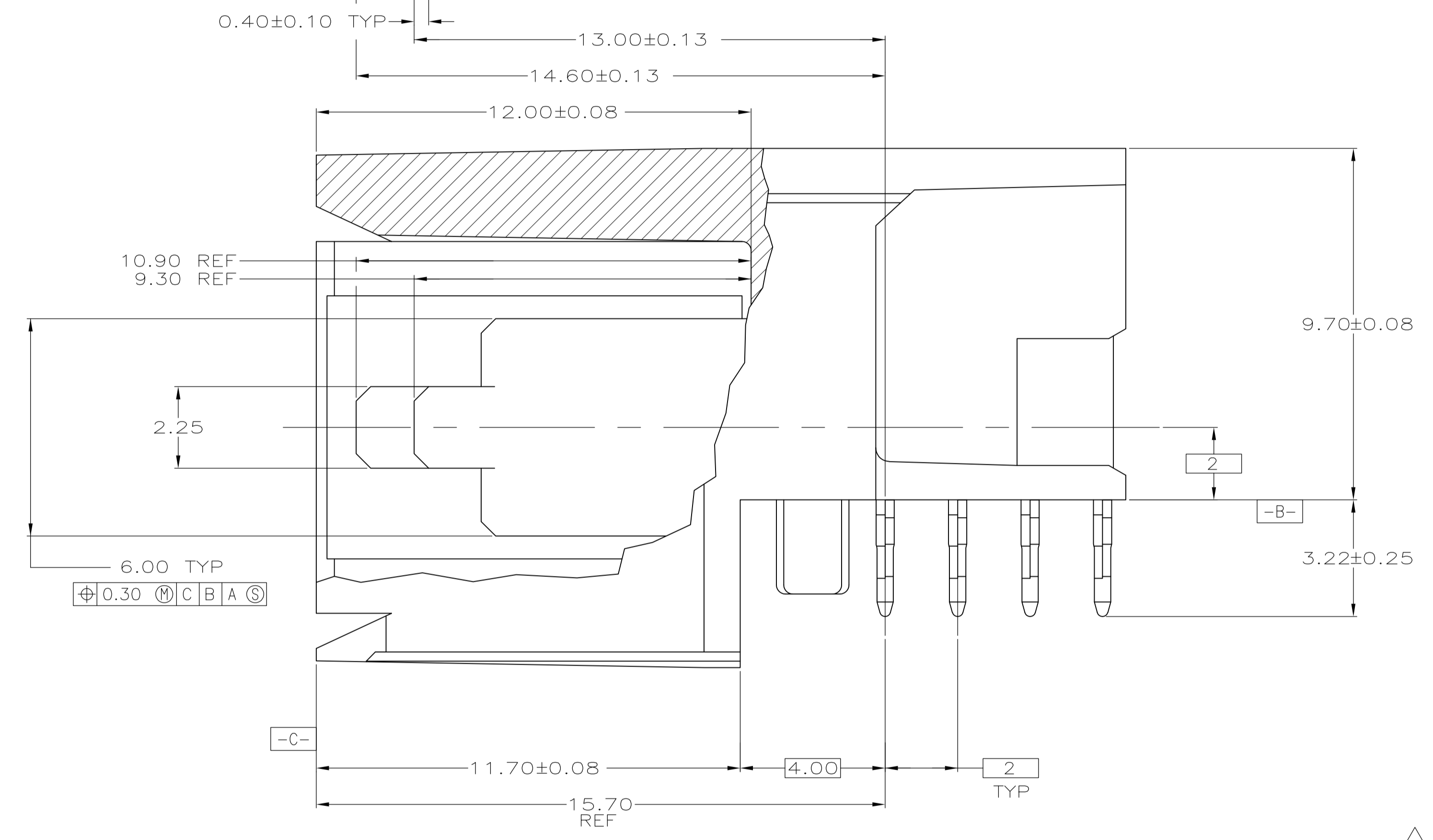
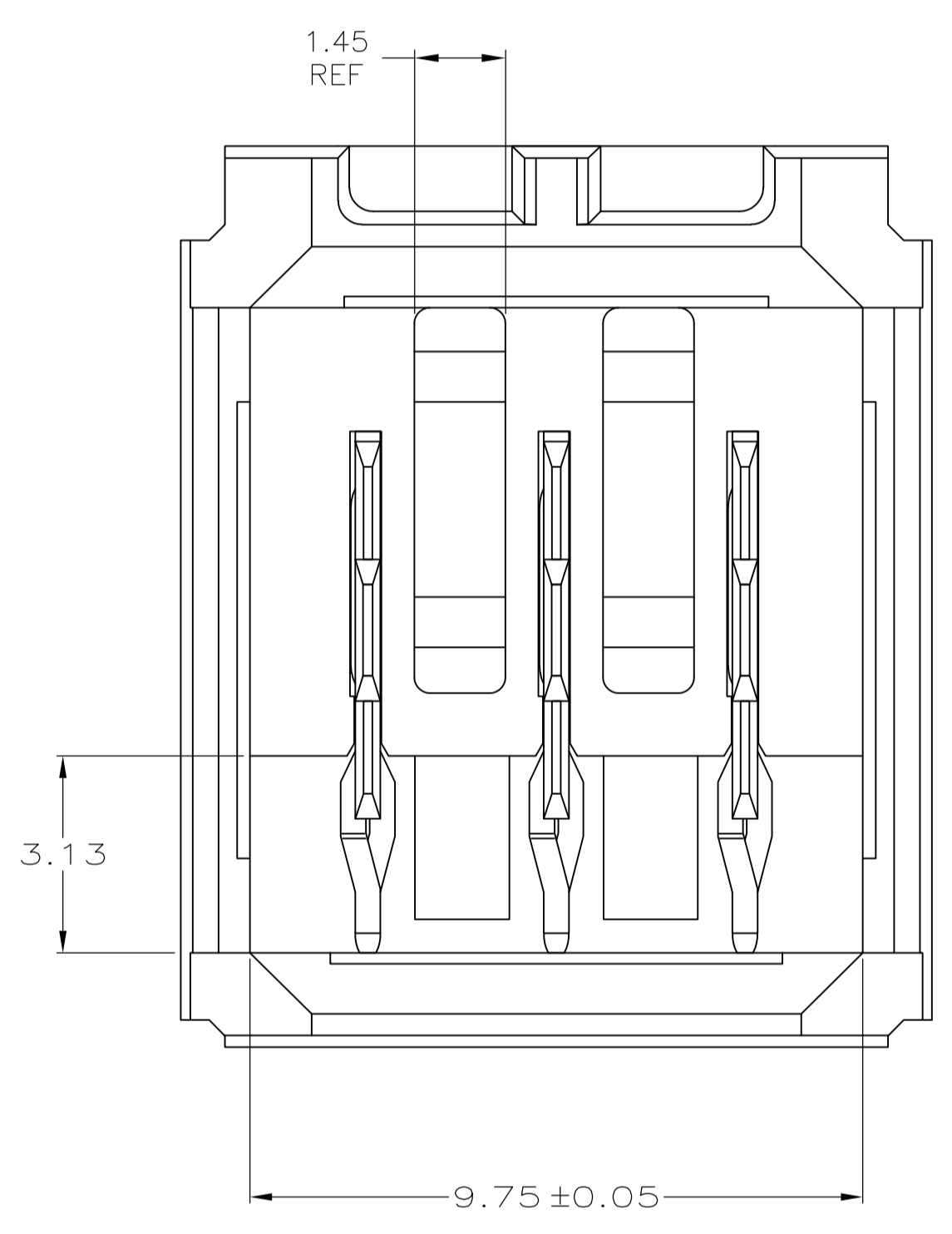


LOC		DIST		REVISIONS			
F	LTR	DESCRIPTION	DATE	DWN	APVD		
F		REVISED PER ECO-11-000045	06JAN11	DH	DY		



- 1 MATERIAL: HOUSING: POLYESTER. COLOR: GREY. UL 94V-0. CONTACT: PHOSPHOR BRONZE.
- 2 FINISH: CONTACT MATING AREA: 1.27µm MIN GOLD OR 0.08µm MIN GOLD OVER 0.76µm MIN PALLADIUM-NICKEL. ACTION PIN AREA: 0.5µm MIN TIN LEAD PLATE, ALL OVER 1.27µm MIN NICKEL UNDERPLATE.
- 3 FINISH: CONTACT LUBRICATION WITH BELLCORE APPROVED LUBRICANT. TECHNICAL REFERENCE: TR-NWT-001217 ISSUE 1, SEPT 1992.
- 4 RESTRICTED PART NUMBER, CONTACT ENGINEERING.
- 5 REFERENCE APPLICATION SPEC 114-1103 FOR RECOMMENDED PLATED THRU HOLE DIAMETER AND PLATING THICKNESSES.
- 6 CURRENT RATING 10A/CONTACT PER PRODUCT SPEC 108-1651.



223987-8
223987-1
PART NUMBER

THIS DRAWING IS A CONTROLLED DOCUMENT.		DIN T. SHUEY 4-28-99	Tyco Electronics Corporation	
DIMENSIONS: mm		CHK R. PATTERSON 4-28-99	Harrisburg, PA 17105-3608	
TOLERANCES UNLESS OTHERWISE SPECIFIED:		APP'D R. PATTERSON 4-28-99	NAME	
0 PLC	± -	PRODUCT SPEC		
1 PLC	± -	APPLICATION SPEC		
2 PLC	± 0.13	SIZE CASE CODE DRAWING NO		
3 PLC	± -	A1 00779 C=223987		
4 PLC	± -	RESTRICTED TO		
ANGLES	± -	WEIGHT		
MATERIAL		CUSTOMER DRAWING		SCALE 10:1 SHEET 1 OF 1 REV F