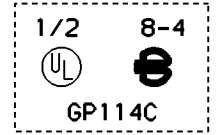
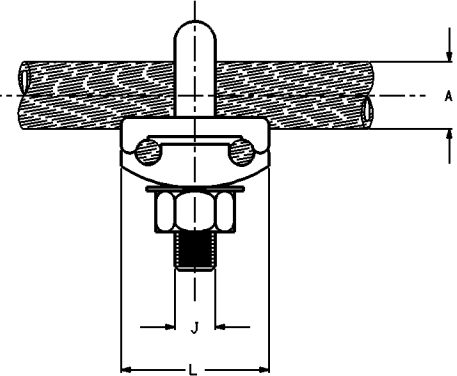
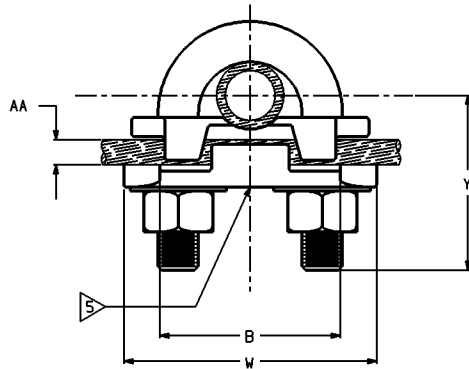


NOMINAL DIAMETER (in)	ROD SIZES ACCOMMODATED		PIPE SIZES ACCOMMODATED		COPPER CONDUCTOR ACCOMMODATED												CAT NO.	B		Y		J		L		W		U" BOLT	TORQUE	
	ACTUAL DIAMETER (in)	[mm]	NOMINAL DIAMETER (in)	ACTUAL DIAMETER (in)	AWG				METRIC WIRE SIZE				(in)	[mm]	(in)	[mm]		(in)	[mm]	(in)	[mm]	(in)	[mm]	Lb*in	N*mm					
					MIN		MAX		MIN		MAX																			
					SIZE	DIA	SIZE	DIA	SIZE	DIA	SIZE	DIA																		
1/2	0.500	[13]	1/4	0.540	[14]	8 SOL	0.129	4 STR	0.232	10mm² SOL	[3.6]	16mm² STR	[5.1]	GP114C	1.50	[38]	1.88	[48]	3/8	[10]	1.31	[33]	1.88	[48]	271	240	27.0			
1/2	0.500	[13]	1/4	0.540	[14]	4 SOL	0.204	2/0 STR	0.416	25mm² STR	[6.5]	50mm² STR	[9.3]	GP1126	1.50	[38]	1.88	[48]	3/8	[10]	1.69	[43]	1.88	[48]	271	240	27.0			
1/2	0.500	[13]	1/4	0.540	[14]	2/0 SOL	0.365	250 kcmil	0.575	70mm² STR	[10.9]	120mm² STR	[14.4]	GP1129	1.75	[44]	1.88	[48]	3/8	[10]	1.94	[49]	1.88	[48]	271	240	27.0			
5/8 - 3/4	0.625-0.750	[16-19]	3/8	0.675	[17]	8 SOL	0.129	4 STR	0.232	10mm² SOL	[3.4]	16mm² STR	[5.1]	GP644C	1.50	[38]	2.06	[52]	3/8	[10]	1.31	[33]	2.31	[59]	187	240	27.0			
5/8 - 3/4	0.625-0.750	[16-19]	3/8	0.675	[17]	4 SOL	0.204	2/0 STR	0.416	25mm² STR	[6.5]	50mm² STR	[9.3]	GP6426	1.50	[38]	2.06	[52]	3/8	[10]	1.69	[43]	2.31	[59]	187	240	27.0			
5/8 - 3/4	0.625-0.750	[16-19]	3/8	0.675	[17]	2/0 SOL	0.365	250 kcmil	0.575	70mm² STR	[10.9]	120mm² STR	[14.4]	GP6429	1.75	[44]	2.06	[52]	3/8	[10]	1.11	[30]	2.31	[59]	242	240	27.0			
5/8 - 3/4	0.625-0.750	[16-19]	3/8	0.675	[17]	300 kcmil	0.63	500 kcmil	0.814	185mm² STR	[17.8]	240mm² STR	[20.3]	GP6434	2.00	[51]	2.56	[65]	1/2	[13]	2.56	[65]	2.56	[65]	254	480	54.1			
5/8 - 3/4	0.625-0.750	[16-19]	3/8	0.675	[17]	550 kcmil	0.855	750 kcmil	0.998	300mm² STR	[22.6]	400mm² STR	[26.1]	GP6439	2.00	[51]	2.56	[65]	1/2	[13]	2.94	[75]	2.56	[65]	254	480	54.1			
1	1.000	[25]	1/2 - 3/4	0.84 - 1.050	[21-27]	8 SOL	0.129	4 STR	0.232	10mm² STR	[3.6]	16mm² STR	[5.1]	GP144C	1.50	[38]	1.81	[46]	3/8	[10]	1.94	[49]	2.38	[60]	222	240	27.0			
1	1.000	[25]	1/2 - 3/4	0.84 - 1.050	[21-27]	4 SOL	0.204	2/0 STR	0.416	25mm² STR	[6.5]	50mm² STR	[9.3]	GP1426	1.50	[38]	1.81	[46]	3/8	[10]	1.69	[43]	2.38	[60]	249	240	27.0			
1	1.000	[25]	1/2 - 3/4	0.84 - 1.050	[21-27]	2/0 SOL	0.365	250 kcmil	0.575	70mm² STR	[10.9]	120mm² STR	[14.4]	GP1429	1.75	[44]	2.13	[54]	3/8	[10]	1.94	[49]	2.38	[60]	249	240	27.0			
1	1.000	[25]	1/2 - 3/4	0.84 - 1.050	[21-27]	300 kcmil	0.63	500 kcmil	0.814	185mm² STR	[17.8]	240mm² STR	[20.3]	GP1434	2.00	[51]	2.69	[68]	1/2	[13]	2.56	[65]	2.75	[70]	247	480	54.1			
1	1.000	[25]	1/2 - 3/4	0.84 - 1.050	[21-27]	550 kcmil	0.855	750 kcmil	0.998	300mm² STR	[22.6]	400mm² STR	[26.1]	GP1439	2.12	[54]	2.69	[68]	1/2	[13]	2.94	[75]	2.75	[70]	247	480	54.1			
1	1.000	[25]	1/2 - 3/4	0.84 - 1.050	[21-27]	800 kcmil	1.031	1000 kcmil	1.152	400mm² STR	[26.1]	500mm² STR	[28.3]	GP1444	2.25	[57]	3.44	[87]	1/2	[13]	3.31	[84]	2.75	[70]	-	480	54.1			
1 1/8 - 1 1/4	1.125-1.250	[29-32]	1	1.315	[33]	8 SOL	0.129	4 STR	0.232	10mm² SOL	[3.6]	16mm² STR	[5.1]	GP154C	1.75	[44]	1.81	[46]	3/8	[10]	1.94	[49]	2.63	[67]	191	240	27.0			
1 1/8 - 1 1/4	1.125-1.250	[29-32]	1	1.315	[33]	4 SOL	0.204	2/0 STR	0.416	25mm² STR	[6.5]	50mm² STR	[9.3]	GP1526	1.75	[44]	1.81	[46]	3/8	[10]	1.69	[43]	2.63	[67]	244	240	27.0			
1 1/8 - 1 1/4	1.125-1.250	[29-32]	1	1.315	[33]	2/0 SOL	0.365	250 kcmil	0.575	70mm² STR	[10.9]	120mm² STR	[14.4]	GP1529	1.75	[44]	2.31	[59]	3/8	[10]	1.94	[49]	2.63	[67]	244	240	27.0			
1 1/8 - 1 1/4	1.125-1.250	[29-32]	1	1.315	[33]	300 kcmil	0.63	500 kcmil	0.814	185mm² STR	[17.8]	240mm² STR	[20.3]	GP1534	2.19	[56]	2.31	[59]	1/2	[13]	2.56	[65]	3	[76]	311	480	54.1			
1 1/8 - 1 1/4	1.125-1.250	[29-32]	1	1.315	[33]	550 kcmil	0.855	750 kcmil	0.998	300mm² STR	[22.6]	400mm² STR	[26.1]	GP1539	2.19	[56]	2.31	[59]	1/2	[13]	2.94	[75]	3	[76]	311	480	54.1			
1 1/8 - 1 1/4	1.125-1.250	[29-32]	1	1.315	[33]	800 kcmil	1.031	1000 kcmil	1.152	400mm² STR	[26.1]	500mm² STR	[28.3]	GP1544	2.25	[57]	2.31	[59]	1/2	[13]	3.31	[84]	3	[76]	311	480	54.1			
1 3/8 - 1 1/2	1.375-1.500	[35-38]	1 1/4	1.660	[42]	8 SOL	0.129	4 STR	0.232	10mm² SOL	[3.6]	16mm² STR	[5.1]	GP164C	1.88	[48]	2.31	[59]	3/8	[10]	1.31	[33]	3	[76]	204	240	27.0			
1 3/8 - 1 1/2	1.375-1.500	[35-38]	1 1/4	1.660	[42]	4 SOL	0.204	2/0 STR	0.416	25mm² STR	[6.5]	50mm² STR	[9.3]	GP1626	1.88	[48]	2.31	[59]	3/8	[10]	1.69	[43]	3	[76]	204	240	27.0			
1 3/8 - 1 1/2	1.375-1.500	[35-38]	1 1/4	1.660	[42]	2/0 SOL	0.365	250 kcmil	0.575	70mm² STR	[10.9]	120mm² STR	[14.4]	GP1629	1.88	[48]	2.31	[59]	3/8	[10]	1.94	[49]	3	[76]	204	240	27.0			
1 3/8 - 1 1/2	1.375-1.500	[35-38]	1 1/4	1.660	[42]	300 kcmil	0.63	500 kcmil	0.814	185mm² STR	[17.8]	240mm² STR	[20.3]	GP1634	2.19	[56]	2.88	[73]	1/2	[13]	2.56	[65]	3.38	[86]	256	480	54.1			
1 3/8 - 1 1/2	1.375-1.500	[35-38]	1 1/4	1.660	[42]	550 kcmil	0.855	750 kcmil	0.998	300mm² STR	[22.6]	400mm² STR	[26.1]	GP1639	2.44	[62]	3.56	[90]	5/8	[16]	3.94	[100]	3.69	[94]	359	660	74.4			
1 3/8 - 1 1/2	1.375-1.500	[35-38]	1 1/4	1.660	[42]	800 kcmil	1.031	1000 kcmil	1.152	400mm² STR	[26.1]	500mm² STR	[28.3]	GP1644	2.63	[67]	3.56	[90]	5/8	[16]	3.44	[87]	3.75	[95]	359	660	74.4			



LETTERING VIEW

NOTES:

1. MATERIAL: COPPER ALLOY.
2. FINISH: WHEELABRATOR.
3. UL 467 LISTED, FILE NO.E9999 ACCEPTABLE FOR DIRECT BURIAL.
4. DIMENSIONS IN BRACKETS [] ARE IN MILLIMETERS ROUNDED OFF TO THE NEAREST MILLIMETER, UNLESS OTHERWISE NOTED, AND ARE FOR REFERENCE ONLY.

LETTERING TO APPEAR ON THIS SIDE OF CONNECTOR

GROUND CLAMP

CAT NO: **GP - (TABLE)** SCALE: NONE

DRWN: JJB 11/12/45 CHECKED: AEB 2/21/45

DESIGN APPVL: G DITROIA 11/11/94 MFG APPVL: N/A

DRAWN APPVL: A LLOYD 12/3/94 MFG APPVL: E WOOD 11/11/94

STD FILE: SD13778-SHT01 MFG REF: N/A

PROJECT: MFG REF: N/A

BURNODY on FCJ Company

U.S. ELECTRICAL DIVISION MANCHESTER, NH 03106

DRIVING NO. **SD13778** REV. 7

SHEET 1 of 2

7	7/8/94	DESIGN TO CAD, ADDS METRIC DIMENSIONS, ADDS S.A., I.C.D. AND NEW SUBSTITUTES FOR (P.W. 1000)	RDP	KFM
REV.	DATE	DESCRIPTION	BY	C.K'D.