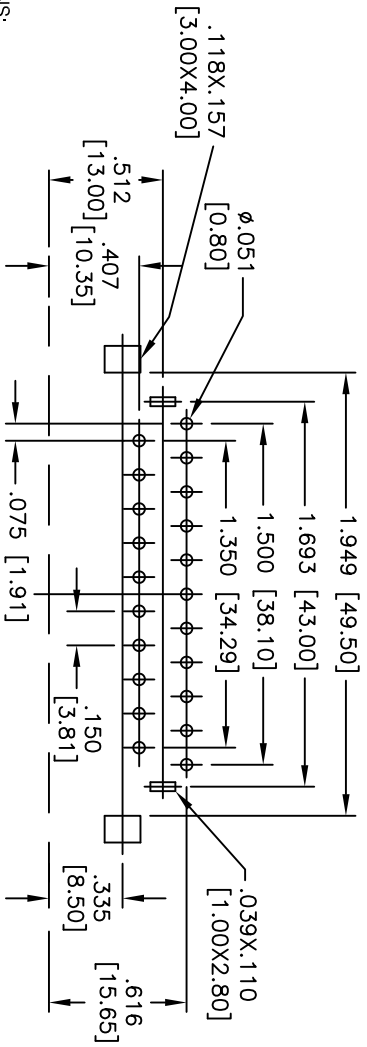
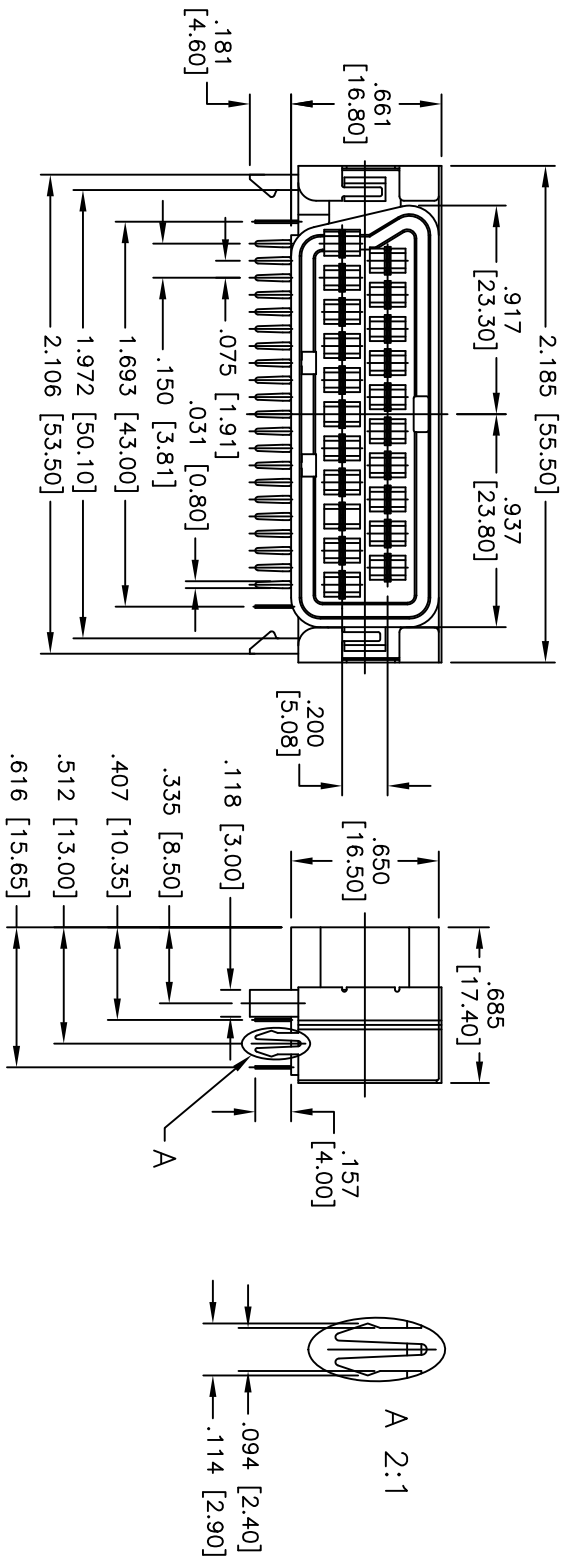


Rev	AWO #	Description	Date	Appr
-		RELEASED	11/17/10	

APPROVED: _____
 DATE: _____ TITLE: _____



SPECIFICATIONS:

- Material: Insulator: PC, rated UL 94V-2 & Glass fiber
- Insulator color: Black
- Contacts: Brass
- Plating: Tin over Copper underplate overall
- Electrical: Operating voltage: 250 VAC max
- Current rating: 3 Amps max
- Contact resistance: 25 Mohms max
- Insulation resistance: 5,000 Mohms min @ 100 VDC
- Dielectric withstanding voltage: 350 VAC for 1 minute
- Environmental: Lead free, RoHS Compliant
- Recommended soldering temp: 235° for 5 seconds



ADAM TECH

909 Railway Avenue, Union, NJ 07083
 Phone: 908-687-5000 Fax: 908-687-5710

SCART CONNECTOR, 21 PIN, RIGHT ANGLE

UNLESS OTHERWISE SPECIFIED ALL DIMENSIONS ARE INCHES [MM] TOLERANCES: EXCEPT AS NOTED		INCHES		HOLES	
X	± .10	ØX	± .10		
.XX	± .020	Ø.XX	± .015		
.XXX	± .015	Ø.XXX	± .010		
.XXX	± .010				
APPROVALS		DATE			
DRAWN	AY		11/17/10	SIZE	PART NO.
CHECKED	AH		11/17/10	X	SCT-SR-21-A-S1-A00743
APPROVED				REF:	S00167T
		SCALE:	NTS	SHEET	1 OF 1