

# MF0ICU1

## MIFARE Ultralight contactless single-ticket IC

Rev. 3.8 — 22 December 2010  
028638

Product data sheet  
PUBLIC

## 1. General description

---

The MIFARE MF0ICU1 has been developed by NXP Semiconductors for use with Proximity Coupling Devices (PCD) in accordance with ISO/IEC 14443 A (see [Ref. 1](#)). It is intended for use with single trip tickets in public transportation networks, loyalty cards or day passes for events as a replacement for conventional ticketing solutions such as paper tickets, magnetic stripe tickets or coins.

As the usage of contactless proximity smart cards becomes more and more common, transport and event operators are switching to completely contactless solutions. The introduction of the MIFARE Ultralight for limited use tickets will lead to a reduction of system installation and maintenance costs. Terminals will be less vulnerable to damage and mechanical failures caused by ticket jams. MF0ICU1 can easily be integrated into existing schemes and even standard paper ticket vending equipment can be upgraded. This solution for low cost tickets can help operators to reduce the circulation of cash within the system.

The mechanical and electrical specifications of MIFARE Ultralight are tailored to meet the requirements of paper ticket manufacturers.

### 1.1 Key applications

- Limited use tickets for public transport
- Limited use tickets for event ticketing

### 1.2 Contactless energy and data transfer

MF0ICU1 is connected to a coil with a few turns. The MF0ICU1 fits the TFC.0 (Edmondson) and TFC.1 (ISO) ticket formats as defined in BS EN753-2.

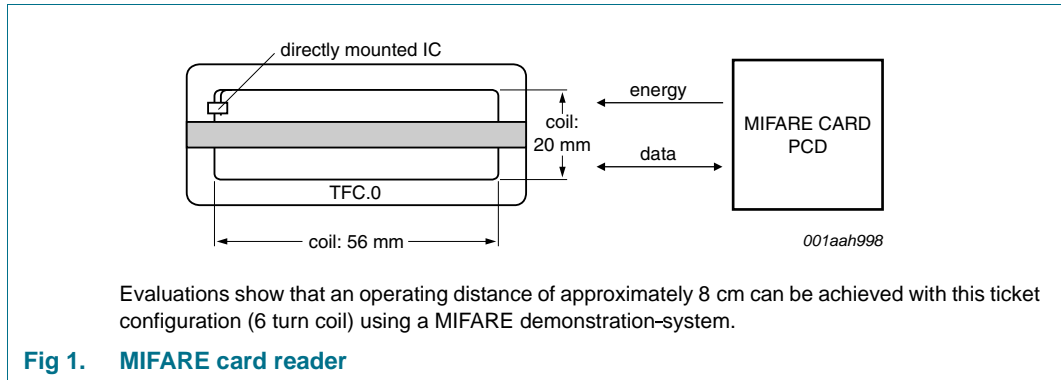
TFC.1 format tickets are supported by the MF0ICU10 chip which features a 17 pF on-chip resonance capacitor.

The smaller TFC.0 format tickets are supported by the MF0ICU11 chip which features a 50 pF on-chip resonance capacitor.

### 1.3 Anticollision

An intelligent anticollision function enables simultaneous multiscard operation. The anticollision algorithm individually selects each card and ensures correct execution of a transaction with the selected card without data corruption from other cards in the field.





### 1.3.1 Cascaded Unique Identification (UID)

The anticollision function is based on an IC individual serial number called Unique Identification (UID) for each IC. The UID of the MF0ICU1 comprises 7 bytes and supports ISO/IEC 14443-3 cascade level 2.

## 1.4 Security

- 7-byte UID in accordance with ISO/IEC 14443-3 for each device
- 32-bit user definable One-Time Programmable (OTP) area
- Field programmable read-only locking function per page

## 1.5 Delivery options

MF0ICU1 can be delivered in packaged or wafer form. Refer to delivery type description for more information.

## 2. Features and benefits

### 2.1 MIFARE RF interface ISO/IEC 14443 A

- Contactless transmission of data and supply energy (no battery needed)
- Operating distance up to 100 mm depending on antenna geometry
- Operating frequency of 13.56 MHz
- Data transfer of 106 kB/s
- Data integrity of 16-bit CRC, parity, bit coding, bit counting
- Anticollision
- 7-byte serial number in accordance with ISO/IEC 14443-3 cascade level 2
- Typical ticketing transaction time of < 35 ms
- Fast counter transaction time of < 10 ms

### 2.2 EEPROM

- 512-bit, organized in 16 pages with 4 bytes per page
- Field programmable read-only locking function per page
- 32-bit user definable One-Time Programmable (OTP) area
- 384-bit user Read/Write area (12 pages)
- Data retention time of 5 years
- Write endurance 10000 cycles

## 3. Ordering information

Table 1. Ordering information

Type number	Package			
	Commercial Name	Name	Description	Version
MF0ICU1001W/S7DL	FFC	-	8 inch wafer (sawn; 75 µm thickness, on film frame carrier; electronic fail die marking according to SECSII format) see <a href="#">Section 7</a> and <a href="#">Section 8</a> , 17 pF input capacitance	-
MF0ICU1101W/S7DL	FFC	-	8 inch wafer (sawn; 75 µm thickness, on film frame carrier; electronic fail die marking according to SECSII format) see <a href="#">Section 7</a> and <a href="#">Section 8</a> , 50 pF input capacitance	-
MF0ICU1001W/U7DL	FFC	-	8 inch wafer (sawn; 120 µm thickness, on film frame carrier; electronic fail die marking according to SECSII format) see <a href="#">Section 7</a> and <a href="#">Section 8</a> , 17 pF input capacitance	-
MF0ICU1101W/U7DL	FFC	-	8 inch wafer (sawn; 120 µm thickness, on film frame carrier; electronic fail die marking according to SECSII format) see <a href="#">Section 7</a> and <a href="#">Section 8</a> , 50 pF input capacitance	-
MF0MOA4U10/D	MOA4	PLLMC	plastic leadless module carrier package; 35 mm SOT500-2 wide tape, 17 pF input capacitance	SOT500-2

## 4. Block diagram

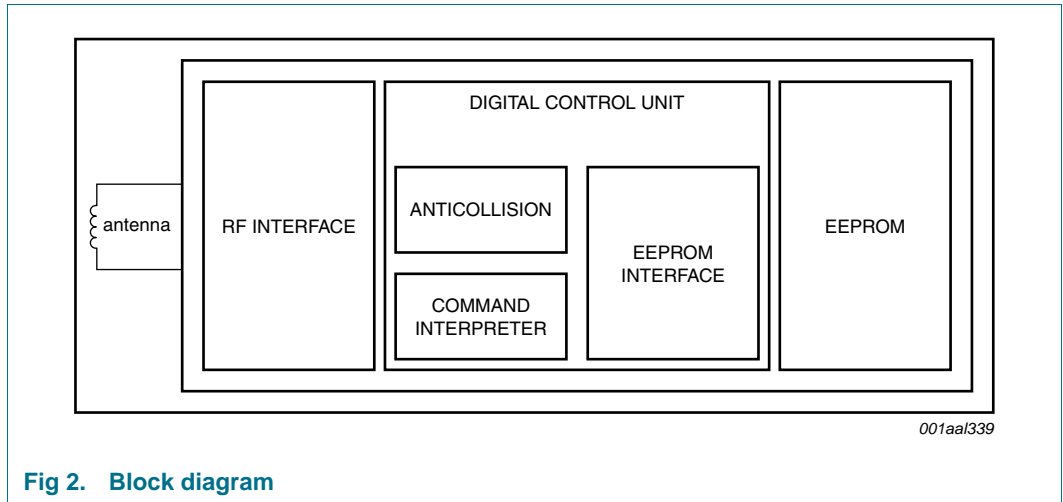


Fig 2. Block diagram

## 5. Pinning information

### 5.1 Contactless smart card module

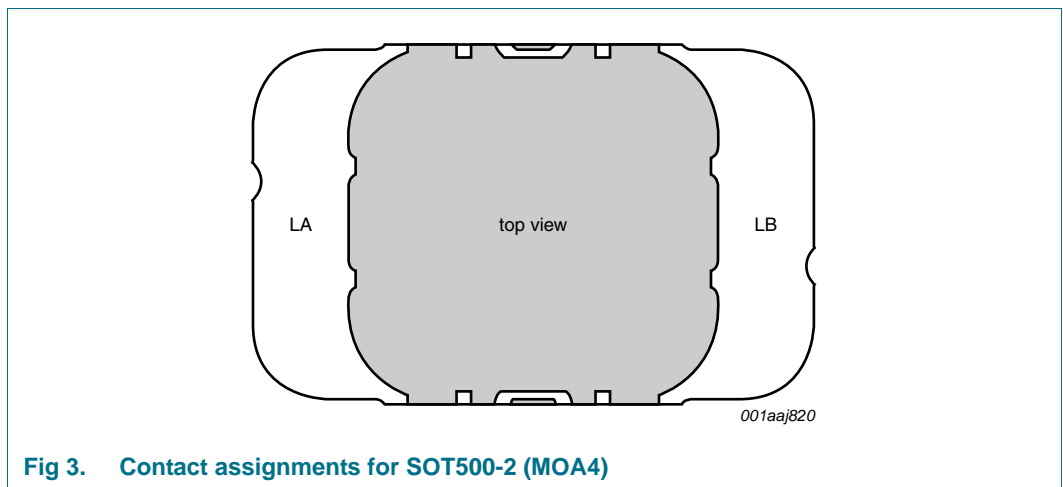


Fig 3. Contact assignments for SOT500-2 (MOA4)

Table 2. Bonding pad assignments to smart card contactless module

Contactless interface module		MF0ICU1DA4/01
Antenna contacts	Symbol	Description
LA	LA	antenna coil connection LA
LB	LB	antenna coil connection LB

## 6. Mechanical specification

**Table 3. Specifications**

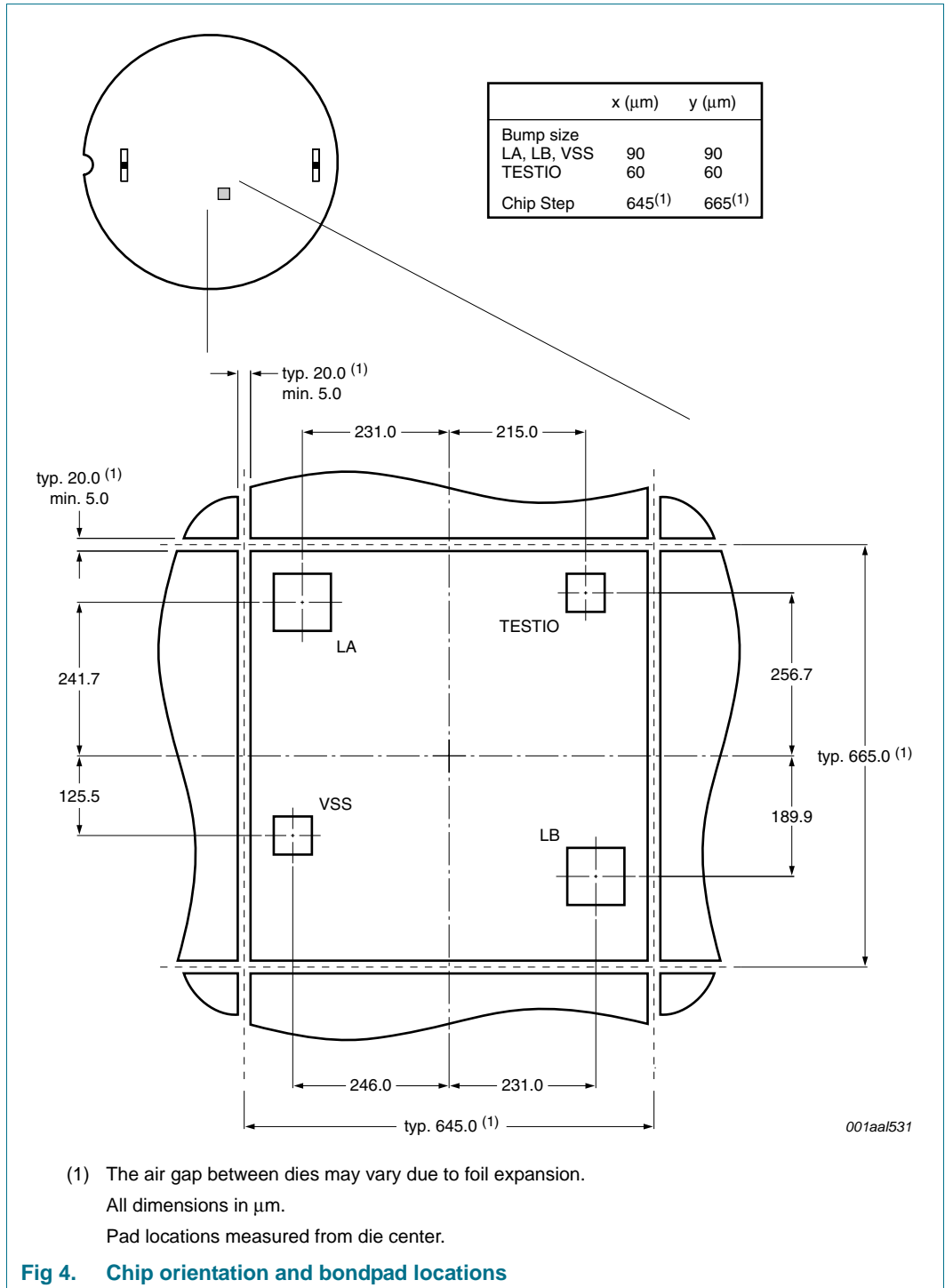
<b>Wafer</b>	
diameter	200 mm (8 inches)
maximum diameter after foil expansion	210 mm
thickness	120 $\mu\text{m}$ $\pm$ 15 $\mu\text{m}$ (U7DL types) 75 $\mu\text{m}$ $\pm$ 15 $\mu\text{m}$ (S7DL types)
flatness	not applicable
Potential Good Dies per Wafer (PGDW)	72778
<b>Wafer underside</b>	
material	Si
flatness	not applicable
roughness	$R_a$ max = 0.5 $\mu\text{m}$ $R_t$ max = 5 $\mu\text{m}$
<b>Chip dimensions</b>	
step size	x = 645 $\mu\text{m}$ y = 665 $\mu\text{m}$
gap between chips	typical = 20 $\mu\text{m}$ minimum = 5 $\mu\text{m}$
<b>Passivation</b>	
type	sandwich structure
material	PSG/nitride (on top)
thickness	500 nm/600 nm
<b>Au bump (substrate connected to VSS)</b>	
material	99.9 % pure Au
hardness	35 to 80 HV 0.005
shear strength	>70 MPa
height	18 $\mu\text{m}$
height uniformity	within a die = $\pm$ 2 $\mu\text{m}$ within a wafer = $\pm$ 3 $\mu\text{m}$ wafer to wafer = $\pm$ 4 $\mu\text{m}$
flatness	minimum = $\pm$ 1.5 $\mu\text{m}$
size	LA, LB and VSS = 90 $\mu\text{m}$ $\times$ 90 $\mu\text{m}$ TESTIO = 60 $\mu\text{m}$ $\times$ 60 $\mu\text{m}$
size variation	$\pm$ 5 $\mu\text{m}$
under bump metallization	sputtered TiW

### 6.1 Fail die identification

The wafers are not inked.

Electronic wafer mapping (SECS II format) covers the electrical test results and the additional mechanical/visual inspection results.

7. Chip orientation and bondpad locations



## 8. Functional description

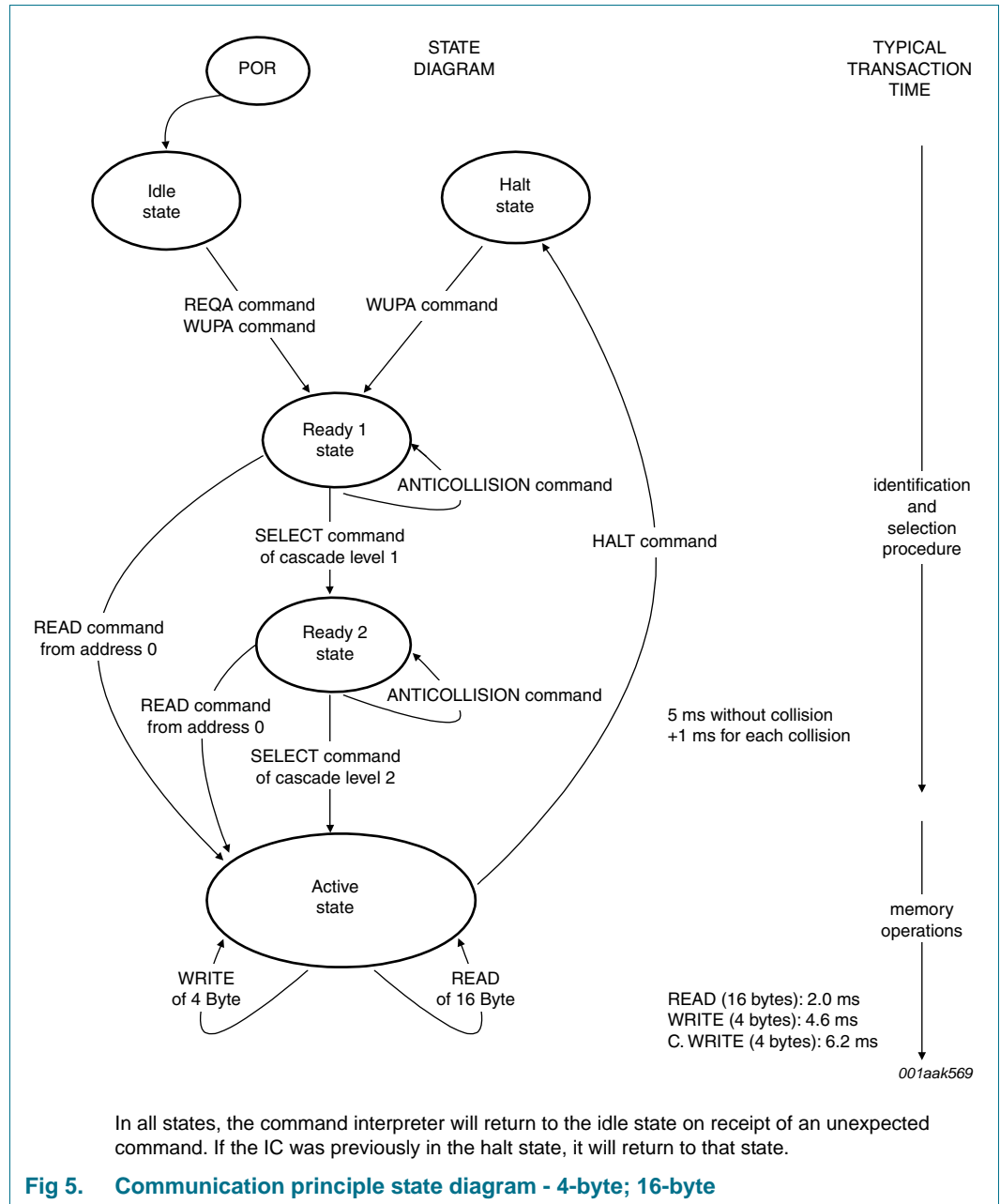
### 8.1 Block description

The MF0ICU1 chip consists of a 512-bit EEPROM, RF interface and Digital Control Unit (DCU). Energy and data are transferred via an antenna consisting of a coil with a small number of turns which is directly connected to the MF0ICU1. No further external components are necessary. Refer to the document [Ref. 6 "MIFARE \(Card\) Coil Design Guide"](#) for details on antenna design.

- RF interface:
  - Modulator/demodulator
  - Rectifier
  - Clock regenerator
  - Power-On Reset (POR)
  - Voltage regulator
- Anticollision: Multiple cards may be selected and managed in sequence
- Command interpreter: Processes commands supported by the MF0ICU1 to access the memory
- EEPROM interface
- EEPROM: 512 bits, organized in 16 pages of 4 bytes per page.
  - 80 bits reserved for manufacturer data
  - 16 bits used for the read-only locking mechanism
  - 32 bits available as OTP area
  - 384 bits user programmable Read/Write memory

8.2 Communication overview

Commands are initiated by the PCD and controlled by the MF0ICU1's command interpreter. This processes the internal states and generates the appropriate response.





### 8.2.1 Idle state

After a Power-On Reset (POR), the MF0ICU1 switches directly to the idle state. It only exits this state when a REQA or a WUPA command is received from the PCD. Any other data received while in the idle state is interpreted as an error and the MF0ICU1 remains Idle.

After a correctly executed HALT command, the halt state changes to the wait state which can be exited with a WUPA command.

### 8.2.2 Ready 1 state

In this state, the MF0ICU1 supports the PCD when resolving the first part of its UID (3 bytes) with the ANTICOLLISION or SELECT command from cascade level 1. This state is exited correctly after execution of either of the following commands:

- SELECT command from cascade level 1: the PCD switches the MF0ICU1 into Ready 2 state where the second part of the UID is resolved.
- READ command (from address 0): all anticollision mechanisms are bypassed and the MF0ICU1 switches directly to the active state.

**Remark:** If more than one MF0ICU1 is in the PCD field, a READ command from address 0 causes a collision due to the different serial numbers and all MF0ICU1 devices are selected. Any other data received in the Ready 1 state is interpreted as an error and depending on its previous state the MF0ICU1 returns to the wait, idle or halt state.

### 8.2.3 Ready 2 state

In this state, the MF0ICU1 supports the PCD when resolving the second part of its UID (4 bytes) with the cascade level 2 ANTICOLLISION command. This state is usually exited using the cascade level 2 SELECT command.

Alternatively, state Ready 2 may be skipped using a READ command (from address 0) as described in state Ready 1.

**Remark:** If more than one MF0ICU1 is in the PCD field, a READ command from address 0 causes a collision due to the different serial numbers and all MF0ICU1 devices are selected. The response of the MF0ICU1 to the cascade level 2 SELECT command is the Select Acknowledge (SAK) byte. In accordance with ISO/IEC 14443 this byte indicates if the anticollision cascade procedure has finished. It also defines the type of device selected for the MIFARE architecture platform. The MF0ICU1 is now uniquely selected and only this device will communicate with the PCD even when other contactless devices are present in the PCD field. Any other data received when the device is in this state is interpreted as an error and depending on its previous state the MF0ICU1 returns to the wait, idle or halt state.

### 8.2.4 Active state

In the active state either a 16-byte READ or 4-byte WRITE command can be performed. The HALT command exits either the READ or WRITE commands in their active state. Any other data received when the device is in this state is interpreted as an error and depending on its previous state the MF0ICU1 returns to the wait, idle or halt state.

### 8.2.5 Halt state

The halt and idle states constitute the second wait state implemented in the MF0ICU1. An already processed MF0ICU1 can be set into the halt state using the HALT command. In the anticollision phase, this state helps the PCD to distinguish between processed cards and cards yet to be selected. The MF0ICU1 can only exit this state on execution of the WUPA command. Any other data received when the device is in this state is interpreted as an error and the MF0ICU1 state is unchanged. Refer to the document MIFARE collection of currently available application notes for correct implementation of an anticollision procedure based on the idle and halt states and the REQA and WUPA commands.

### 8.3 Data integrity

Reliable data transmission is ensured over the contactless communication link between PCD and MF0ICU1 as follows:

- 16-bit CRC for each block
- Parity bits for each byte
- Bit count checking
- Bit coding to distinguish between logic 1, logic 0 and no information
- Channel monitoring (protocol sequence and bit stream analysis)

### 8.4 RF interface

The RF interface is based on the ISO/IEC 14443 A standard for contactless smart cards. The RF field from the PCD is always present as it is used for the card power supply. However, it is sequentially interrupted during data transmission to allow the data to be sent. There is only one start bit at the beginning of each frame for data communication irrespective of direction. Each byte is transmitted with an odd parity bit at the end of the byte. The LSB of the byte with the lowest selected block address is transmitted first. The maximum frame length is 163-bit:

(16 data bytes + 2 CRC bytes =  $16 * 9 + 2 * 9 + 1$  start bit = 163).

### 8.5 Memory organization

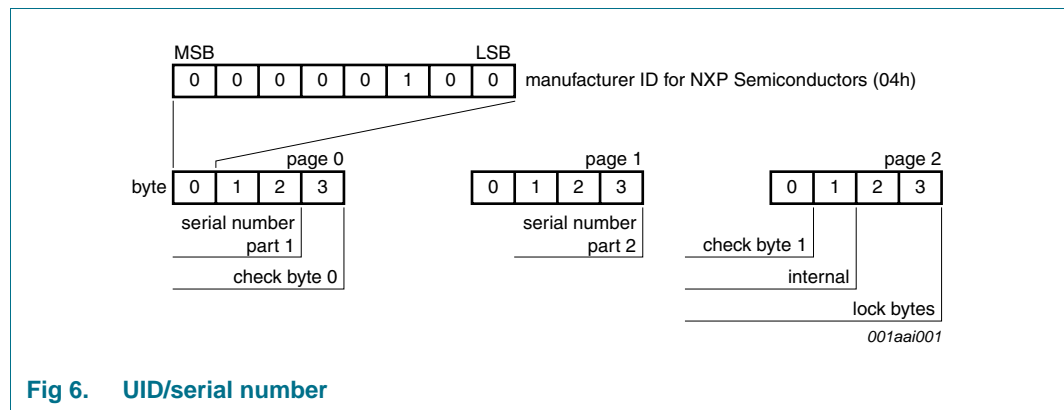
The 512-bit EEPROM memory is organized in 16 pages with 4 bytes per page. In the erased state the EEPROM cells are read as logic 0, in the written state as logic 1.

**Table 4. Memory organization**

Page address		Byte number			
Decimal	Hex	0	1	2	3
0	00h	serial number			
1	01h	serial number			
2	02h	serial number	internal	lock bytes	lock bytes
3	03h	OTP	OTP	OTP	OTP
4 to 15	04h to 0Fh	user memory			

#### 8.5.1 UID/serial number

The unique 7-byte serial number (UID) and its two check bytes are programmed into the first 9 bytes of memory covering page addresses 00h, 01h and the first byte of page 02h. The second byte of page address 02h is reserved for internal data. These bytes are programmed by the IC manufacturer and because of the security requirements are write protected.



**Fig 6. UID/serial number**

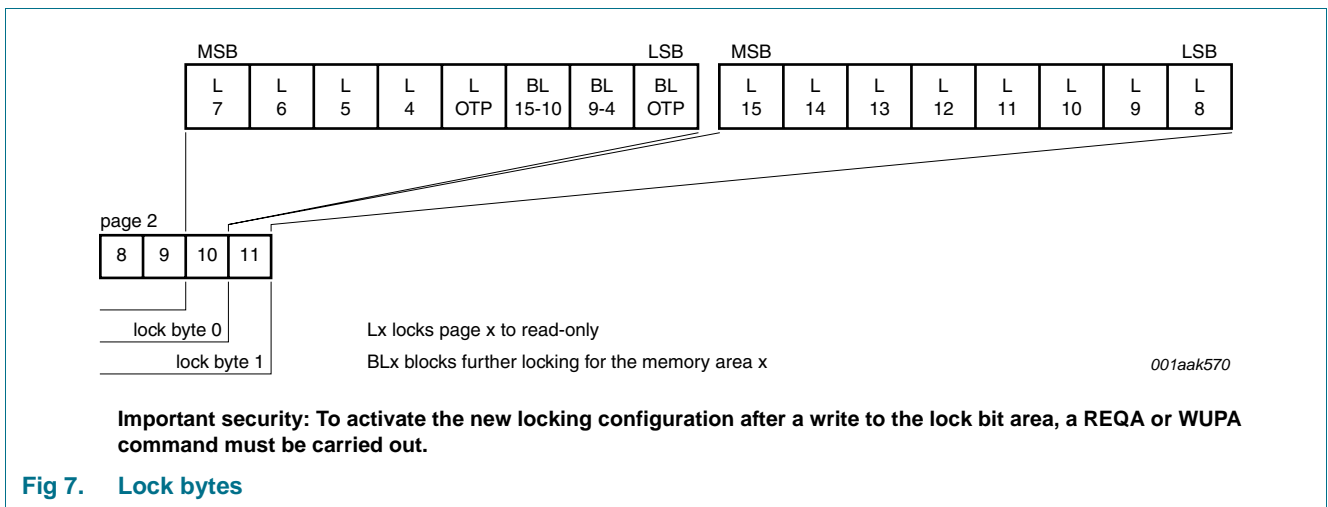
In accordance with ISO/IEC 14443-3 Check Byte0 (BCC0) is defined as  $CT \oplus SN0 \oplus SN1 \oplus SN2$  and Check Byte 1 (BCC1) is defined as  $SN3 \oplus SN4 \oplus SN5 \oplus SN6$ .

SN0 holds the Manufacturer ID for NXP Semiconductors (04h) in accordance with ISO/IEC 14443-3 and ISO/IEC 7816-6 AMD.1

8.5.2 Lock bytes

The bits of byte 02h and 03h of page 02h represent the field programmable read-only locking mechanism. Each page from 03h (OTP) to 0Eh can be individually locked by setting the corresponding locking bit Lx to logic 1 to prevent further write access. After locking, the page becomes read-only memory.

The three least significant bits of lock byte 0 are the block-locking bits. Bit 2 deals with pages 0Eh to 10h, bit 01h deals with pages 09h to 04h and bit 00h deals with page 03h (OTP). Once the block-locking bits are set, the locking configuration for the corresponding memory area is frozen.

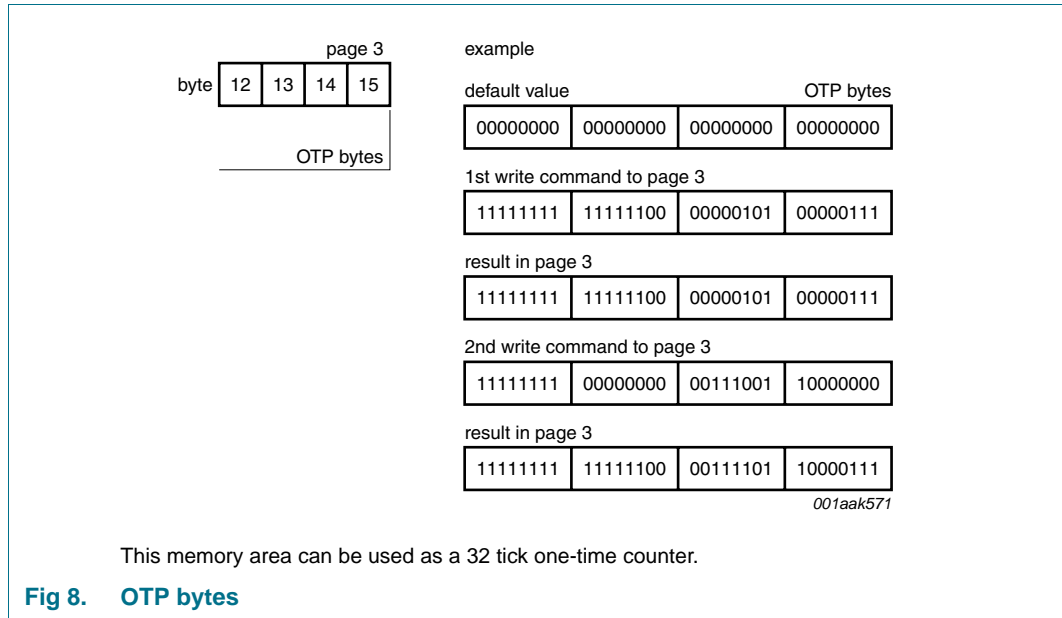


In [Figure 7](#) for example if BL15-10 is set to logic 1, then bits L15 to L10 (lock byte 2 bit[7:2]) can no longer be changed. The locking and block-locking bits are set by a WRITE command to page 2. Bytes 2 and 3 of the WRITE command, and the contents of the lock bytes are bitwise OR'ed and the result then becomes the new contents of the lock bytes. This process is irreversible if a bit is set to logic 1, it cannot be changed back to logic 0.

The contents of bytes 0 and 1 of page 2 are unaffected by the corresponding data bytes of the WRITE command.

### 8.5.3 OTP bytes

Page 03h is the OTP page and it is preset so that all bits are set to logic 0 after production. These bytes can be bitwise modified using the WRITE command.



The WRITE command bytes and the current contents of the OTP bytes are bitwise OR'ed. The result is the new OTP byte contents. This process is irreversible and if a bit is set to logic 1, it cannot be changed back to logic 0.

### 8.5.4 Data pages

Pages 04h to 15h are the user read/write area.

After production the data pages are initialized to the following values:

- Page 04h is initialized to FFh
- Pages 05h to 15h are initialized to 00h

8.6 Command set

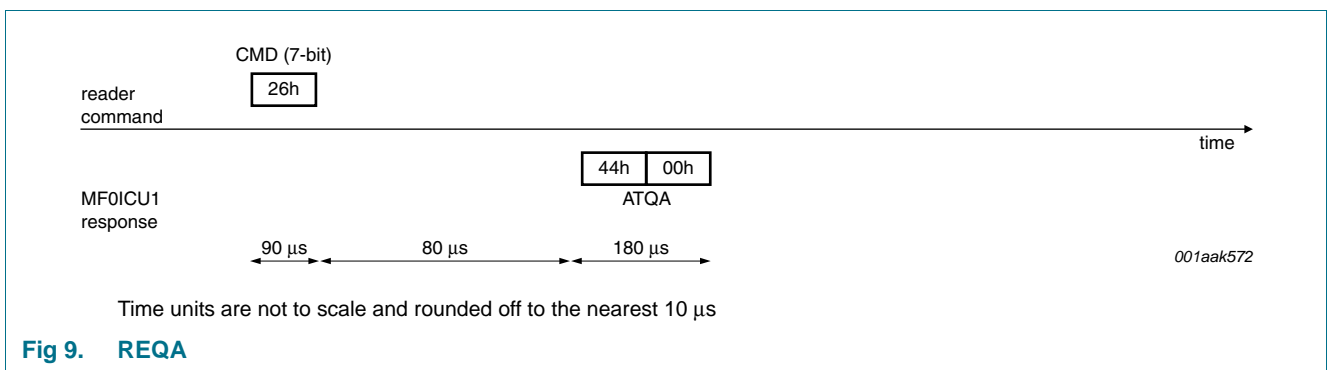
The MF0ICU1 comprises the following command set:

8.6.1 REQA

Table 5. REQA

Command	Code	Parameter	Data	Integrity mechanism	Response
REQA	26h (7-bit)	-	-	parity	ATQA 44h

The MF0ICU1 accepts the REQA command only in the idle state. The response is the 2-byte ATQA (44h). REQA and ATQA commands are fully implemented in accordance with ISO/IEC 14443-3.

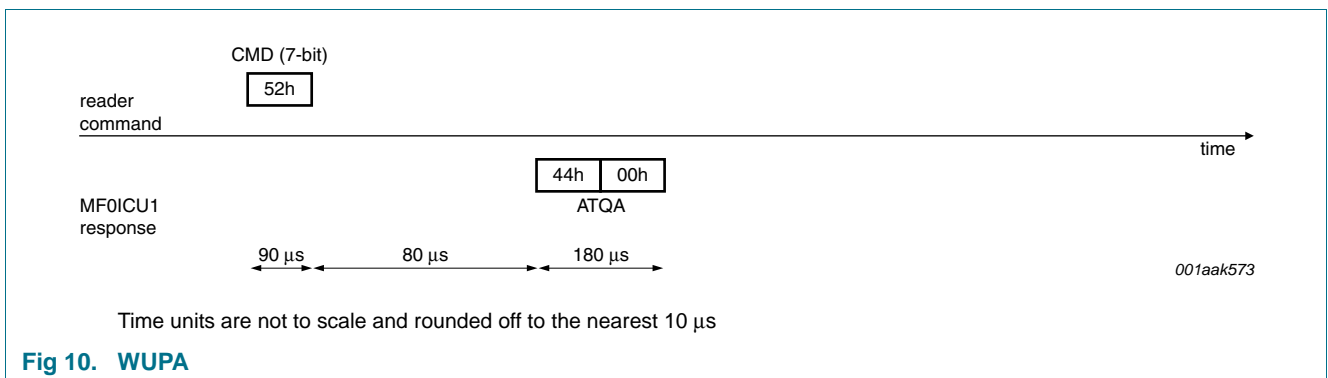


8.6.2 WUPA

Table 6. WUPA

Command	Code	Parameter	Data	Integrity mechanism	Response
WUPA	52h (7-bit)	-	-	parity	ATQA 44h

The MF0ICU1 accepts the WUPA command only in the idle and halt states. The response is the 2-byte ATQA (44h). WUPA command is fully implemented in accordance with ISO/IEC 14443-3.

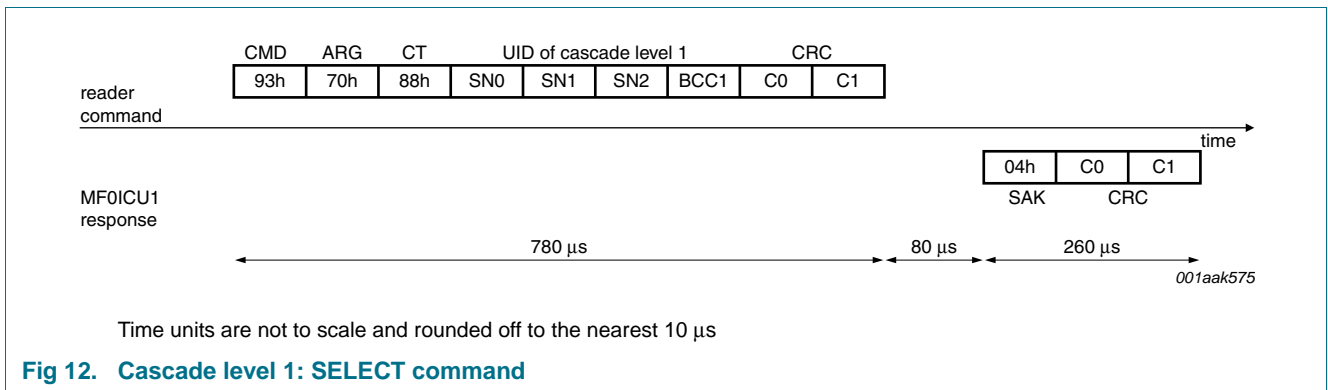
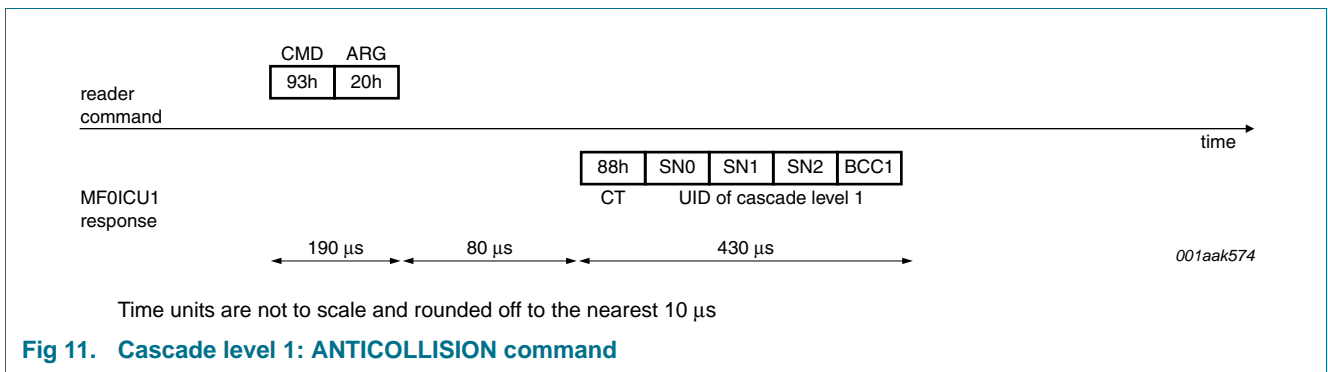


8.6.3 Cascade level 1: ANTICOLLISION and SELECT commands

Table 7. Cascade level 1: ANTICOLLISION and SELECT commands

Command	Code	Parameter	Data	Integrity mechanism	Response
ANTICOLLISION	93h	20h to 67h	part of the UID	parity	parts of UID
SELECT	93h	70h	UID: first 3 bytes	parity, BCC, CRC	SAK (04h)

The ANTICOLLISION and SELECT commands are based on the same command code. Only the Parameter byte is different. This byte is as the 70h definition in case of the SELECT command. The MF0ICU1 accepts these commands only in the Ready 1 state. The response is part 1 of the UID.

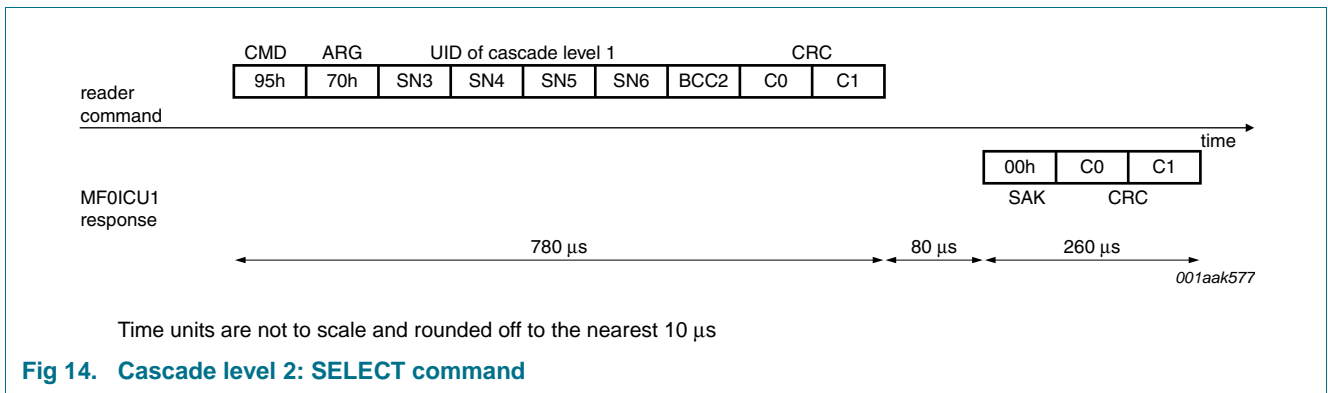
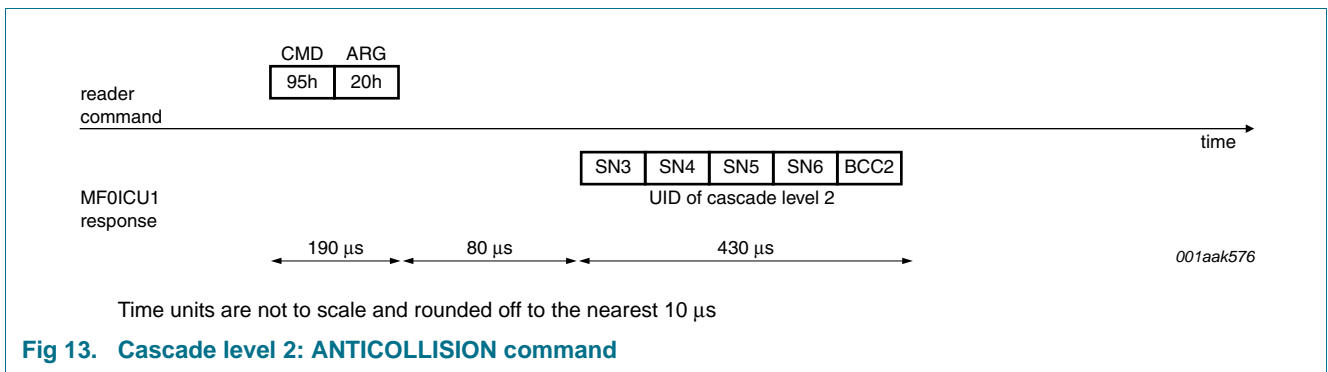


8.6.4 Cascade level 2: ANTICOLLISION and SELECT commands

Table 8. Cascade level 2: ANTICOLLISION and SELECT commands

Command	Code	Parameter	Data	Integrity mechanism	Response
ANTICOLLISION	95h	20h to 67h	part of the UID	parity	parts of UID
SELECT	95h	70h	UID: second 4 bytes	parity, BCC, CRC	SAK (00h)

The ANTICOLLISION and SELECT commands are based on the same command code. Only the Parameter byte is different. This byte is as the 70h definition in case of the SELECT command. The MF0ICU1 accepts these commands only in the Ready 2 state. The response is part 2 of the UID.





8.6.5 READ

Table 9. READ

Command	Code	Parameter address	Data	Integrity mechanism	Response
READ	30h	00h to 0Fh	-	CRC	16-byte Date

The READ command needs the page address as a parameter. Only addresses 00h to 0Fh are decoded. The MF0ICU1 returns a NAK for higher addresses. The MF0ICU1 responds to the READ command by sending 16 bytes starting from the page address defined by the command argument. For example; if address (ADR) is 03h then pages 03h, 04h, 05h, 06h are returned. A roll-back is implemented for example; if address (ADR) is 0Eh, then the contents of pages 0Eh, 0Fh, 00h and 01h are returned).

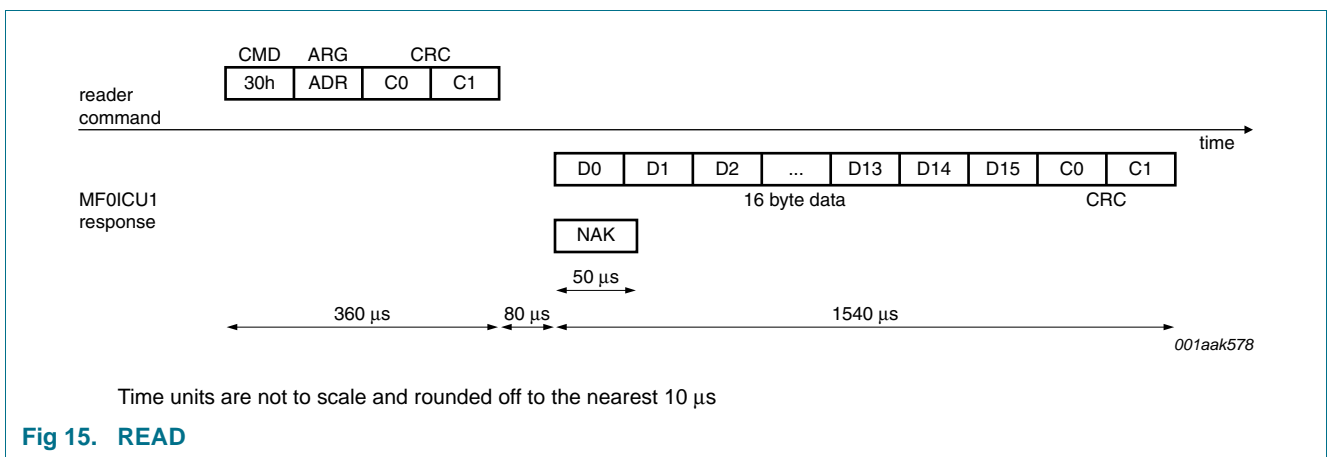


Fig 15. READ

8.6.6 HALT

Table 10. HALT

Command	Code	Parameter address	Data	Integrity mechanism	Response
HALT	50h	00h	-	parity, CRC	passive ACK, NAK

The HALT command is used to set the MF0ICU1 ICs into a different wait state (halt instead of idle), enabling devices whose UIDs are already known because they have passed the anticollision procedure, to be separated from devices yet to be identified by their UIDs. This mechanism is a very efficient way of finding all contactless devices in the PCD field.

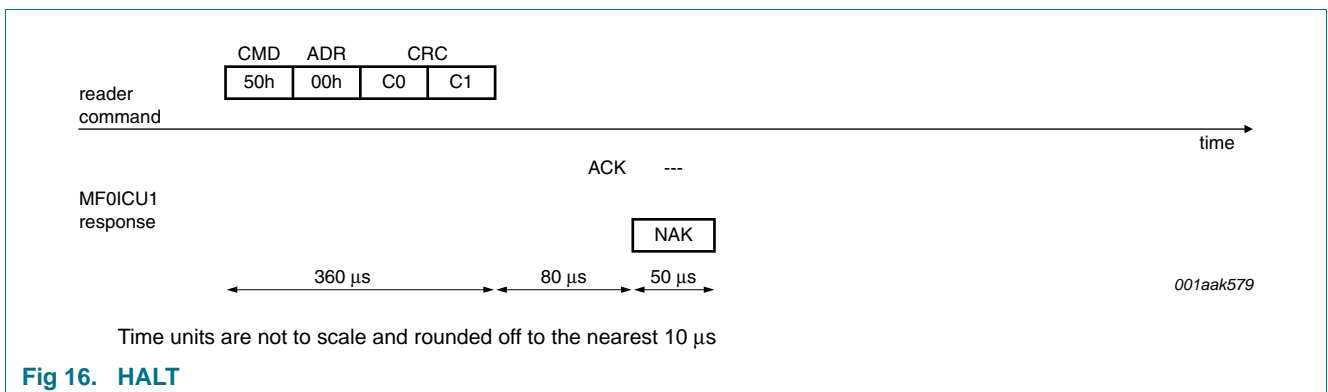


Fig 16. HALT

8.6.7 WRITE

Table 11. WRITE

Command	Code	Parameter address	Data	Code	Parameter
WRITE	A2h	00h to 0Fh	4-byte	A2h	0 to 7

The WRITE command is used to program the lock bytes in page 02h, the OTP bytes in page 03h and the data bytes in pages 04h to 0Fh. A WRITE command is performed page-wise, programming 4 bytes in a row.

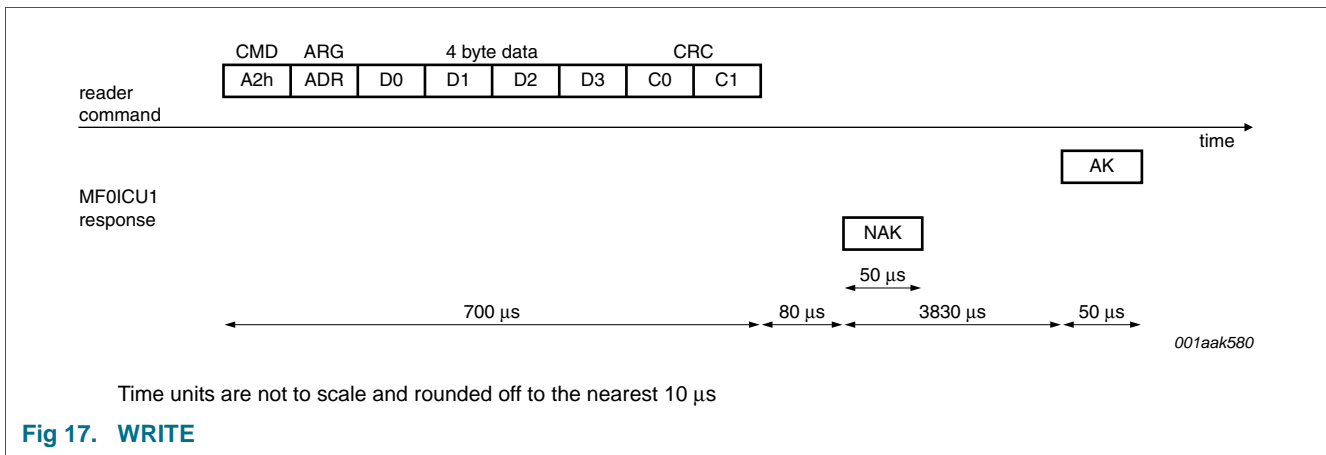


Fig 17. WRITE

8.6.8 COMPATIBILITY WRITE

Table 12. COMPATIBILITY WRITE

Command	Code	Parameter address	Data	Integrity mechanism	Response
COMPATIBILITY WRITE	A0h	00h to 0Fh	16-byte	parity, CRC	ACK or NAK

The COMPATIBILITY WRITE command was implemented to accommodate the established MIFARE PCD infrastructure. Even though 16 bytes are transferred to the MF0ICU1, only the least significant 4 bytes (bytes 0 to 3) are written to the specified address. It is recommended to set the remaining bytes 04h to 0Fh to all logic 0.

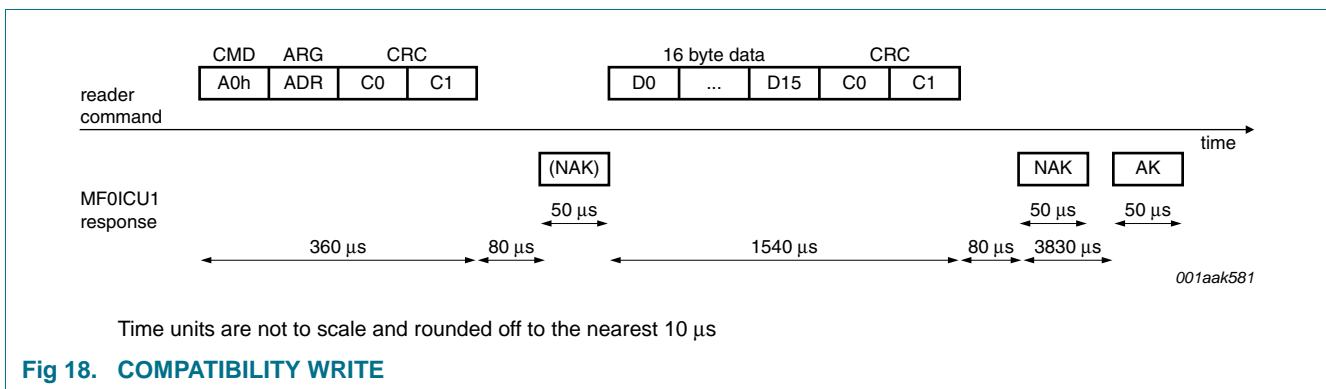


Fig 18. COMPATIBILITY WRITE

## 8.7 Summary of relevant data for device identification

**Table 13. Summary of relevant data for device identification**

Code	Type	Value	Binary Format	Remark
ATQA	2-byte	44h	0000 0000 0100 0100; 1 <sup>st</sup> 1 indicates cascade level 2 2 <sup>nd</sup> 1 indicates MIFARE family	hard coded
CT	1-byte	88h	1000 1000	hard coded
	cascade tag		ensures collision with cascade level 1 products	
SAK (cascade level 1)	1-byte	04h	0000 0100; 1 indicates additional cascade level	hard coded
SAK (cascade level 2)	1-byte	00h	0000 0000; indicates complete UID and MF0ICU1 functionality	hard coded
manufacturer Byte	1-byte	04h	0000 0100; indicates manufacturer NXP Semiconductors	in accordance with ISO/IEC 14443-3 and ISO/IEC 7816-6 AMD.1

## 9. Limiting values

**Table 14. Limiting values**

*In accordance with the Absolute Maximum Rating System (IEC 60134)*<sup>[1]</sup>

Symbol	Parameter	Conditions	Min	Max <sup>[2][3]</sup>	Unit
$I_I$	input current		-	30	mA
$T_{stg}$	storage temperature		-55	125	°C
$T_{amb}$	ambient temperature		-25	70	°C
$V_{ESD}$	electrostatic discharge voltage	measured between pins LA and LB	<sup>[4]</sup> 2	-	kV
$I_{lu}$	latch-up current		±100	-	mA

[1] Exposure to limiting values for extended periods may affect device reliability.

[2] Stresses above one or more of the limiting values may cause permanent damage to the device.

[3] These are stress ratings only. Operation of the device at these or any other conditions above those given in [Section 10.1 "Electrical characteristics"](#) of the specification is not implied.

[4] MIL Standard 883-C method 3015; Human body model: C = 100 pF, R = 1.5 kΩ.

## 10. Characteristics

### 10.1 Electrical characteristics

Table 15. Characteristics

Symbol	Parameter	Conditions	Min	Typ	Max <sup>[1][2]</sup>	Unit
$f_i$	input frequency		-	13.56	-	MHz
$C_i$	input capacitance	17 pF version	<sup>[3]</sup> 14.85	17.0	20.13	pF
		50 pF version	<sup>[3]</sup> 42.5	50.0	57.5	pF
<b>EEPROM characteristics</b>						
$t_{cy(W)}$	write cycle time		-	3.8	-	ms
$t_{ret}$	retention time	$T_{amb} = 22\text{ °C}$	5	-	-	year
$N_{endu(W)}$	write endurance	$T_{amb} = 22\text{ °C}$	10000	-	-	cycle

[1] Stresses above one or more of the limiting values may cause permanent damage to the device.

[2] These are stress ratings only. Operation of the device at these or any other conditions above those given in the Characteristics section of the specification is not implied.

[3] LCR meter HP 4285:  $T_{amb} = 22\text{ °C}$ , Cp-D,  $f_i = 13.56\text{ MHz}$ , 2 Veff.

**Remark:** Exposure to limiting values for extended periods may affect device reliability

11. Package outline

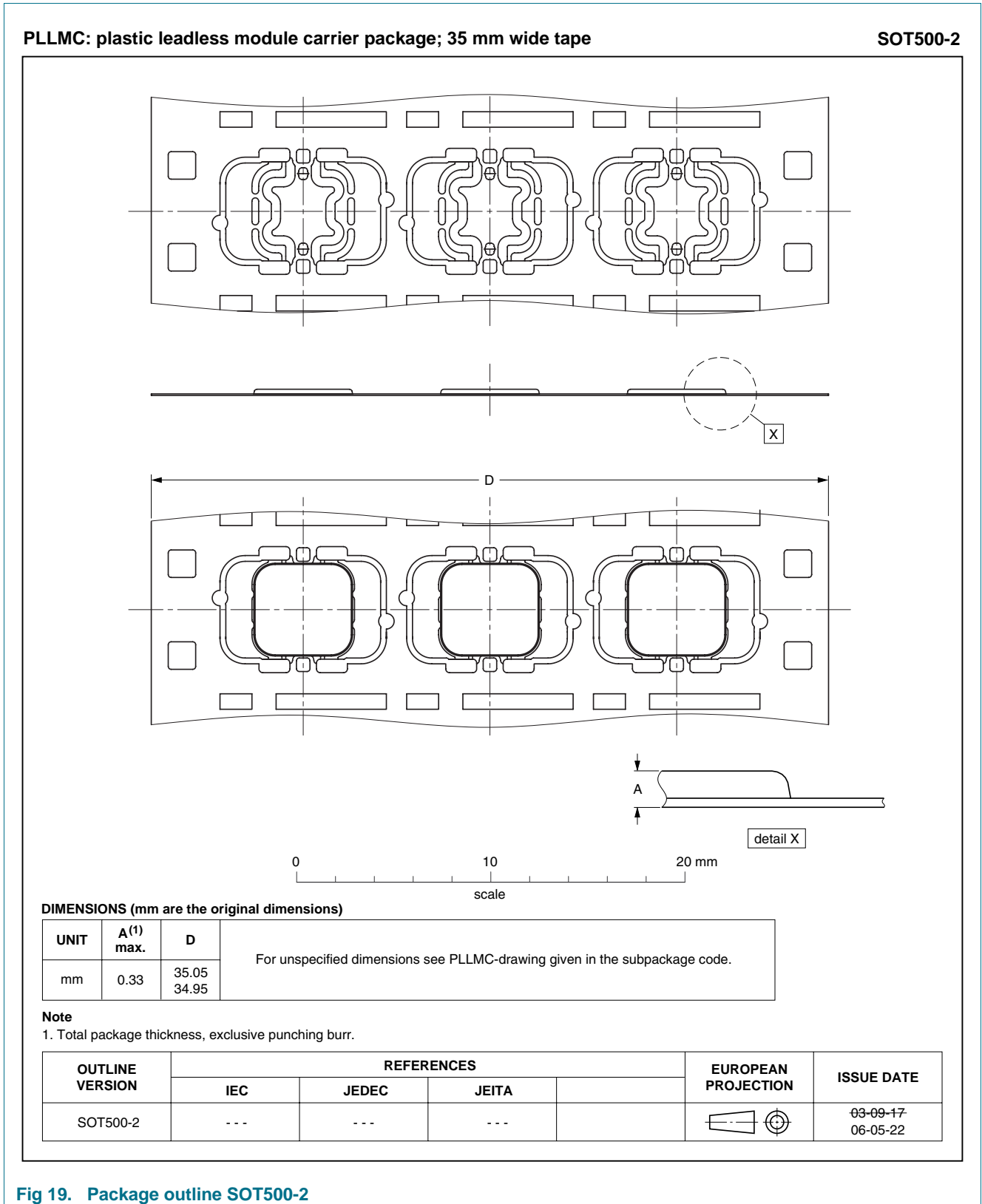


Fig 19. Package outline SOT500-2

## 12. Abbreviations

**Table 16. Abbreviations**

Acronym	Description
ARG	Argument
ATQA	Answer To Request (type A)
BCC	Block Check Character
CMD	Command
CRC	Cyclic Redundancy Check
CT	Cascade Tag
EEPROM	Electrically Erasable Programmable Read-Only Memory
IV	Initial Value
LSB	Least Significant Bit
MSB	Most Significant Bit
NAK	Negative Acknowledge
OTP	One-Time Programmable
Passive ACK	Passive (implicit) ACKnowledge without PICC answer
PCD	Proximity Coupling Device
PGDW	Potential Good Dies per Wafer
PICC	Proximity Integrated Circuit Card
POR	Power-On Reset
REQA	Request Answer (type A)
RF	Radio Frequency
SAK	Select ACKnowledge (type A)
UID	Unique IDentifier/IDentification
WUPA	Wake-UP command (type A)

## 13. References

---

- [1] **ISO/IEC 14443 A** — International Organization for Standardization/International Electrotechnical Commission: Identification cards - Contactless integrated circuit(s) cards - Proximity cards, part 1-4, Type A
- [2] **MIFARE Interface Platform Type Identification Procedure** — Application note, BL-ID Document number 0184, Version number \*\*
- [3] **MIFARE ISO/IEC 14443 PICC Selection** — Application note, BL-ID Document number 1308, Version number \*\*
- [4] **MIFARE Ultralight Features and Hints** — Application note, BL-ID Document number 0731, Version number \*\*
- [5] **MIFARE Ultralight as Type 2 Tag** — Application note, BL-ID Document number 1303, Version number \*\*
- [6] **MIFARE (Card) Coil Design Guide** — Application note, BL-ID Document number 0117, Version number \*\*

## 14. Revision history

Table 17. Revision history

Document ID	Release date	Data sheet status	Change notice	Supersedes
MF0ICU1 v.3.8	20101222	Product data sheet	-	MF0ICU1_37
Modifications:	<ul style="list-style-type: none"> <li>Unit of write endurance corrected in cycles</li> </ul>			
MF0ICU1_37	20100414	Product data sheet	-	028636
Modifications:	<ul style="list-style-type: none"> <li>Figure 4 “Chip orientation and bondpad locations”: format updated</li> </ul>			
028636	20100212	Product data sheet	-	028635
Modifications:	<ul style="list-style-type: none"> <li>Updated information on memory content after production</li> <li>Information on laser dicing types included (no separate wafer addendum needed)</li> <li>Packaging information included</li> <li>Fig. 4 “Chip orientation and bondpad locations”: format updated</li> <li>Multiple minor changes</li> <li>Section 5 “Legal information”: updated</li> </ul>			
028635	20080820	Product data sheet	-	028634
Modifications:	<ul style="list-style-type: none"> <li>Section 1 “General description” and Section 2 “Features”: rephrasing of sentences</li> </ul>			
028634	20080204	Product data sheet	-	028633
Modifications:	<ul style="list-style-type: none"> <li>Update</li> <li>General rewording of MIFARE designation and commercial conditions</li> </ul>			
028633	July 2008	Product data sheet	-	028632
Modifications:	<ul style="list-style-type: none"> <li>exchange of figures 11 and 13</li> </ul>			
028632	April 2007	Product data sheet	-	028631
Modifications:	<ul style="list-style-type: none"> <li>The format of this data sheet has been redesigned to comply with the new identity guidelines of NXP Semiconductors.</li> <li>Legal texts have been adapted to the new company name.</li> </ul>			
028631	March 2007	Product data sheet	-	028630
028630	March 2003	Product data sheet	-	028625
028625	March 2003	Preliminary data sheet	-	028624
028624	February 2003	Preliminary data sheet	-	028623
028623	January 2003	Preliminary data sheet	-	028622
028622	January 2003	Preliminary data sheet	-	028621
028621	January 2003	Preliminary data sheet	-	028620
028620		Preliminary data sheet	-	028610
028610		Objective data sheet	-	-



## 15. Legal information

### 15.1 Data sheet status

Document status <sup>[1][2]</sup>	Product status <sup>[3]</sup>	Definition
Objective [short] data sheet	Development	This document contains data from the objective specification for product development.
Preliminary [short] data sheet	Qualification	This document contains data from the preliminary specification.
Product [short] data sheet	Production	This document contains the product specification.

[1] Please consult the most recently issued document before initiating or completing a design.

[2] The term 'short data sheet' is explained in section "Definitions".

[3] The product status of device(s) described in this document may have changed since this document was published and may differ in case of multiple devices. The latest product status information is available on the Internet at URL <http://www.nxp.com>.

### 15.2 Definitions

**Draft** — The document is a draft version only. The content is still under internal review and subject to formal approval, which may result in modifications or additions. NXP Semiconductors does not give any representations or warranties as to the accuracy or completeness of information included herein and shall have no liability for the consequences of use of such information.

**Short data sheet** — A short data sheet is an extract from a full data sheet with the same product type number(s) and title. A short data sheet is intended for quick reference only and should not be relied upon to contain detailed and full information. For detailed and full information see the relevant full data sheet, which is available on request via the local NXP Semiconductors sales office. In case of any inconsistency or conflict with the short data sheet, the full data sheet shall prevail.

**Product specification** — The information and data provided in a Product data sheet shall define the specification of the product as agreed between NXP Semiconductors and its customer, unless NXP Semiconductors and customer have explicitly agreed otherwise in writing. In no event however, shall an agreement be valid in which the NXP Semiconductors product is deemed to offer functions and qualities beyond those described in the Product data sheet.

### 15.3 Disclaimers

**Limited warranty and liability** — Information in this document is believed to be accurate and reliable. However, NXP Semiconductors does not give any representations or warranties, expressed or implied, as to the accuracy or completeness of such information and shall have no liability for the consequences of use of such information.

In no event shall NXP Semiconductors be liable for any indirect, incidental, punitive, special or consequential damages (including - without limitation - lost profits, lost savings, business interruption, costs related to the removal or replacement of any products or rework charges) whether or not such damages are based on tort (including negligence), warranty, breach of contract or any other legal theory.

Notwithstanding any damages that customer might incur for any reason whatsoever, NXP Semiconductors' aggregate and cumulative liability towards customer for the products described herein shall be limited in accordance with the *Terms and conditions of commercial sale* of NXP Semiconductors.

**Right to make changes** — NXP Semiconductors reserves the right to make changes to information published in this document, including without limitation specifications and product descriptions, at any time and without notice. This document supersedes and replaces all information supplied prior to the publication hereof.

**Suitability for use** — NXP Semiconductors products are not designed, authorized or warranted to be suitable for use in life support, life-critical or safety-critical systems or equipment, nor in applications where failure or

malfunction of an NXP Semiconductors product can reasonably be expected to result in personal injury, death or severe property or environmental damage. NXP Semiconductors accepts no liability for inclusion and/or use of NXP Semiconductors products in such equipment or applications and therefore such inclusion and/or use is at the customer's own risk.

**Applications** — Applications that are described herein for any of these products are for illustrative purposes only. NXP Semiconductors makes no representation or warranty that such applications will be suitable for the specified use without further testing or modification.

Customers are responsible for the design and operation of their applications and products using NXP Semiconductors products, and NXP Semiconductors accepts no liability for any assistance with applications or customer product design. It is customer's sole responsibility to determine whether the NXP Semiconductors product is suitable and fit for the customer's applications and products planned, as well as for the planned application and use of customer's third party customer(s). Customers should provide appropriate design and operating safeguards to minimize the risks associated with their applications and products.

NXP Semiconductors does not accept any liability related to any default, damage, costs or problem which is based on any weakness or default in the customer's applications or products, or the application or use by customer's third party customer(s). Customer is responsible for doing all necessary testing for the customer's applications and products using NXP Semiconductors products in order to avoid a default of the applications and the products or of the application or use by customer's third party customer(s). NXP does not accept any liability in this respect.

**Limiting values** — Stress above one or more limiting values (as defined in the Absolute Maximum Ratings System of IEC 60134) will cause permanent damage to the device. Limiting values are stress ratings only and (proper) operation of the device at these or any other conditions above those given in the Recommended operating conditions section (if present) or the Characteristics sections of this document is not warranted. Constant or repeated exposure to limiting values will permanently and irreversibly affect the quality and reliability of the device.

**Terms and conditions of commercial sale** — NXP Semiconductors products are sold subject to the general terms and conditions of commercial sale, as published at <http://www.nxp.com/profile/terms>, unless otherwise agreed in a valid written individual agreement. In case an individual agreement is concluded only the terms and conditions of the respective agreement shall apply. NXP Semiconductors hereby expressly objects to applying the customer's general terms and conditions with regard to the purchase of NXP Semiconductors products by customer.

**No offer to sell or license** — Nothing in this document may be interpreted or construed as an offer to sell products that is open for acceptance or the grant, conveyance or implication of any license under any copyrights, patents or other industrial or intellectual property rights.

**Export control** — This document as well as the item(s) described herein may be subject to export control regulations. Export might require a prior authorization from national authorities.

**Quick reference data** — The Quick reference data is an extract of the product data given in the Limiting values and Characteristics sections of this document, and as such is not complete, exhaustive or legally binding.

**Non-automotive qualified products** — Unless this data sheet expressly states that this specific NXP Semiconductors product is automotive qualified, the product is not suitable for automotive use. It is neither qualified nor tested in accordance with automotive testing or application requirements. NXP Semiconductors accepts no liability for inclusion and/or use of non-automotive qualified products in automotive equipment or applications.

In the event that customer uses the product for design-in and use in automotive applications to automotive specifications and standards, customer (a) shall use the product without NXP Semiconductors' warranty of the product for such automotive applications, use and specifications, and (b) whenever customer uses the product for automotive applications beyond

NXP Semiconductors' specifications such use shall be solely at customer's own risk, and (c) customer fully indemnifies NXP Semiconductors for any liability, damages or failed product claims resulting from customer design and use of the product for automotive applications beyond NXP Semiconductors' standard warranty and NXP Semiconductors' product specifications.

## 15.4 Trademarks

Notice: All referenced brands, product names, service names and trademarks are the property of their respective owners.

**MIFARE** — is a trademark of NXP B.V.

**MIFARE Ultralight** — is a trademark of NXP B.V.

## 16. Contact information

For more information, please visit: <http://www.nxp.com>

For sales office addresses, please send an email to: [salesaddresses@nxp.com](mailto:salesaddresses@nxp.com)

## 17. Tables

Table 1. Ordering information	3	Table 9. READ	17
Table 2. Bonding pad assignments to smart card contactless module	4	Table 10. HALT	17
Table 3. Specifications	5	Table 11. WRITE	18
Table 4. Memory organization	11	Table 12. COMPATIBILITY WRITE	18
Table 5. REQA	14	Table 13. Summary of relevant data for device identification	19
Table 6. WUPA	14	Table 14. Limiting values	19
Table 7. Cascade level 1: ANTICOLLISION and SELECT commands	15	Table 15. Characteristics	20
Table 8. Cascade level 2: ANTICOLLISION and SELECT commands	16	Table 16. Abbreviations	22
		Table 17. Revision history	24

## 18. Figures

Fig 1. MIFARE card reader	2
Fig 2. Block diagram	4
Fig 3. Contact assignments for SOT500-2 (MOA4)	4
Fig 4. Chip orientation and bondpad locations	6
Fig 5. Communication principle state diagram - 4-byte; 16-byte	8
Fig 6. UID/serial number	11
Fig 7. Lock bytes	12
Fig 8. OTP bytes	13
Fig 9. REQA	14
Fig 10. WUPA	14
Fig 11. Cascade level 1: ANTICOLLISION command	15
Fig 12. Cascade level 1: SELECT command	15
Fig 13. Cascade level 2: ANTICOLLISION command	16
Fig 14. Cascade level 2: SELECT command	16
Fig 15. READ	17
Fig 16. HALT	17
Fig 17. WRITE	18
Fig 18. COMPATIBILITY WRITE	18
Fig 19. Package outline SOT500-2	21

19. Contents

<b>1</b>	<b>General description</b> . . . . .	<b>1</b>	<b>10</b>	<b>Characteristics</b> . . . . .	<b>20</b>
1.1	Key applications . . . . .	1	10.1	Electrical characteristics . . . . .	20
1.2	Contactless energy and data transfer . . . . .	1	<b>11</b>	<b>Package outline</b> . . . . .	<b>21</b>
1.3	Anticollision . . . . .	1	<b>12</b>	<b>Abbreviations</b> . . . . .	<b>22</b>
1.3.1	Cascaded Unique IDentification (UID) . . . . .	2	<b>13</b>	<b>References</b> . . . . .	<b>23</b>
1.4	Security . . . . .	2	<b>14</b>	<b>Revision history</b> . . . . .	<b>24</b>
1.5	Delivery options . . . . .	2	<b>15</b>	<b>Legal information</b> . . . . .	<b>25</b>
<b>2</b>	<b>Features and benefits</b> . . . . .	<b>3</b>	15.1	Data sheet status . . . . .	25
2.1	MIFARE RF interface ISO/IEC 14443 A . . . . .	3	15.2	Definitions . . . . .	25
2.2	EEPROM . . . . .	3	15.3	Disclaimers . . . . .	25
<b>3</b>	<b>Ordering information</b> . . . . .	<b>3</b>	15.4	Trademarks . . . . .	26
<b>4</b>	<b>Block diagram</b> . . . . .	<b>4</b>	<b>16</b>	<b>Contact information</b> . . . . .	<b>26</b>
<b>5</b>	<b>Pinning information</b> . . . . .	<b>4</b>	<b>17</b>	<b>Tables</b> . . . . .	<b>27</b>
5.1	Contactless smart card module . . . . .	4	<b>18</b>	<b>Figures</b> . . . . .	<b>27</b>
<b>6</b>	<b>Mechanical specification</b> . . . . .	<b>5</b>	<b>19</b>	<b>Contents</b> . . . . .	<b>28</b>
6.1	Fail die identification . . . . .	5			
<b>7</b>	<b>Chip orientation and bondpad locations</b> . . . . .	<b>6</b>			
<b>8</b>	<b>Functional description</b> . . . . .	<b>7</b>			
8.1	Block description . . . . .	7			
8.2	Communication overview . . . . .	8			
8.2.1	Idle state . . . . .	9			
8.2.2	Ready 1 state . . . . .	9			
8.2.3	Ready 2 state . . . . .	9			
8.2.4	Active state . . . . .	9			
8.2.5	Halt state . . . . .	10			
8.3	Data integrity . . . . .	10			
8.4	RF interface . . . . .	10			
8.5	Memory organization . . . . .	11			
8.5.1	UID/serial number . . . . .	11			
8.5.2	Lock bytes . . . . .	12			
8.5.3	OTP bytes . . . . .	13			
8.5.4	Data pages . . . . .	13			
8.6	Command set . . . . .	14			
8.6.1	REQA . . . . .	14			
8.6.2	WUPA . . . . .	14			
8.6.3	Cascade level 1: ANTICOLLISION and SELECT commands . . . . .	15			
8.6.4	Cascade level 2: ANTICOLLISION and SELECT commands . . . . .	16			
8.6.5	READ . . . . .	17			
8.6.6	HALT . . . . .	17			
8.6.7	WRITE . . . . .	18			
8.6.8	COMPATIBILITY WRITE . . . . .	18			
8.7	Summary of relevant data for device identification . . . . .	19			
<b>9</b>	<b>Limiting values</b> . . . . .	<b>19</b>			

Please be aware that important notices concerning this document and the product(s) described herein, have been included in section 'Legal information'.