



SANYO Semiconductors

DATA SHEET

An ON Semiconductor Company

2SC3332 — NPN Epitaxial Planar Silicon Transistor High-Voltage Switching Applications

Features

- High breakdown voltage
- Excellent hFE linearity
- Wide ASO and highly resistant to breakdown
- Adoption of MBIT process

Specifications

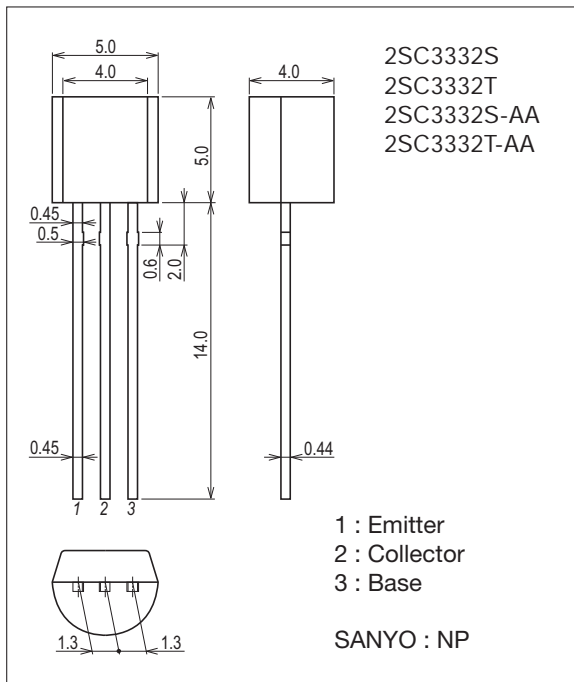
Absolute Maximum Ratings at Ta=25°C

Parameter	Symbol	Conditions	Ratings	Unit
Collector-to-Base Voltage	VCBO		180	V
Collector-to-Emitter Voltage	VCEO		160	V
Emitter-to-Base Voltage	VEBO		6	V
Collector Current	IC		0.7	A
Collector Current (Pulse)	ICP		1.5	A
Collector Dissipation	PC		700	mW
Junction Temperature	Tj		150	°C
Storage Temperature	Tstg		-55 to +150	°C

Package Dimensions

unit : mm (typ)

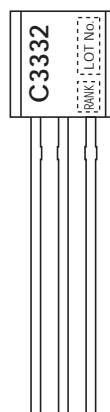
7522-002



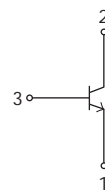
Product & Package Information

- Package : NP
- JEITA, JEDEC : SC-34A, TO-92, TO-226AA, SOT-54
- Minimum Packing Quantity : 1,500 pcs./box, 500pcs./bag

Marking



Electrical Connection



2SC3332

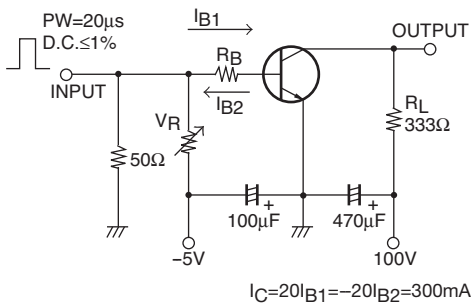
Electrical Characteristics at Ta=25°C

Parameter	Symbol	Conditions	Ratings			Unit
			min	typ	max	
Collector Cutoff Current	ICBO	V _{CB} =120V, I _E =0A			0.1	μA
Emitter Cutoff Current	IEBO	V _{EB} =4V, I _C =0A			0.1	μA
DC Current Gain	h _{FE1}	V _{CE} =5V, I _C =100mA	100*		400*	
	h _{FE2}	V _{CE} =5V, I _C =10mA	80			
Gain-Bandwidth Product	f _T	V _{CE} =10V, I _C =50mA		120		MHz
Output Capacitance	C _{ob}	V _{CB} =10V		8		pF
Collector-to-Emitter Saturation Voltage	V _{CE(sat)}	I _C =250mA, I _B =25mA		0.12	0.4	V
Base-to-Emitter Saturation Voltage	V _{BE(sat)}	I _C =250mA, I _B =25mA		0.85	1.2	V
Collector-to-Base Breakdown Voltage	V _{(BR)CBO}	I _C =10μA, I _E =0A	180			V
Collector-to-Emitter Breakdown Voltage	V _{(BR)CEO}	I _C =1mA, R _{BE} =∞	160			V
Emitter-to-Base Breakdown Voltage	V _{(BR)EBO}	I _E =10μA, I _C =0A	6			V
Turn-ON Time	t _{on}	See specified Test Circuit.		50		ns
Storage Time	t _{stg}			1000		ns
Fall Time	t _f			60		ns

* : The 2SC3332 is classified by 100mA h_{FE} as follows :

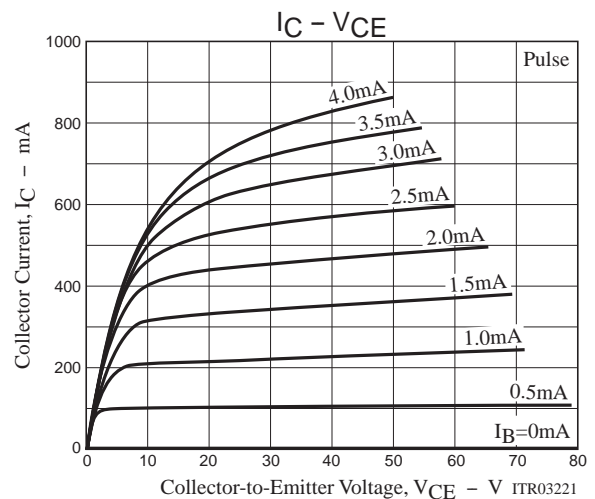
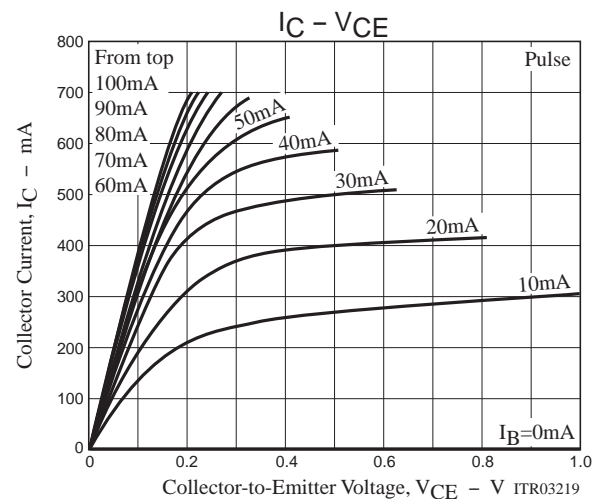
Rank	R	S	T
h _{FE}	100 to 200	140 to 280	200 to 400

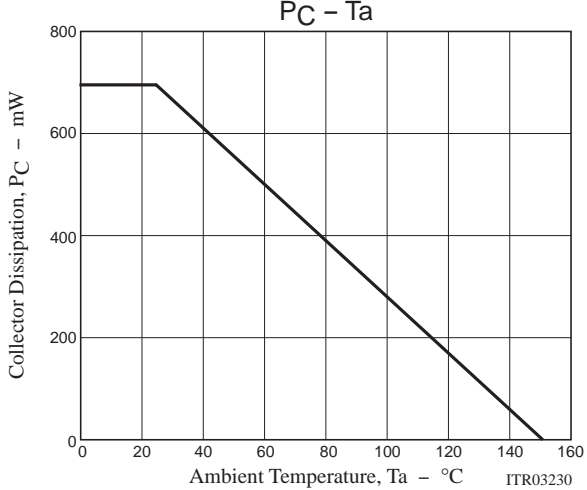
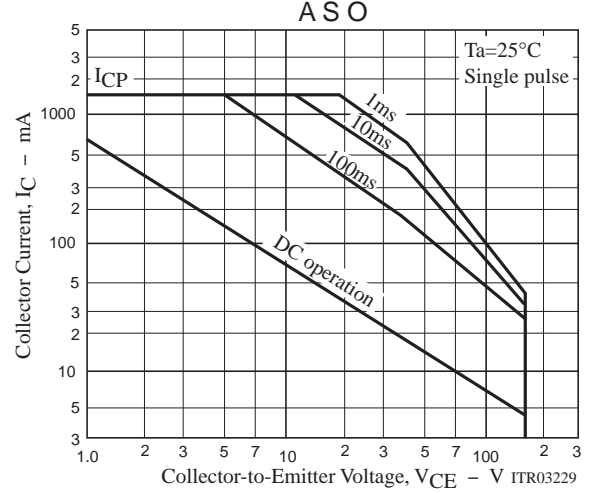
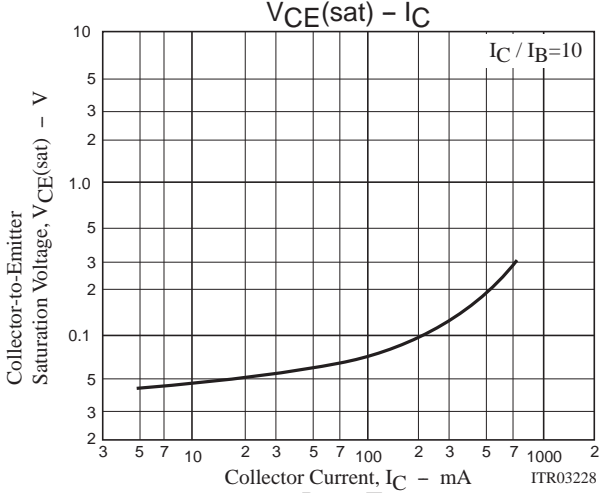
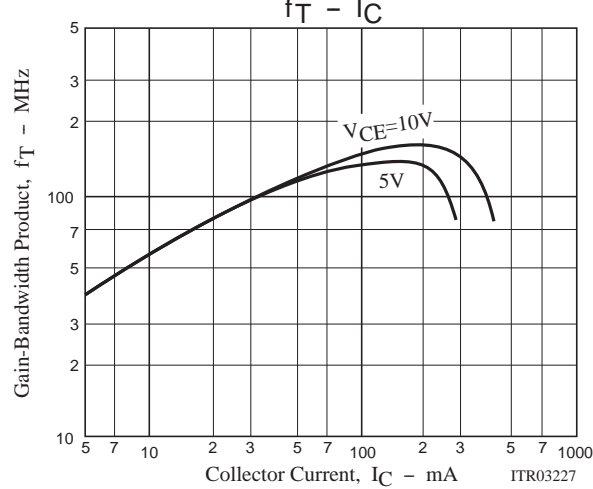
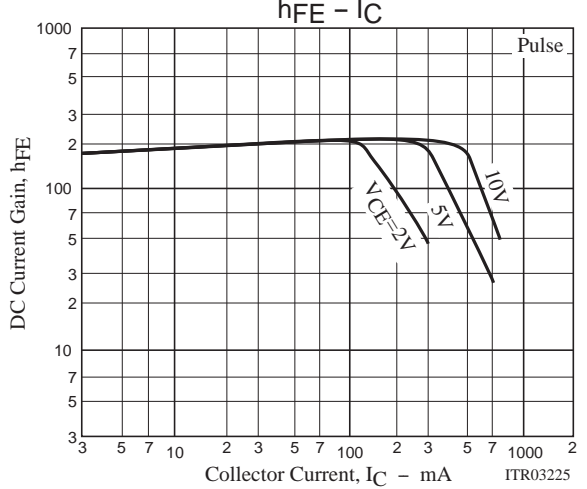
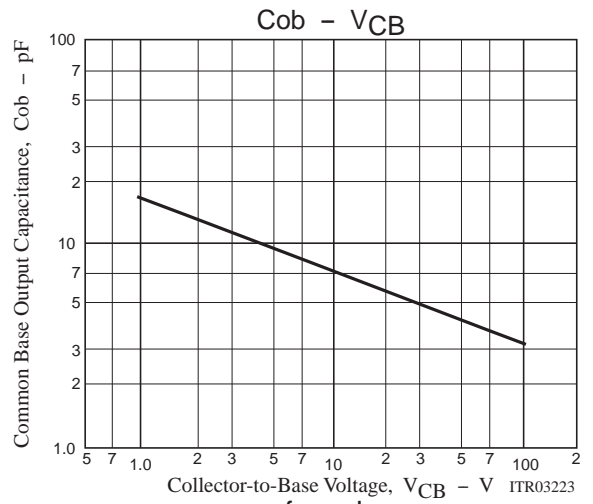
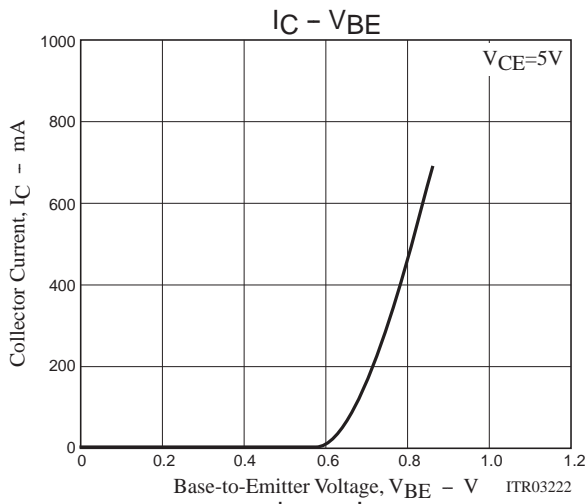
Switching Time Test Circuit



Ordering Information

Device	Package	Shipping	memo
2SC3332S	NP	500pcs./bag	Pb Free
2SC3332T	NP	500pcs./bag	
2SC3332S-AA	NP	1,500pcs./box	
2SC3332T-AA	NP	1,500pcs./box	





Taping Specification

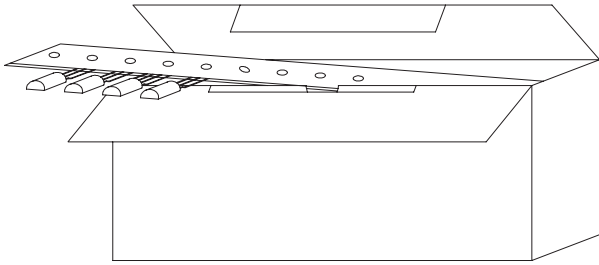
2SC3332S-AA, 2SC3332T-AA

1. Packing Format

Package Name	Packing Type	Maximum Number of devices contained (pcs)		Packing format
		Inner BOX (C-2)	number of contained	
N P	A A	Dimensions:mm (external)	1, 500	16 inner boxes contained (24, 000pcs) Dimensions:mm (external) 585×345×200
		330×45×145		

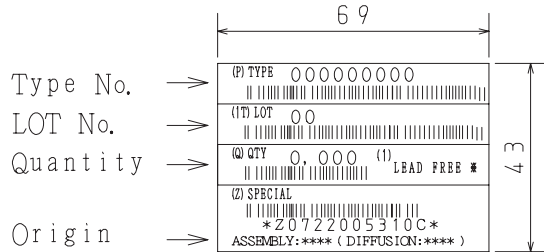
Packing method

Put zigzag folding in an inner box.



Inner box label

(unit:mm)



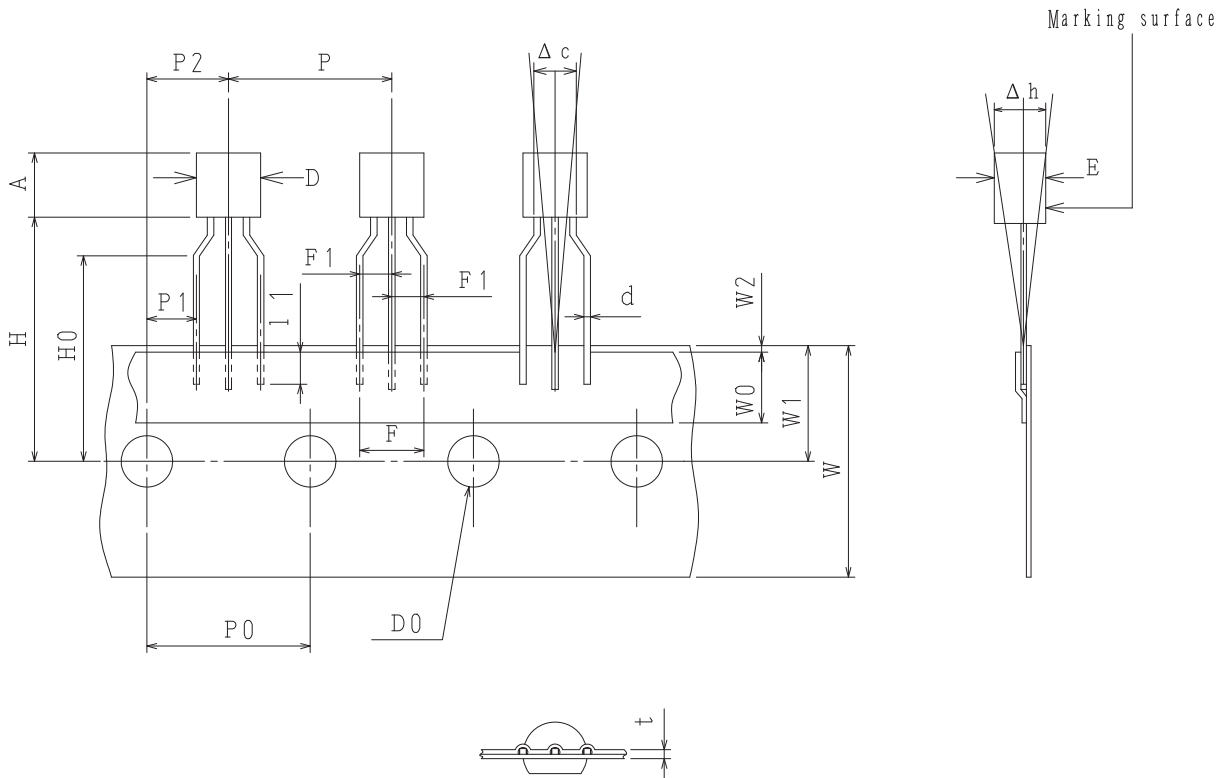
NOTE (1)

The LEAD FREE * description shows that the surface treatment of the terminal is lead free.

Label	JEITA Phase
LEAD FREE 3	JEITA Phase 3A
LEAD FREE 4	JEITA Phase 3

2. Taping specifications

2-1. Carrier tape size



2-2. Taping size standard

unit:mm

Item	Symbol	Standard	Tolerance	
Work piece outside diameter	D	5.0	± 0.2	
	E	4.0	± 0.2	
Work piece height	A	5.0	± 0.2	
Lead wire diameter	d	0.45x0.44t	± 0.1	
Bonded lead wire	l	2.0MIN		
Pitch between products	P	12.7	± 0.5	
Pitch between perforations	P0	12.7	± 0.2	
Distance between lead wire	F	5.0	$\begin{matrix} +0.8 \\ -0.2 \end{matrix}$	
Lead wire pitch distance	F1	2.5	$\begin{matrix} +0.2 \\ -0.1 \end{matrix}$	
Product inclination	Δh	0	± 2.0	
Displacement of perforations	P1	3.85	± 0.3	Measurement position is the bottom of the clinch
	P2	6.35	± 0.3	
Displacement of tape	W2	0.5MAX		Not to be displaced to the outside of the board
Tape width	W	18.0	$\begin{matrix} +1.0 \\ -0.5 \end{matrix}$	
Adhesive tape	W0	6.0	± 1.5	
Displacement of perforations	W1	9.0	± 0.5	
Work piece bottom surface position	H	19.0	± 1.0	
Insert stopper position	H0	16.0	± 0.5	
Work piece upper limit position	H1	24.5	± 1.5	
Perforations diameter	D0	$\phi 4.0$	± 0.2	
Tape thickness	t	0.6	± 0.2	
Product inclination	Δc	0	± 1.0	

Bag Packing Specification

2SC3332S, 2SC3332T

1. Packing condition

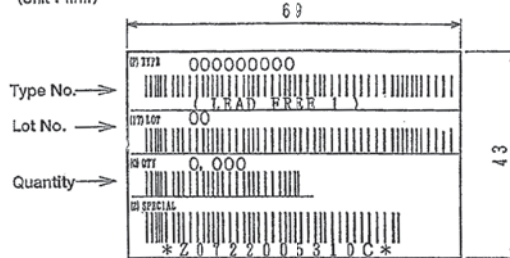
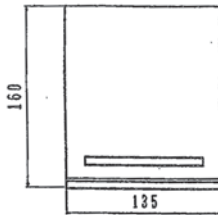
Storage package outline name	Maximum number of devices contained (pcs.)		Packing condition	
	Bags	Inner box	Devices contained	Outer box (A-1)
NP	500	B-1 Inner box dimensions : mm (external) 445×225×55	10,000	Outer box (A-1) 5 inner boxes contained 50,000 Outer box dimensions : mm (external) 470 × 250 × 300
				Outer box (A-2) 3 inner boxes contained 30,000 Outer box dimensions : mm (external) 470 × 250 × 190

3. Bar code label

(Unit : mm)

2. Bag dimensions

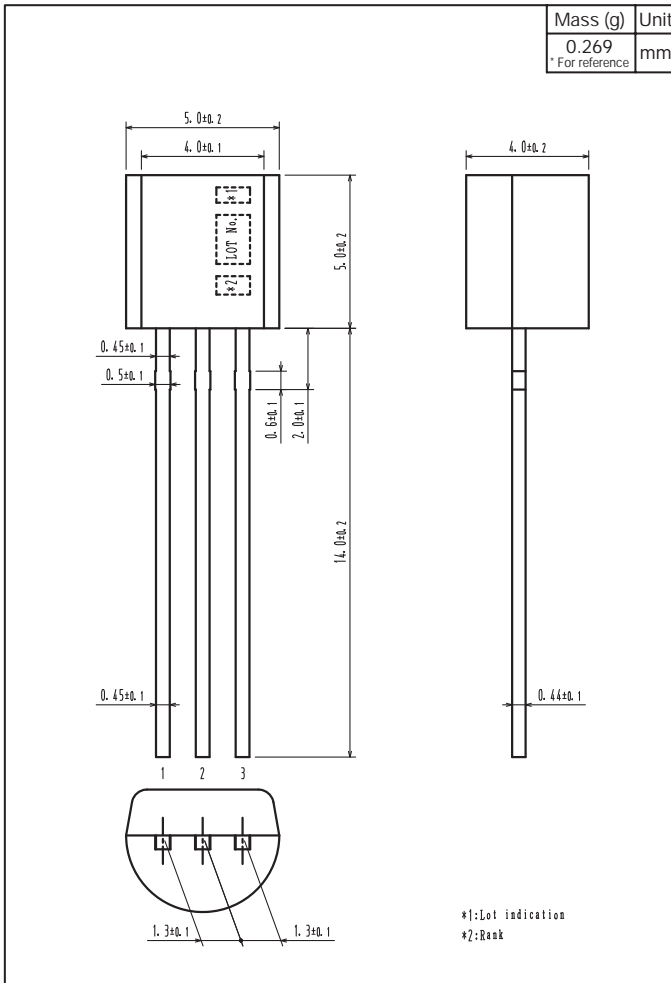
(Unit : mm)



*LEAD FREE 1 :
Lead-free External terminal surface treatment product.

Outline Drawing

2SC3332S, 2SC3332T



- Any and all SANYO Semiconductor Co.,Ltd. products described or contained herein are, with regard to "standard application", intended for the use as general electronics equipment. The products mentioned herein shall not be intended for use for any "special application" (medical equipment whose purpose is to sustain life, aerospace instrument, nuclear control device, burning appliances, transportation machine, traffic signal system, safety equipment etc.) that shall require extremely high level of reliability and can directly threaten human lives in case of failure or malfunction of the product or may cause harm to human bodies, nor shall they grant any guarantee thereof. If you should intend to use our products for new introduction or other application different from current conditions on the usage of automotive device, communication device, office equipment, industrial equipment etc. , please consult with us about usage condition (temperature, operation time etc.) prior to the intended use. If there is no consultation or inquiry before the intended use, our customer shall be solely responsible for the use.
- Specifications of any and all SANYO Semiconductor Co.,Ltd. products described or contained herein stipulate the performance, characteristics, and functions of the described products in the independent state, and are not guarantees of the performance, characteristics, and functions of the described products as mounted in the customer's products or equipment. To verify symptoms and states that cannot be evaluated in an independent device, the customer should always evaluate and test devices mounted in the customer's products or equipment.
- SANYO Semiconductor Co.,Ltd. assumes no responsibility for equipment failures that result from using products at values that exceed, even momentarily, rated values (such as maximum ratings, operating condition ranges, or other parameters) listed in products specifications of any and all SANYO Semiconductor Co.,Ltd. products described or contained herein.
- Regarding monolithic semiconductors, if you should intend to use this IC continuously under high temperature, high current, high voltage, or drastic temperature change, even if it is used within the range of absolute maximum ratings or operating conditions, there is a possibility of decrease reliability. Please contact us for a confirmation.
- SANYO Semiconductor Co.,Ltd. strives to supply high-quality high-reliability products, however, any and all semiconductor products fail or malfunction with some probability. It is possible that these probabilistic failures or malfunction could give rise to accidents or events that could endanger human lives, trouble that could give rise to smoke or fire, or accidents that could cause damage to other property. When designing equipment, adopt safety measures so that these kinds of accidents or events cannot occur. Such measures include but are not limited to protective circuits and error prevention circuits for safe design, redundant design, and structural design.
- In the event that any or all SANYO Semiconductor Co.,Ltd. products described or contained herein are controlled under any of applicable local export control laws and regulations, such products may require the export license from the authorities concerned in accordance with the above law.
- No part of this publication may be reproduced or transmitted in any form or by any means, electronic or mechanical, including photocopying and recording, or any information storage or retrieval system, or otherwise, without the prior written consent of SANYO Semiconductor Co.,Ltd.
- Any and all information described or contained herein are subject to change without notice due to product/technology improvement, etc. When designing equipment, refer to the "Delivery Specification" for the SANYO Semiconductor Co.,Ltd. product that you intend to use.
- Upon using the technical information or products described herein, neither warranty nor license shall be granted with regard to intellectual property rights or any other rights of SANYO Semiconductor Co.,Ltd. or any third party. SANYO Semiconductor Co.,Ltd. shall not be liable for any claim or suits with regard to a third party's intellectual property rights which has resulted from the use of the technical information and products mentioned above.

This catalog provides information as of September, 2012. Specifications and information herein are subject to change without notice.