

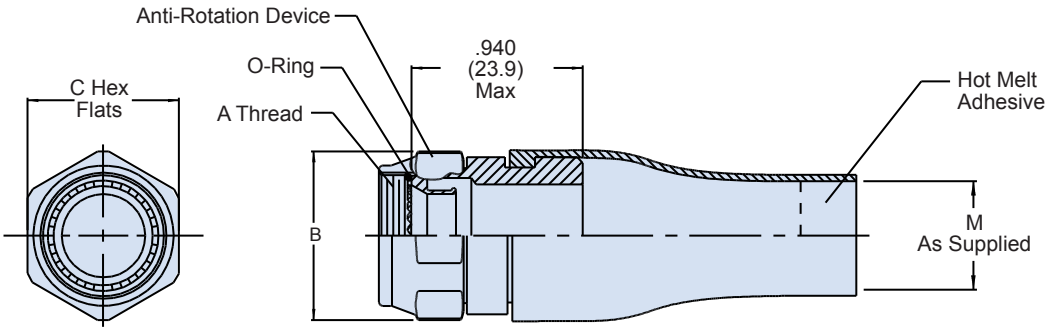
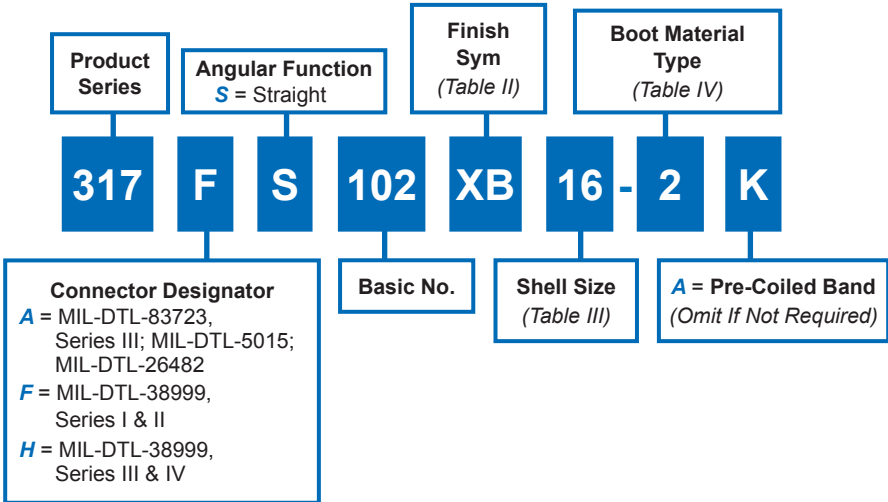


317-102 EMI/RFI Environmental Piggyback Boot Adapter, Composite with Drop-In Banding Porch

Fast and Easy Installation of Boots and EMI/RFI Shielding Bands



How To Order



Material and Finish

Coupling Nut, Sleeve, Anti-Rotation Device: High Temp. Engineering Thermoplastic (black)/N.A.
 Adapter: Table II
 O-Ring: Silicone/N.A.
 Shrink Boot: Elastomeric/N.A.
 Band: SST/Passivated

Notes

- See Table I on page 3 for front-end dimensional details.
- Assembly identified with manufacturer's name and part number, space permitting.
- Glenair 600-091 or 600-157 Series Backshell Assembly Tools are recommended for assembly and installation.
- O-Ring supplied with Connector Designator F & H only.
- O-Ring not supplied with Connector Designator A.

Dimensions in Inches (millimeters) are subject to change without notice.

317-102 EMI/RFI Environmental Piggyback Boot Adapter, Composite with Drop-In Banding Porch



Piggyback Shrink Boot Connector Adapters

Table III: Key Dimensions

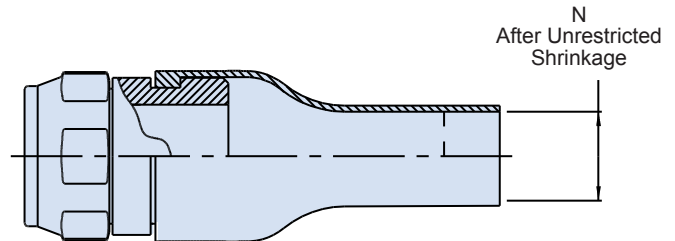
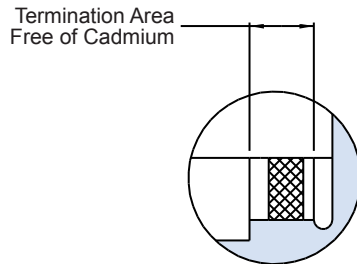
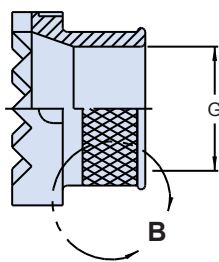
Connector Designator A			Connector Designator F			Connector Designator H			Ø B Ref.
Dash No.	Shell Size Ref.	A Thread Class 2B	Dash No.	Shell Size Ref.	A Thread Class 2B	Dash No.	Shell Size Ref.	A Thread ISO Metric	
08	08	1/2-20 UNF	08	08	7/16-28 UNEF	09	A	M12 X 1.0-6H	.812 (20.6)
10	10	5/8-24 UNEF	10	12	9/16-24 UNEF	11	B	M15 X 1.0-6H	.938 (23.8)
12	12	3/4-20 UNEF	12	12	11/16-24 UNEF	13	C	M18 X 1.0-6H	1.125 (28.6)
14	14	7/8-20 UNEF	14	14	13/16-20 UNEF	15	D	M22 X 1.0-6H	1.250 (31.8)
16	16	1-20 UNEF	16	16	15/16-20 UNEF	17	E	M25 X 1.0-6H	1.375 (34.9)
18	18	1 1/16-18 UNEF	18	18	1 1/16-18 UNEF	19	F	M28 X 1.0-6H	1.500 (38.1)
20	20	1 3/16-18 UNEF	20	20	1 3/16-18 UNEF	21	G	M31 X 1.0-6H	1.625 (41.3)
22	22	1 5/16-18 UNEF	22	22	1 5/16-18 UNEF	23	H	M34 X 1.0-6H	1.750 (44.5)
24	24	1 7/16-18 UNEF	24	24	1 7/16-18 UNEF	25	J	M37 X 1.0-6H	1.875 (47.6)

Table III: Key Dimensions (CON" T)

Dash No.	C Flats		Ø G	M Min	N Max
	Max	Min			
08	.750 (19.1)	.736 (18.7)	.140 (3.60)	.250 (6.40)	.197 (5.00)
10	.875 (22.2)	.860 (21.8)	.270 (6.90)	.355 (9.00)	.197 (5.00)
12	1.000 (25.4)	.980 (24.9)	.390 (9.90)	.491 (12.5)	.236 (6.00)
14	1.125 (28.6)	1.100 (27.9)	.512 (13.0)	.565 (17.5)	.236 (6.00)
16	1.250 (31.8)	1.224 (31.1)	.637 (16.2)	.690 (19.5)	.276 (7.01)
18	1.375 (34.9)	1.348 (34.2)	.757 (19.2)	.769 (21.4)	.335 (8.51)
20	1.500 (38.1)	1.469 (37.3)	.881 (22.4)	.894 (22.7)	.394 (10.0)
22	1.625 (41.3)	1.581 (40.2)	1.006 (25.6)	1.019 (25.9)	.394 (10.0)
24	1.750 (44.5)	1.690 (42.9)	1.131 (28.7)	1.134 (28.8)	.591 (15.0)

Table II: Backshell Finish Options

Sym	Finish Description
XB	Electroless Nickel
XMT	Ni-PTFE, Nickel-Fluorocarbon Polymer
XN	Selective Plating, Nickel and Cadmium Olive Drab (See Detail B)



DROP-IN BANDING ADAPTER

**DETAIL B
FINISH XN**

Table IV: Boot Material Selection Guide

Attribute	Type 1 High-Performance Semi-Rigid Elastomer	Type 2 Zero-Halogen Semi-Rigid Polyolefin	Type 3 General Purpose Flexible Polyolefin
Continuous Operating Temp.	-75° to +150° c	-30° to +135° c	-55° to +135° c
Resistance To Fuels, Oils	Excellent	Very Good	Good
Low Toxicity, Zero Halogen	No	Yes	No

Dimensions in Inches (millimeters) are subject to change without notice.